



Dell™ Systems

Rack Installation Guide



Notes, Notices, and Cautions

 **NOTE:** A NOTE indicates important information that helps you make better use of your computer.

 **NOTICE:** A NOTICE indicates either potential damage to hardware or loss of data and tells you how to avoid the problem.

 **CAUTION:** A CAUTION indicates a potential for property damage, personal injury, or death.

Information in this document is subject to change without notice.
© 2002 Dell Computer Corporation. All rights reserved.

Reproduction in any manner whatsoever without the written permission of Dell Computer Corporation is strictly forbidden.

Trademarks used in this text: *Dell*, the *DELL* logo, *VersaRails*, and *RapidRails* are trademarks of Dell Computer Corporation.

Other trademarks and trade names may be used in this document to refer to either the entities claiming the marks and names or their products. Dell Computer Corporation disclaims any proprietary interest in trademarks and trade names other than its own.

February 2002 P/N 5G382 Rev. A00

Contents

Safety Instructions	1-1
Installation Instructions	1-2
Four-Post Rack Installation	1-3
Before You Begin	1-3
Installation Tasks	1-4
Recommended Tools and Supplies	1-4
RapidRails Rack Kit Contents	1-4
VersaRails Rack Kit Contents	1-5
Removing the Rack Doors	1-6
Marking the Rack	1-6
Installing the RapidRails Slide Assemblies	1-8
Installing the VersaRails Slide Assemblies	1-10
Installing the System in the Rack	1-12
Installing the Cable-Management Arm	1-14
Routing Cables	1-16
Replacing the Rack Doors	1-17
Two-Post Rack Installation	1-18
Two-Post Rack Installation Tasks	1-18
Recommended Tools and Supplies	1-19
Rack Kit Contents	1-19
Marking the Rack	1-20
Installing the Slide Assemblies in the Rack	1-22
Installing the System in the Rack	1-27
Installing the Cable-Management Arm	1-27
Routing Cables	1-27

Index

Figures

Figure 1-1.	RapidRails Rack Kit Contents	1-5
Figure 1-2.	VersaRails Rack Kit Contents	1-6
Figure 1-3.	One Rack Unit.	1-7
Figure 1-4.	Marking the Vertical Rails	1-8
Figure 1-5.	Installing the RapidRails Slide Assemblies	1-9
Figure 1-6.	Installing the VersaRails Slide Assemblies	1-11
Figure 1-7.	Installing the System in the Rack (RapidRails or VersaRails)	1-13
Figure 1-8.	Installing the Cable-Management Arm.	1-14
Figure 1-9.	Installing the Cable-Management Arm.	1-15
Figure 1-10.	Routing the Power Cords	1-16
Figure 1-11.	Routing Cables	1-17
Figure 1-12.	Two-Post Rack Kit Components	1-19
Figure 1-13.	Two-Post, Open-Frame Relay Rack Universal-Hole Spacing.	1-20
Figure 1-14.	Two-Post, Open-Frame Relay Rack Wide-Hole Spacing	1-21
Figure 1-15.	Installing the Slide Assemblies for Center-Mount Configuration	1-23
Figure 1-16.	Rotating the Front Mounting Bracket for Flush-Mount Installation	1-25
Figure 1-17.	Installing the Slide Assemblies for Flush-Mount Configuration	1-26

Safety Instructions

Use the following safety guidelines to ensure your own personal safety and to help protect your server, storage system, or appliance from potential damage. For complete safety and regulatory information, refer to your *System Information* document. Warranty information might be included within this document or as a separate document.


CAUTION: Precautions for Rack-Mountable Products

Observe the following precautions for rack stability and safety. Also refer to the rack installation documentation accompanying the system and the rack for specific warning and/or caution statements and procedures.

Servers, storage systems, and appliances are considered to be components in a rack. Thus, "component" refers to any server, storage system, or appliance, as well as to various peripherals or supporting hardware.

CAUTION: Installing system components in a rack without the front and side stabilizers installed could cause the rack to tip over, potentially resulting in bodily injury under certain circumstances. Therefore, always install the stabilizers before installing components in the rack.

After installing system/components in a rack, never pull more than one component out of the rack on its slide assemblies at one time. The weight of more than one extended component could cause the rack to tip over and injure someone.

 **NOTE:** Your system is safety-certified as a free-standing unit and as a component for use in a rack cabinet using the customer rack kit when both the rack cabinet and rack kit were designed for your system. The installation of your system and rack kit in any other rack cabinet has not been approved by any safety agencies. It is your responsibility to have the final combination of system and rack kit in a cabinet evaluated for suitability by a certified safety agency. The manufacturer disclaims all warranties and liability in connection with such combinations.

- System rack kits are intended to be installed in an approved rack by trained service technicians. If you install the kit in any other rack, be sure that the rack meets the specifications.

CAUTION: Do not move large racks by yourself. Due to the height and weight of the rack, it is recommended that a minimum of two people perform this task.

- Before working on the rack, make sure that the stabilizers are secured to the rack, extend to the floor, and that the full weight of the rack rests on the floor. Install front and side stabilizers on a single rack or front stabilizers for joined multiple racks before working on the rack.

- Always load the rack from the bottom up, and load the heaviest item in the rack first.
- Make sure that the rack is level and stable before extending a component from the rack.
- Use caution when pressing the component rail release latches and sliding a component into or out of a rack; the slide rails can pinch your fingers.
- After a component is inserted into the rack, carefully extend the rail into a locking position, and then slide the component into the rack.
- Do not overload the power supply branch circuit that provides power to the rack. The total rack load should not exceed 80 percent of the branch circuit rating.
- Ensure that proper airflow is provided to components in the rack.
- Do not step on or stand on any system/component when servicing other systems/components in a rack.

Installation Instructions


This installation guide provides instructions for trained service technicians installing one or more systems in an open-frame relay rack or in a rack cabinet. The RapidRails™ rack kit can be installed in all the manufacturer's rack cabinets without tools, and the VersaRails™ rack kit can be installed in most industry-standard rack cabinets. The procedures for installing both RapidRails and VersaRails rack kits are similar. One rack kit is required for each system to be installed in the rack cabinet.

This guide includes procedures for the following rack kits:


- RapidRails kit in a four-post rack cabinet
- VersaRails kit in a four-post rack cabinet
- Two-post kit (installed in either center-mount or flush-mount configuration, for 3- or 6-inch-wide racks)

For ease in troubleshooting and the identification of system health, these rack kits include a status-indicator cable that extends the information on the two-color status indicators on the front and back panels to the back of the cable-management arm. For more information on these indicators, your system *User's Guide*.

Before attempting this installation, you should read through this entire document carefully.

 **CAUTION: Do not install rack kit components designed for another system. Use only the rack kit for your system. Using the rack kit for another system may result in damage to the system and personal injury to yourself and to others.**

Rack Requirements for VersaRails



-  **NOTICE:** The VersaRails rack kit is intended to be installed by trained service technicians in a rack that meets the specifications of American National Standards Institute (ANSI)/Electronic Industries Association (EIA) standard ANSI/EIA-310-D-92, International Electrotechnical Commission (IEC) 297, and Deutsche Industrie Norm (DIN) 41494. One rack kit is required for each system that is installed in a rack.

Four-Post Rack Installation

Before attempting this installation, you should read through this entire procedure carefully.


Before You Begin

Before you begin installing your system in the rack, carefully read "Safety Instructions," found earlier in this guide, as well as the safety instructions found in your system's *System Information* document for additional information.


-  **CAUTION:** When installing multiple systems in a rack, complete all of the procedures for the current system before attempting to install the next system.
-  **CAUTION:** Rack cabinets can be extremely heavy and move easily on the casters. The cabinet has no brakes. Use extreme caution while moving the rack cabinet. Retract the leveling feet when relocating the rack cabinet. Avoid long or steep inclines or ramps where loss of cabinet control may occur. Extend the leveling feet for support and to prevent the cabinet from rolling.


Important Safety Information

Observe the safety precautions in the following subsections when installing your system in the rack.

-  **CAUTION:** You must strictly follow the procedures in this document to protect yourself as well as others who may be involved. Your system may be very large and heavy, and proper preparation and planning are important to prevent injury to yourself and to others. This becomes increasingly important when systems are installed high up in the rack.

Rack Stabilizer Feet

-  **CAUTION:** Installing systems in a rack without the front and side stabilizer feet installed could cause the rack to tip over, potentially resulting in bodily injury under certain circumstances. Therefore, always install the stabilizer feet before installing components in the rack.

 **CAUTION: After installing systems in a rack, never pull more than one system out of the rack on its slide assemblies at one time. The weight of more than one extended system could cause the rack to tip over and cause injury.**

The stabilizer feet help prevent the rack from tipping over when a system or other component is pulled out of the rack with the slide assemblies fully extended. Refer to the documentation provided with the rack cabinet for instructions on installing and anchoring the stabilizer feet.

Installation Tasks

Installing a rack kit involves performing the following tasks in their numbered order:

- 1 Removing the rack doors
- 2 Marking the rack
- 3 Installing the slide assemblies in the rack:
 - RapidRails installation
 - VersaRails installation
- 4 Installing the system in the rack
- 5 Installing the cable-management arm
- 6 Routing cables
- 7 Replacing the rack doors

Recommended Tools and Supplies

You may need the following tools and supplies to install the system in a four-post rack:

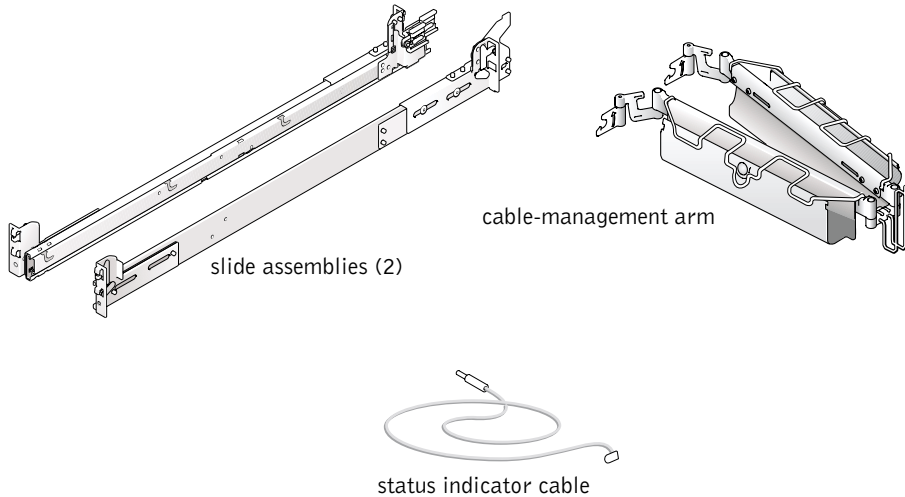
- A #2 Phillips screwdriver (for installing VersaRails slide assemblies)
- Masking tape or a felt-tip pen, for use in marking the mounting holes to be used

RapidRails Rack Kit Contents

The RapidRails rack kit includes the following items (see Figure 1-1):

- One pair of RapidRails slide assemblies
- One cable-management arm
- One status indicator cable
- Tie-wraps

Figure 1-1. RapidRails Rack Kit Contents

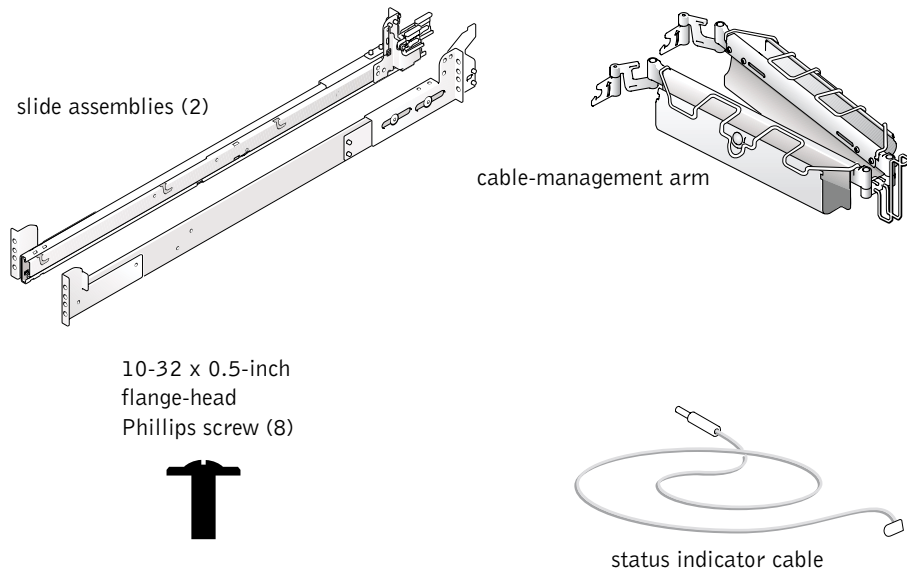


VersaRails Rack Kit Contents

The VersaRails rack kit includes the following items (see Figure 1-2):

- One pair of VersaRails slide assemblies
- One cable-management arm
- One status indicator cable
- Eight 10-32 x 0.5-inch flange-head Phillips screws
- Tie-wraps

NOTE: The nonmetric screws described in illustrations and in procedural steps are identified by size and number of threads per inch. For example, a #10 Phillips-head screw with 32 threads per inch is identified as a 10-32 screw.

Figure 1-2. VersaRails Rack Kit Contents

Removing the Rack Doors

See the procedures for removing doors in the documentation provided with your rack cabinet.

⚠ CAUTION: Because of the size and weight of the rack cabinet doors, never attempt to remove or install them by yourself.

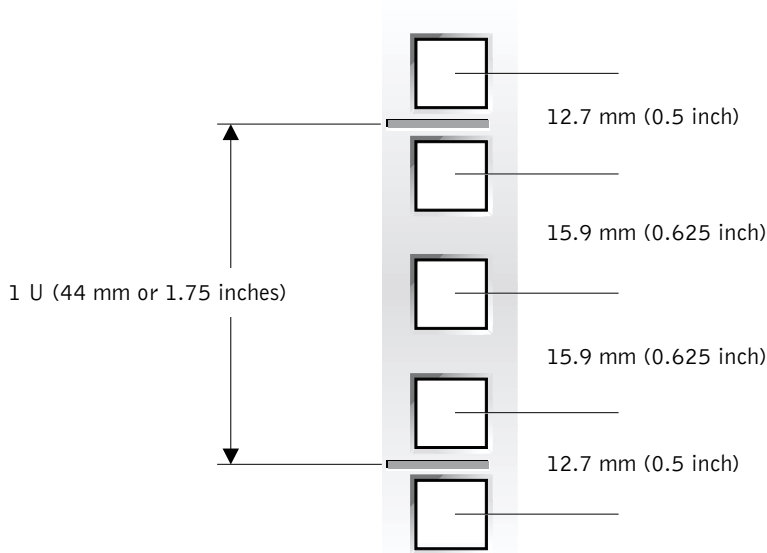
⚠ CAUTION: Store the two doors where they will not injure someone if the doors accidentally fall over.

Marking the Rack

You must allow 2 U (88 mm, or 3.5 inches) of vertical space for each system you install in the rack. Rack cabinets that meet EIA-310 standards have an alternating pattern of three holes per rack unit with center-to-center hole spacing (beginning at the top hole of a 1-U space) of 15.9 mm, 15.9 mm, and 12.7 mm (0.625 inch, 0.625 inch, and 0.5 inch) for the front and back vertical rails (see Figure 1-3). Rack cabinets may have round or square holes.

NOTE: The vertical rails may be marked by horizontal lines and numbers in 1-U increments. If you wish, you can make a note of the number marking on the rack's vertical rail. It is not necessary to mark or place tape on the rack. If you choose this method, skip ahead to the procedure "Installing the RapidRails Slide Assemblies."

Figure 1-3. One Rack Unit



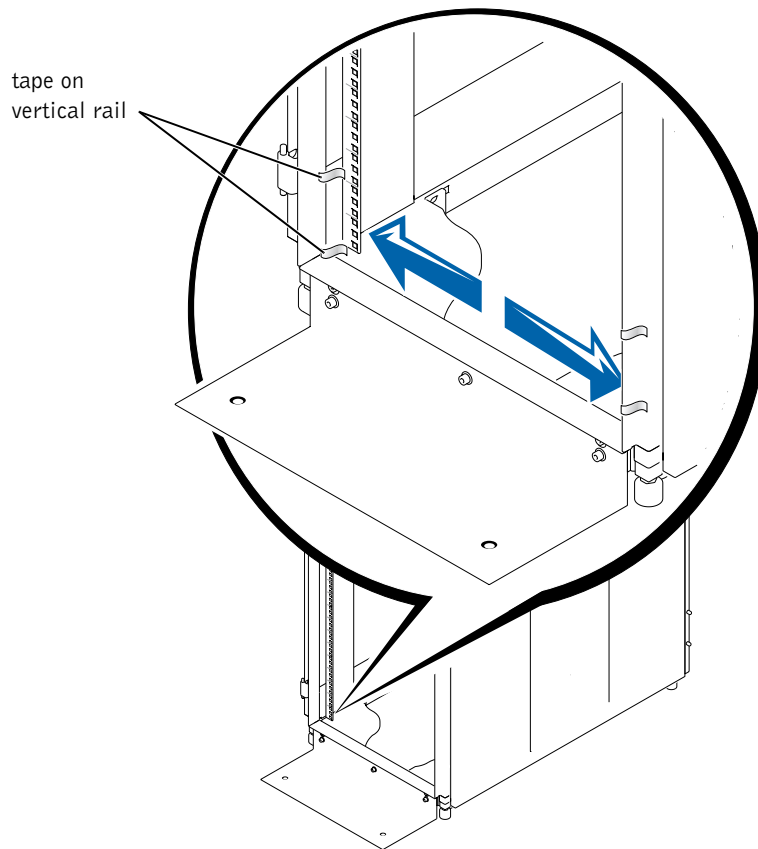
CAUTION: If you are installing more than one system, install the slide assemblies so that the first system is installed in the lowest available position in the rack.

To mark the rack, perform the following steps:

- 1 Place a mark on the rack's front vertical rails where you want to locate the bottom of the system you are installing in the rack cabinet.

The bottom of each 1-U space is at the middle of the narrowest metal area between holes (marked with a horizontal line on some rack cabinets—see Figure 1-4).

- 2 Place a mark 88 mm (3.5 inches) above the original mark you made (or count up six holes in a rack that meets EIA-310 standards) and mark the rack's front vertical rails with a felt-tipped pen or masking tape (if you counted holes, place a mark just above the top hole). This mark or piece of tape indicates where the system's upper edge will be located on the vertical rails (see Figure 1-4).

Figure 1-4. Marking the Vertical Rails

Installing the RapidRails Slide Assemblies

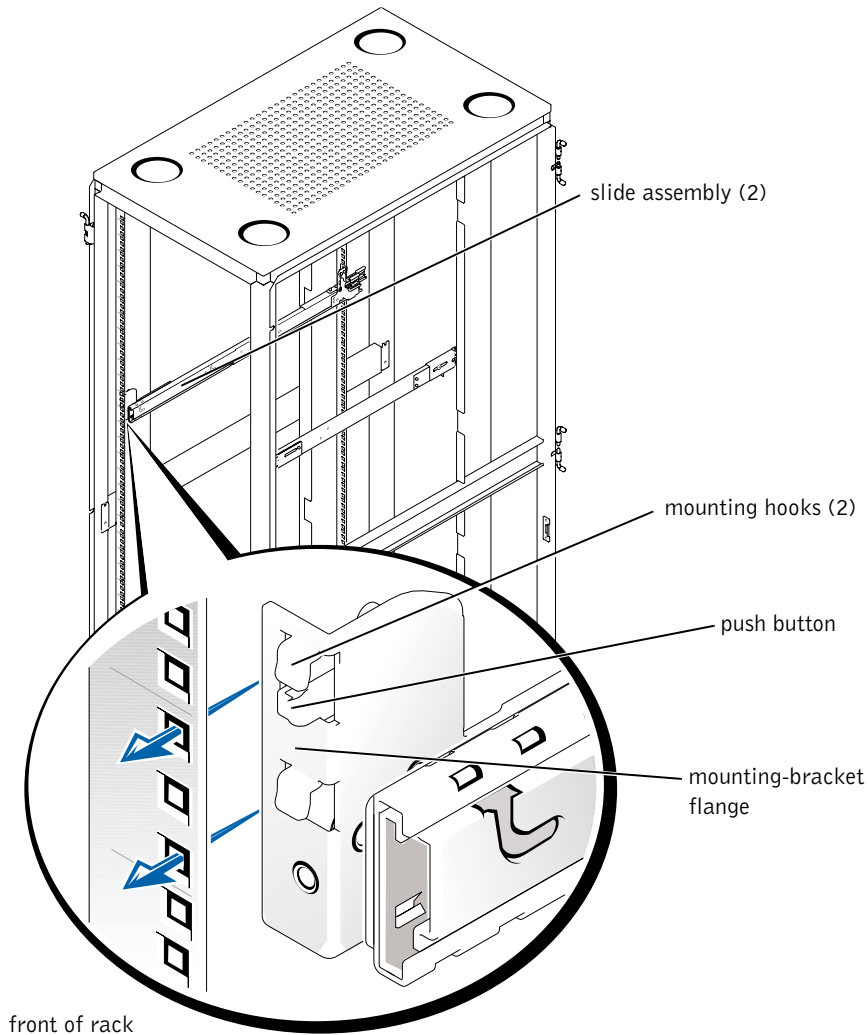
- 1 At the front of the rack cabinet, position one of the RapidRails slide assemblies so that its mounting-bracket flange fits between the marks or tape you placed on the rack (see Figure 1-5).

The top mounting hook on the slide assembly's front mounting bracket flange should enter the top hole between the marks you made on the vertical rails.

- 2 Push the slide assembly forward until the top mounting hook enters the top square hole that you placed a mark just above on the vertical rail, and then push down on the mounting-bracket flange until the mounting hooks seat in the square holes and the push button pops out and clicks (see Figure 1-5).

- 3 At the back of the cabinet, pull back on the mounting-bracket flange until the top mounting hook is in the top square hole, and then push down on the flange until the mounting hooks seat in the square holes and the push button pops out and clicks.
- 4 Repeat steps 1 through 3 for the slide assembly on the other side of the rack.
- 5 Ensure that the rails are mounted at the same vertical position on both sides of the rack.

Figure 1-5. Installing the RapidRails Slide Assemblies



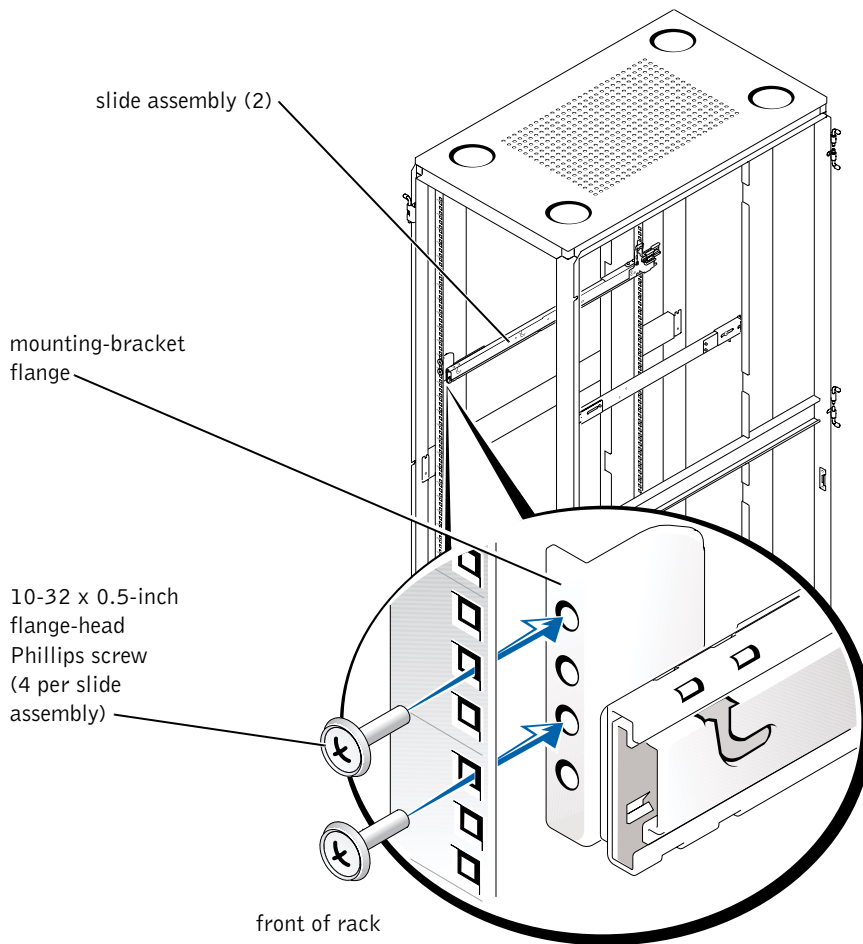
Installing the VersaRails Slide Assemblies

- 1** At the front of the rack cabinet, position one of the VersaRails slide assemblies so that its mounting-bracket flange fits between the marks or tape (or numbered location) on the rack (see Figure 1-6).


The four holes on the front of the mounting bracket should align with four of the holes between the marks you made on the front vertical rail.

- 2** Install two 10-32 x 0.5-inch flange-head Phillips screws in the mounting flange's top hole and the third-from-top hole to secure the slide assembly to the front vertical rail (see Figure 1-6).
- 3** At the back of the cabinet, pull back on the mounting-bracket flange until the mounting holes align with their respective holes on the back vertical rail.
- 4** Install two 10-32 x 0.5-inch flange-head Phillips screws in the back mounting flange's top and third-from-top holes to secure the slide assembly to the back vertical rail.
- 5** Repeat steps 1 through 4 for the slide assembly on the other side of the rack.
- 6** Ensure that the slide assemblies are mounted at the same position on the vertical rails on each side of the rack.

Figure 1-6. Installing the VersaRails Slide Assemblies




Installing the System in the Rack

 **CAUTION:** If you are installing more than one system, install the first system in the lowest available position in the rack.

 **CAUTION:** Never pull more than one component out of the rack at a time.

- 1 Pull the two slide assemblies out of the rack until they lock in the fully extended position.

 **CAUTION:** Because of the size and weight of the system, never attempt to install the system in the slide assemblies by yourself.

- 2 Lift the system into position in front of the extended slides.
- 3 Place one hand on the front-bottom of the system and the other hand on the back-bottom of the system.
- 4 Tilt the back of the system down while aligning the back shoulder screws on the sides of the system with the back slots on the slide assemblies.
- 5 Engage the back shoulder screws into their slots.
- 6 Lower the front of the system and engage the front and middle shoulder screws in their slots (the middle slot is just behind the yellow system release latch) (see Figure 1-7).

When all shoulder screws are properly seated, the yellow latch on each slide assembly clicks and locks the system into the slide assembly.

- 7 Press up on the green slide release latch at the side of each slide to slide the system completely into the rack (see Figure 1-7).
- 8 Push in and turn the captive thumbscrews on each side of the front chassis panel to secure the system to the rack.


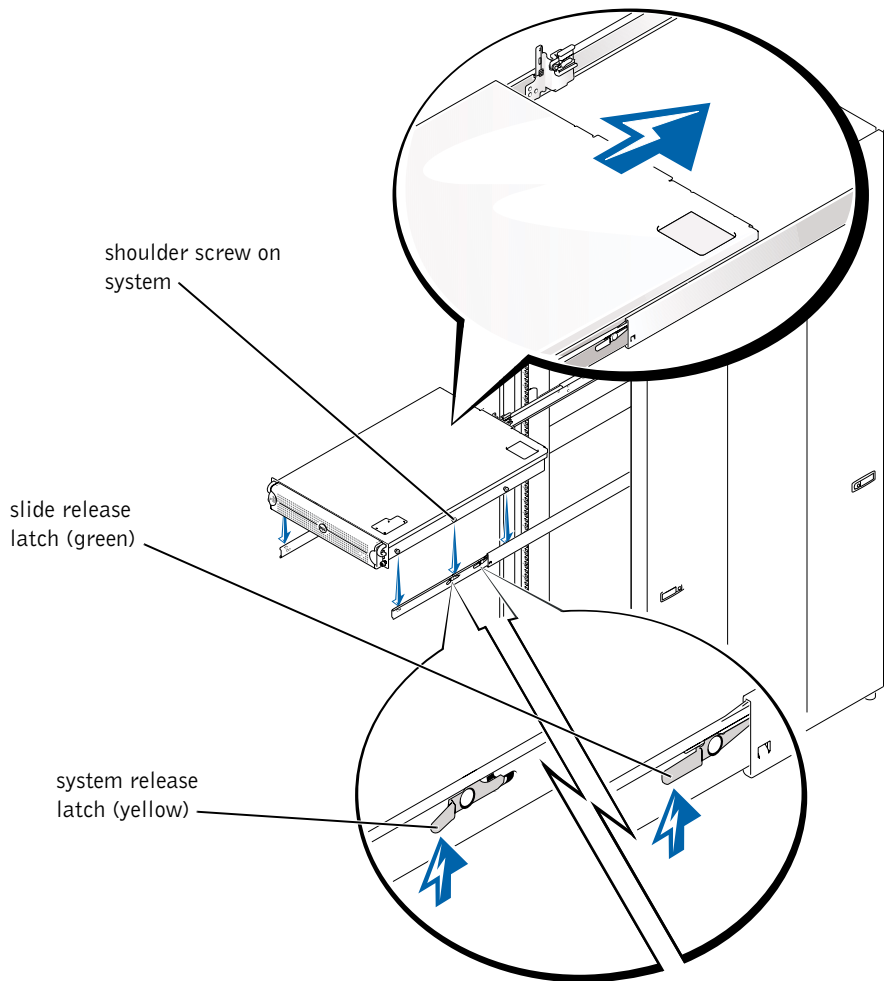
 **NOTE:** Use the yellow system release latch whenever you wish to remove the system from the slide assemblies.

Figure 1-7. Installing the System in the Rack (RapidRails or VersaRails)



Installing the Cable-Management Arm

➔ **NOTICE:** The cable-management arm can only be installed on the right side of the rack cabinet (as viewed from the back).

To install the cable-management arm on the system, perform the following steps:

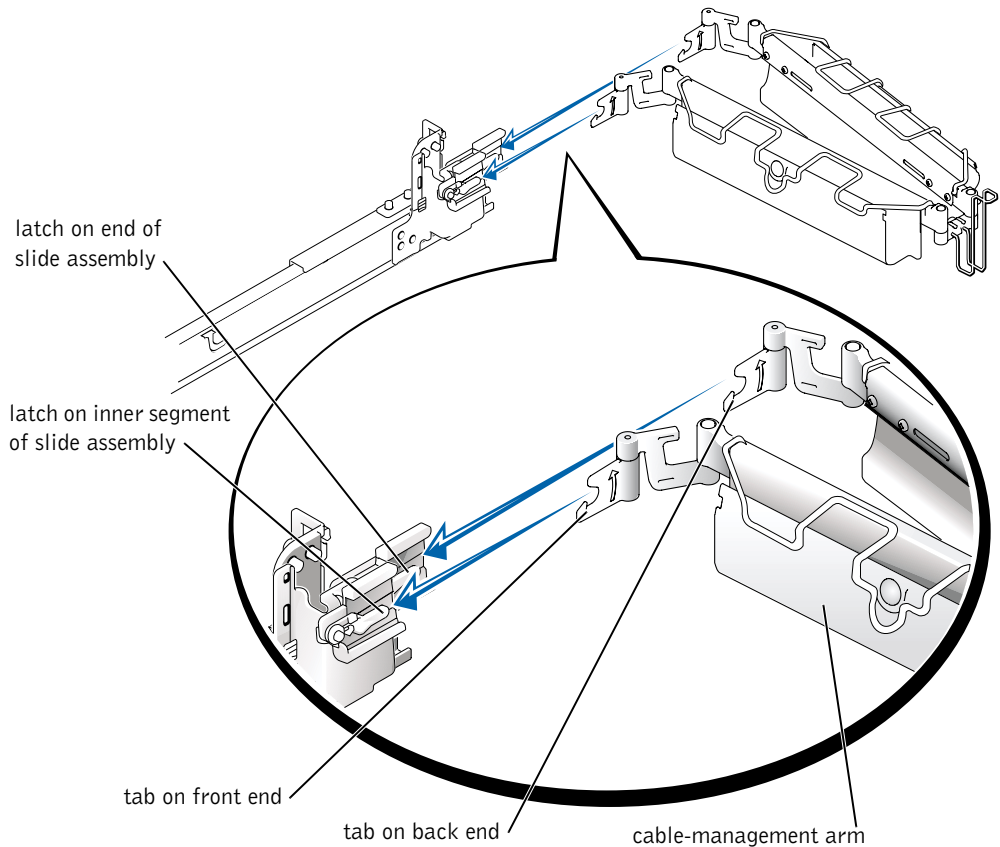
- 1 Facing the back of the rack cabinet, locate the latch on the end of the slide assembly.
- 2 Push the tab on the back end of the cable-management arm into the latch on the end of the slide assembly (see Figure 1-8).

The latch clicks when locked.

- 3 Push the tab on the front end of the cable-management arm into a mating latch on the inner segment of the slide assembly (see Figure 1-8).

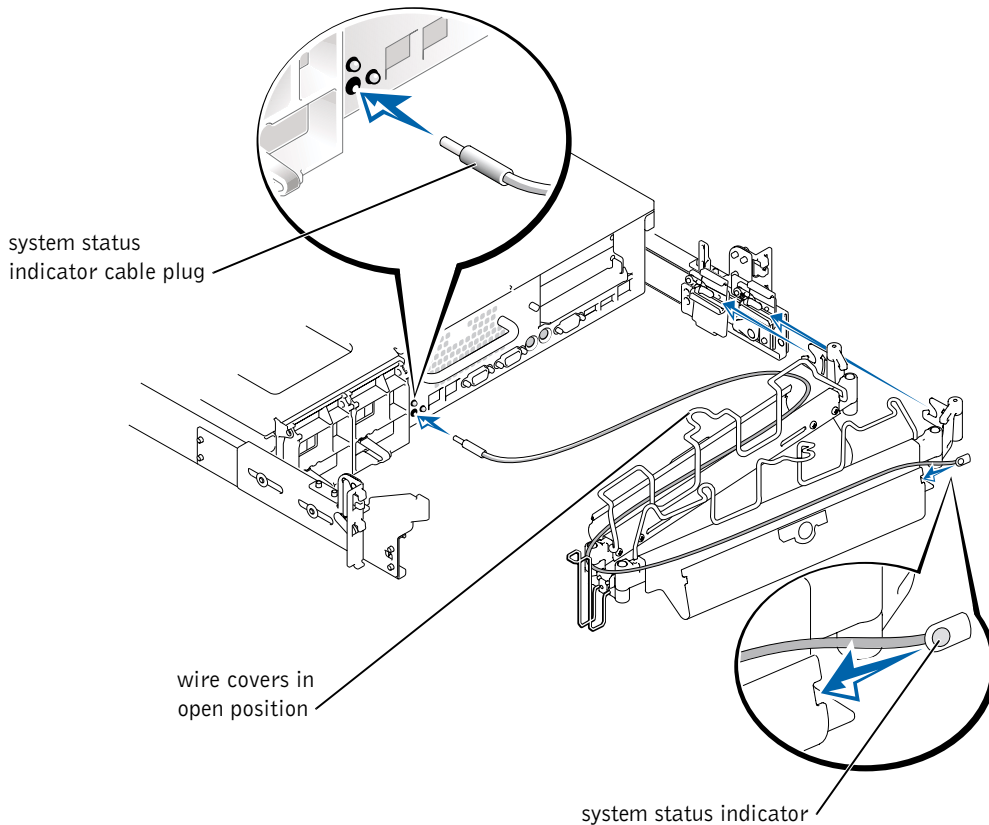
The latch clicks when locked.

Figure 1-8. Installing the Cable-Management Arm



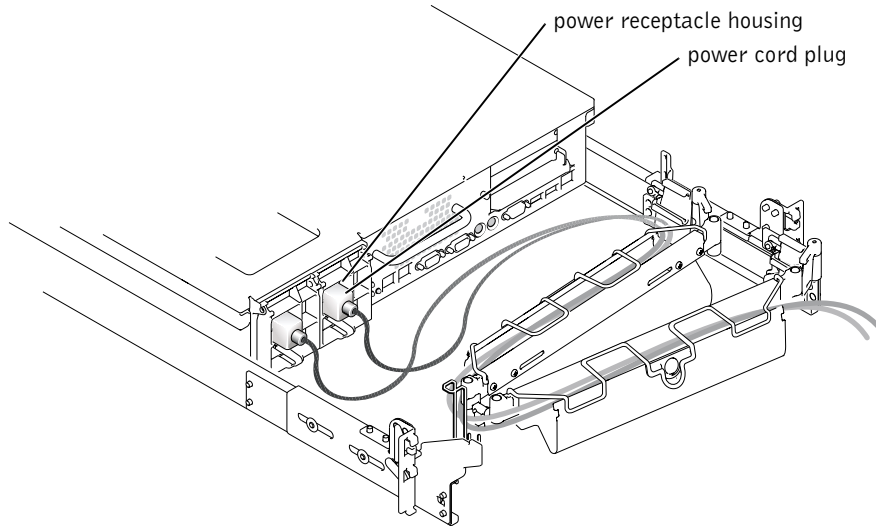
- 4 Install the system status indicator cable plug into its connector (see Figure 1-9).
- 5 Open the wire covers on the cable-management arm by lifting the center of the wire over the top of the embossed round button on the front of the forward part of the arm and lifting the wire over the top of a similar round button on the back part of the arm.
The wire cover swings open to enable cables to be routed within the arm.
- 6 Route the system status indicator end of the cable through the cable-management arm, and install the indicator in its slot at the back end of the cable-management arm (see Figure 1-9).

Figure 1-9. Installing the Cable-Management Arm



- 7 Connect the power cords to their receptacles on the back panel (see Figure 1-10).

Figure 1-10. Routing the Power Cords



⚠ CAUTION: Allow some slack in each cable as you route them around hinges in the cable-management arm.

Routing Cables

- 1 Attach the I/O cable connectors to their respective connectors on the system back panel.

For details on cable connections, see your system's *Installation and Troubleshooting Guide* and the *User's Guide*.

- 2 Route the power and I/O cables through the cable-management arm, using four loosely secured tie-wraps (two in the middle and one on each end of the cable-management arm). Do not fully tighten the tie-wraps at this time (see Figure 1-11).

Allow some cable slack in the cable-management arm to prevent damage to the cables.

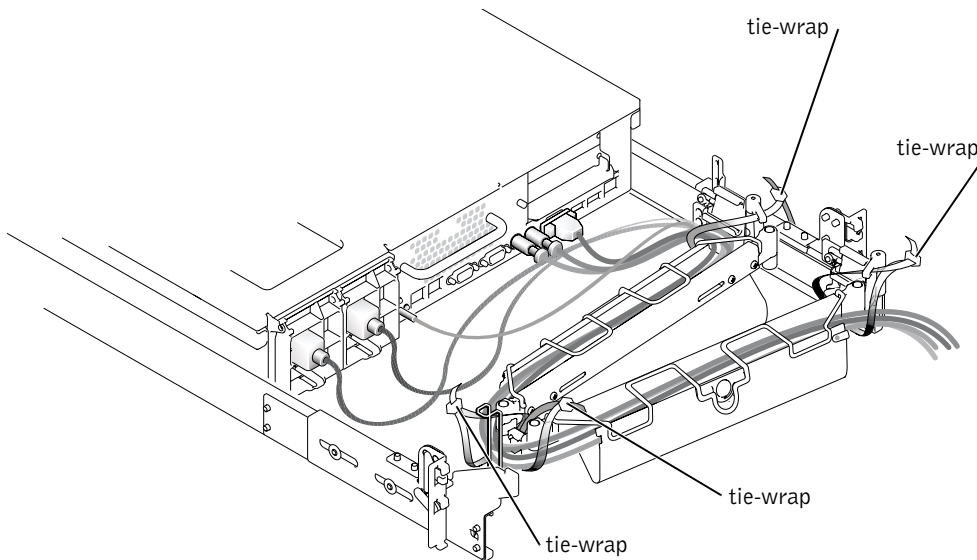
- 3 Secure the cables to the cable-management arm:
 - a After connecting the cables to the system, unscrew the thumbscrews that secure the front of the system to the front vertical rail.
 - b Slide the system forward to the fully extended position.

- c Route the cables along the cable-management arm, make any adjustments needed to the cable slack at the hinge positions, secure the cables to the cable-management arm with the tie-wraps, and close the wire covers over the cable-management arm.

NOTE: As you pull the system out to its furthest extension, the slide assemblies will lock in the extended position. To push the system back into the rack, press the slide release latch on the side of the slide, and then slide the system completely into the rack.

- 4 Slide the system in and out of the rack to verify that the cables are routed correctly and do not bind, stretch, or pinch with the movement of the cable-management arm.
- 5 Tighten the tie-wraps just enough to ensure that the cable slack is neither too tight to cause excessive pinching nor too loose, yet keep the cables from slipping as the system is moved in and out of the rack.

Figure 1-11. Routing Cables



Replacing the Rack Doors

Refer to the procedures for replacing doors in the documentation provided with your rack.


CAUTION: Because of the size and weight of the rack cabinet doors, never attempt to remove or install them by yourself.

This completes the rack installation of your system in a four-post rack cabinet.

Two-Post Rack Installation

The two-post rack kit is used to install a system in a two-post, open-frame relay rack, such as those found in telecommunications equipment facilities. Both 3-inch and 6-inch wide two-post racks with universal-hole spacing or wide-hole spacing are accommodated. You can install this kit in a center-mount or a flush-mount configuration. The two-post kit incorporates slide assemblies that enable the system to be pulled out of the rack for servicing.

You must properly secure the two-post, open-frame relay rack to the floor, the ceiling or upper wall, and where applicable, to adjacent racks, using floor and wall fasteners and bracing specified or approved by the rack manufacturer or by industry standards. See the two-post, open-frame relay rack manufacturer's installation documentation for precautionary warnings before attempting this installation.

 **CAUTION: Do not attempt to install the system into a two-post, open-frame relay rack that has not been securely anchored in place. Damage to the system and personal injury to yourself and to others may result.**

See "Safety Instructions" at the front of this document for additional safety information regarding rack installation.

Two-Post Rack Installation Tasks

Installing a two-post rack kit includes performing the following tasks in their numbered order:

- 1 Marking the rack
- 2 Installing the slide assemblies in the rack:
 - Center mount installation
 - Flush mount installation
- 3 Installing the system in the rack
- 4 Installing the cable-management arm
- 5 Routing cables

Recommended Tools and Supplies

You need the following tools and supplies to install the system in a two-post open-frame relay rack:

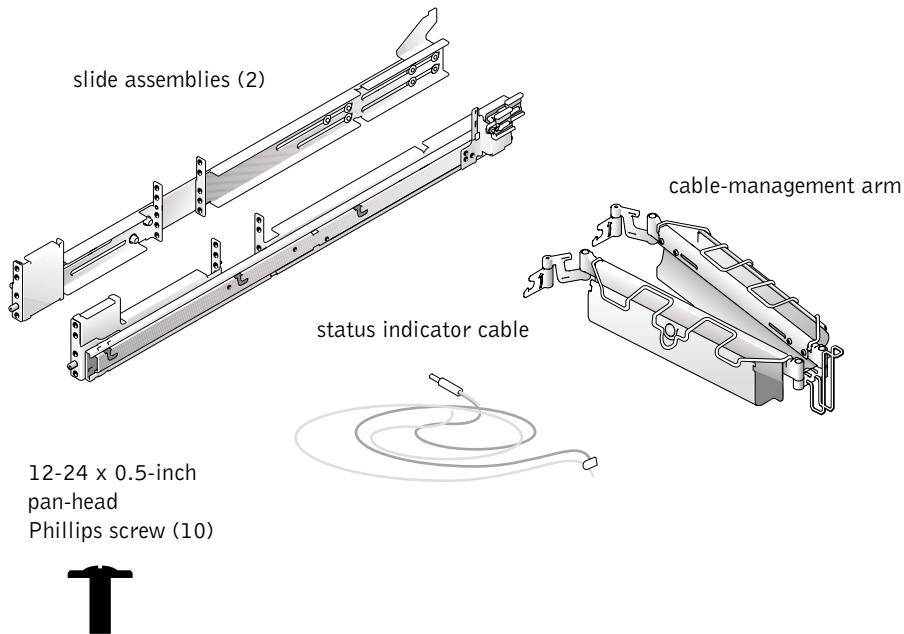
- #2 Phillips screwdriver
- 11/32-inch wrench or nut driver (if changing to a flush-mount configuration)
- Masking tape or felt-tip pen to mark the mounting holes

Rack Kit Contents

The two-post rack kit includes the following items (see Figure 1-12):

- One pair of slide assemblies (two-post)
- One cable-management arm
- One status indicator cable
- Ten 12-24 x 0.5-inch pan-head Phillips screws
- Tie-wraps

Figure 1-12. Two-Post Rack Kit Components



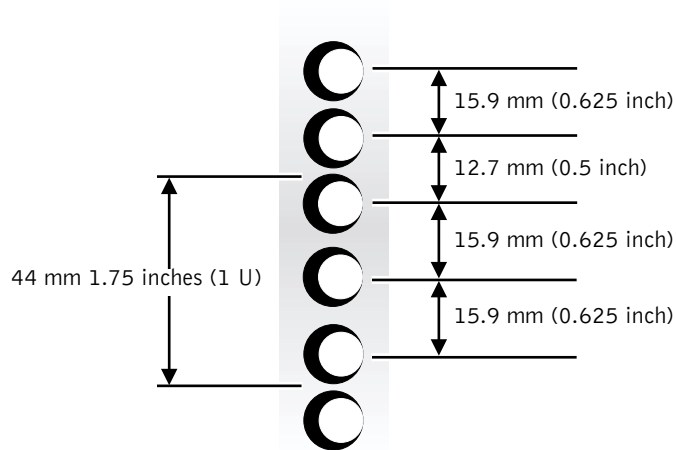
Marking the Rack

You must allow 2 U (88 mm or 3.5 inches) of vertical space for each system you install in the two-post rack.

Universal-Hole Spacing Racks

Industry-standard two-post racks with universal-hole spacing have an alternating pattern of three holes per U with center-to-center hole spacing (beginning at the top hole of a 1-U space) of 15.9 mm, 15.9 mm, and 12.7 mm (0.625 inch, 0.625 inch, and 0.5 inch) for the front and back vertical column of holes (see Figure 1-13).

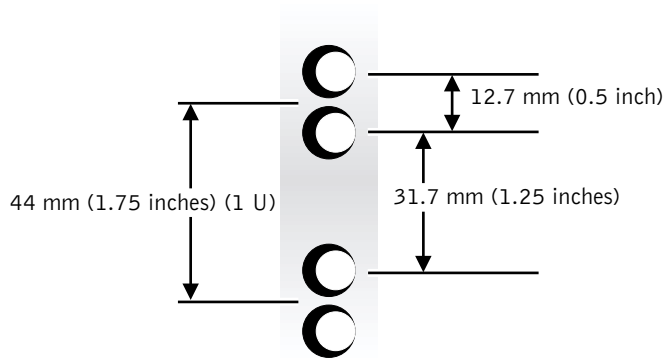
Figure 1-13. Two-Post, Open-Frame Relay Rack Universal-Hole Spacing



Wide-Hole Spacing Racks

Some two-post racks with wide-hole spacing have an alternating pattern of two holes per U with center-to-center hole spacing (beginning at the top hole of a 1-U space) of 31.7 mm and 12.7 mm (1.25 inches and 0.5 inch) for the front and back vertical column of holes (see Figure 1-14).


Figure 1-14. Two-Post, Open-Frame Relay Rack Wide-Hole Spacing



To mark the rack, perform the following steps:


- 1 Place a mark on the rack's front vertical rails where you want to locate the bottom of the system you are installing in the two-post rack.

The bottom of each 1-U space is at the middle of the narrowest metal area between holes.

 **NOTE:** If your rack has wide-hole spacing, go to step 3.

- 2 Place a mark 88 mm (3.5 inches) above the original mark you made (or count up six holes in a rack with universal-hole spacing (see Figure 1-13).

Each 1-U (44 mm, or 1.75 inches) of vertical space on a rack with universal-hole spacing has three holes with center-to-center spacing between holes (beginning at the top of a 1-U space) of 0.625, 0.625, and 0.5 inches (see Figure 1-13).


 **NOTE:** If your rack has universal-hole spacing, you have completed the procedure for marking the rack.

- 3 Place a mark 88 mm (3.5 inches) above the original mark you made (or count up to the fourth hole in the rack with wide-hole spacing (see Figure 1-14).

Each 1-U (44 mm, or 1.75 inches) of vertical space on a rack with wide-hole spacing has two holes with center-to-center spacing between holes (beginning at the top of a 1-U space) of 31.7 mm (1.25 inches) (see Figure 1-14).

Installing the Slide Assemblies in the Rack

You can install the slide assemblies in a two-post open-frame rack having either universal-hole spacing (see Figure 1-13) or wide-hole spacing (see Figure 1-14). You can install the 2-U slide assemblies in either a flush-mount or center-mount configuration.

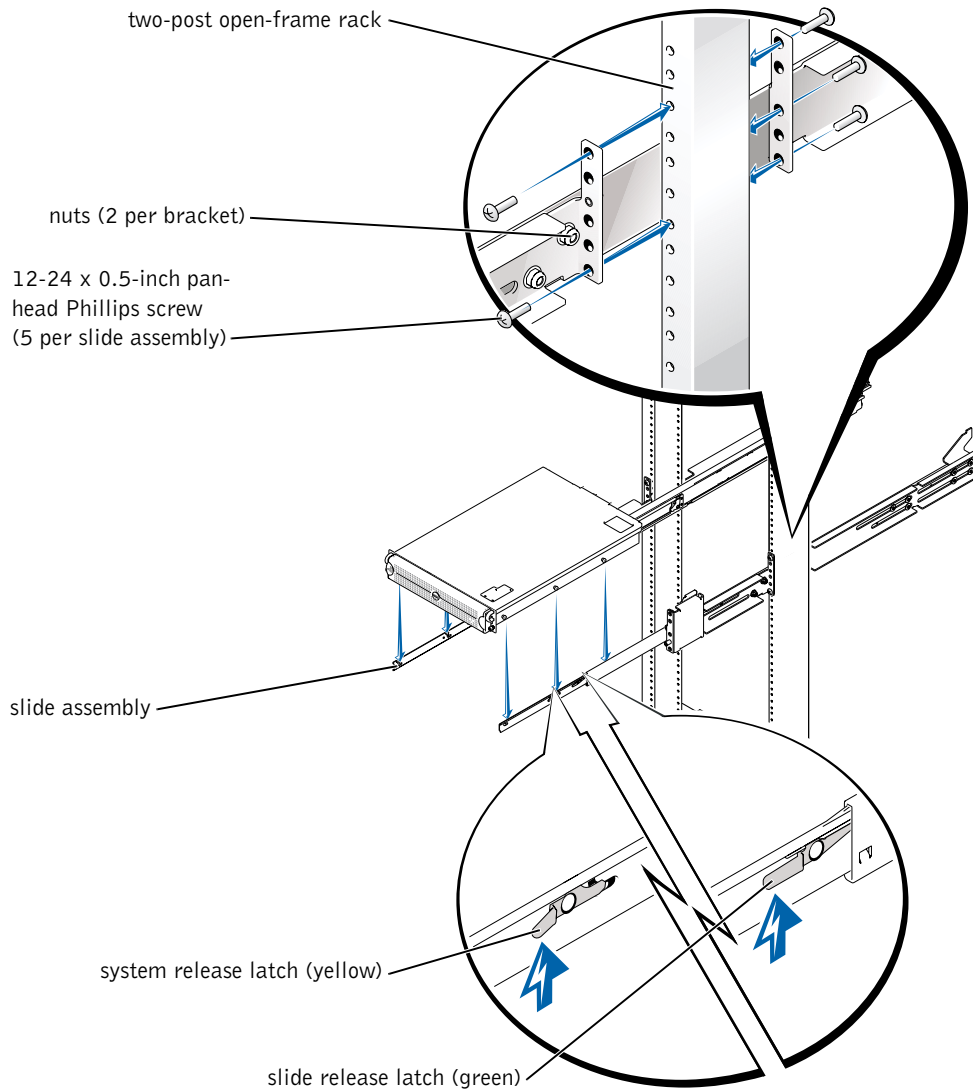
 **CAUTION: Do not attempt to install another system using this rack kit. Use only the rack kit intended for your system. Using the rack kit for another system may result in damage to the system and personal injury to yourself and to others.**

Center-Mount Installation

The two-post rack kit is shipped with the brackets configured for center-mount installation. To complete the installation, perform the following steps:


- 1 Locate the right slide assembly and push the back bracket toward the back of the slide assembly (see Figure 1-15).
- 2 Position the right slide assembly in the two-post rack at the location you marked, push the back bracket forward against the vertical two-post rack, secure the front center mounting bracket with two 12-24 x 0.5-inch pan-head Phillips screws, and secure the back center-mounting bracket to the rack with three 12-24 x 0.5-inch pan-head Phillips screws (see Figure 1-15).
- 3 Repeat steps 1 and 2 to install the left slide assembly in the rack.

Figure 1-15. Installing the Slide Assemblies for Center-Mount Configuration



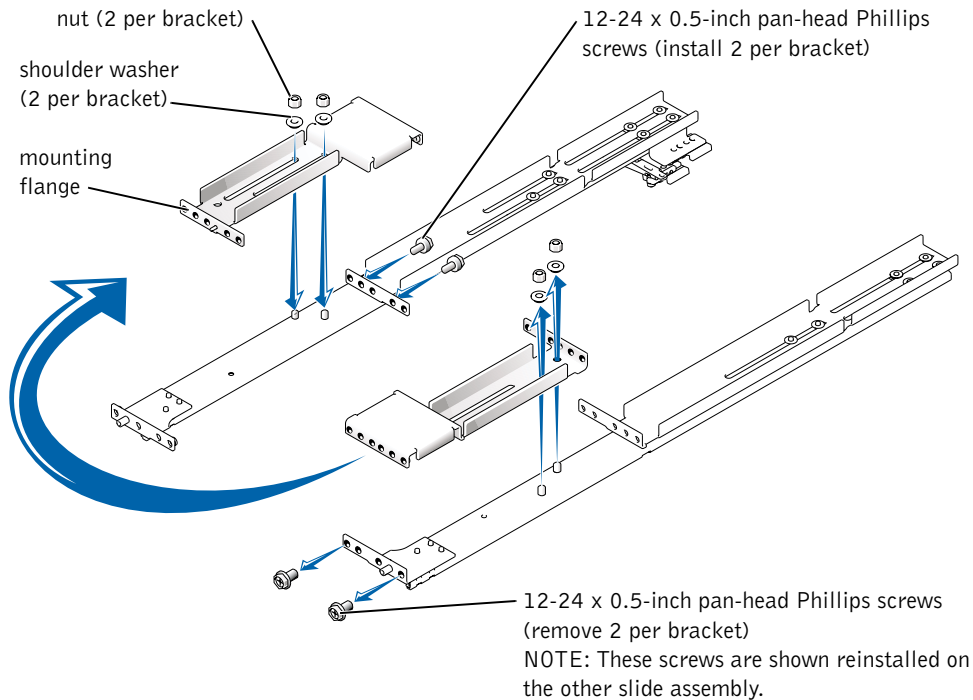
Flush-Mount Installation

The two-post rack kit is shipped with the brackets configured for center-mount installation. To prepare the slide assemblies for flush-mount installation in the two-post rack, perform the following steps:

- 1 Locate the two slide assemblies and place them, side by side, on a smooth work surface, with the front ends of the slide assemblies toward you. Position both slide assemblies so that the center brackets are facing upward (see Figure 1-16).
 **NOTE:** To prepare the slides for flush-mount installation, remove the front mounting bracket, rotate it 180 degrees, and reinstall it on the opposite slide assembly.
- 2 Using a #2 Phillips screwdriver and an 11/32-inch wrench or nut driver, remove two 12-24 x 0.5-inch pan-head Phillips screws, two nuts, and two shoulder washers from each front center bracket (see Figure 1-16).
- 3 Remove the front bracket from both slide assemblies.
- 4 Place the bracket from one slide assembly onto the threaded studs on the opposite slide assembly, with the bracket turned 180 degrees so that the mounting flange faces forward (see Figure 1-16).
- 5 Secure each front center-mount bracket (by its nuts and shoulder washers) by finger-tightening them on their opposite slide assemblies using the two shoulder washers and two nuts you removed in step 2 (see Figure 1-16).

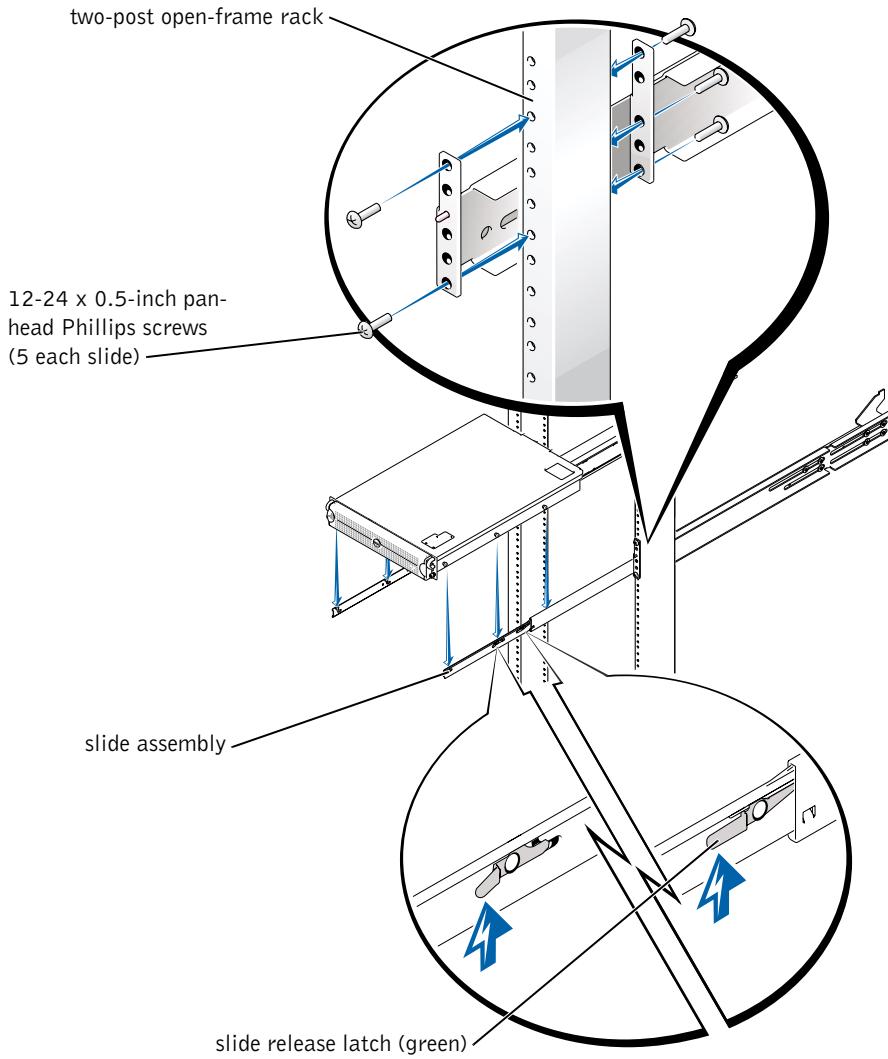
The joined bracket becomes the new extended back bracket.

Figure 1-16. Rotating the Front Mounting Bracket for Flush-Mount Installation




- 6 Repeat steps 4 and 5 to configure the other slide assembly.
- 7 Holding the left slide assembly into position in the two-post rack at the location you marked, adjust the extended back bracket tightly against the vertical two-post rack and secure it with three 12-24 x 0.5-inch pan-head Phillips screws (see Figure 1-17).
- 8 Secure the front bracket on the slide assembly to the two-post rail with two 12-24 x 0.5-inch pan-head Phillips screws (see Figure 1-17).
- 9 Perform steps 7 and 8 to install the right slide assembly in the rack.
- 10 Use an 11/32-inch wrench or nut driver to fully tighten the nuts on the mounting brackets on both slide assemblies that you tightened with your fingers.

Figure 1-17. Installing the Slide Assemblies for Flush-Mount Configuration




Installing the System in the Rack

 **CAUTION:** Due to the size and weight of the system, never attempt to install the system by yourself.

 **NOTE:** The procedure for installing a system into a rack is identical for flush-mount and center-mount slide assemblies.


- 1 Pull the slides out to their fully extended position.

 **CAUTION:** Because of the size and weight of the system, never attempt to install the system in the slide assemblies by yourself.

- 2 Lift the system into position (see Figure 1-17).
- 3 Place one hand on the front-bottom of the system and the other hand on the back-bottom of the system.
- 4 Tilt the back of the system down while aligning the back shoulder screws on the sides of the system with the back slots on the slide assemblies.
- 5 Engage the back shoulder screws into their slots.
- 6 Lower the front of the system, and engage the front and middle shoulder screws in their slots (the middle slot is just behind the yellow system release latch) (see Figure 1-17).

When all shoulder screws are properly seated, the yellow latch on each slide assembly clicks and locks the system into the slide assembly.

- 7 Press up on the green slide release latch at the side of each slide to slide the system completely into the rack (see Figure 1-17).
- 8 Push in and turn the captive thumbscrews on each side of the front chassis panel to secure the system to the rack.

 **NOTE:** Use the yellow system release latch whenever you wish to remove the system from the slide assemblies.

Installing the Cable-Management Arm

See "Installing the Cable-Management Arm" in "Four-Post Rack Installation" found earlier in this document.

Routing Cables

See "Routing Cables" in "Four-Post Rack Installation" found earlier in this document.

You have completed the installation of the rack kit in a two-post rack.

Index

C

- cable-management arm, 1-14
 - installing, 1-14, 1-27
 - routing cables, 1-17, 1-27
- cables, 1-17
- contents listed
 - RapidRails kit, 1-4
 - VersaRails kit, 1-5

D

- doors
 - removing, 1-6
 - replacing, 1-17

I

- installing
 - cable-management arm, 1-14, 1-27
 - slide assemblies, 1-22
- installing in rack system, 1-12, 1-13
- installing system
 - four-post rack, 1-12
 - two-post rack, 1-27

K

- kit contents
 - RapidRails, 1-4
 - VersaRails, 1-6

M

- marking rack
 - four-post kits, 1-6
 - two-post kit, 1-20

R

- rack mount precautions, 1-3
- rack requirements for VersaRails, 1-3
- rack stabilizer feet, 1-3
- rack unit, 1-7
- RapidRails kit contents, 1-4
- routing, 1-17
- routing cables, 1-16, 1-27

S

- safety instructions, 1-1

T

- tasks
 - two-post kit, 1-18
- tools
 - two-post kit, 1-19
- tools and supplies
 - four-post kits, 1-4
- two-post kit
 - installing cable-management arm, 1-27
 - installing slide assemblies, 1-22
 - installing system, 1-27
 - marking rack, 1-20
 - routing cables, 1-27
 - tasks, 1-18
 - tools, 1-19

V

- VersaRails
 - kit contents, 1-5, 1-6
- VersaRails kit contents
 - list of, 1-5
- vertical rails
 - marking, 1-6
 - one rack unit, 1-7

Systemes Dell™

Guide d'installation du rack



Remarques, mises en garde et avertissements



REMARQUE : UNE REMARQUE indique une information importante destinée à vous aider à mieux utiliser votre ordinateur.



MISE EN GARDE : UNE MISE EN GARDE indique un dommage potentiel pouvant survenir (ou une perte de données) et vous dit comment éviter le problème.



ATTENTION : Le message **ATTENTION** indique une situation potentiellement dangereuse qui, si elle n'est pas évitée, peut provoquer une blessure mineure ou modérée.

Les informations fournies dans ce document sont susceptibles d'être modifiées sans préavis.
© 2002 Dell Computer Corporation. Tous droits réservés.

La reproduction de ce document de quelque manière que ce soit sans l'autorisation écrite de Dell Computer Corporation est strictement interdite.

Marques déposées utilisées dans ce guide : *Dell*, le logo *DELL*, *VersaRails*, et *RapidRails* sont des marques Dell Computer Corporation.

Toutes les autres marques déposées et noms de marques utilisés dans ce document se rapportent aux sociétés propriétaires des marques et des noms de ces produits. Dell Computer Corporation décline tout intérêt dans l'utilisation des marques déposées et des noms de marques ne lui appartenant pas.

Février 2002 Réf. 5G382 Rév. A00

Sommaire

Instructions de sécurité	2-1
Instructions d'installation	2-2
Installation d'un kit du rack à quatre montants	2-3
Avant de commencer	2-3
Tâches d'installation	2-4
Outils et fournitures recommandés	2-5
Contenu du kit du rack RapidRails	2-5
Contenu du kit du rack VersaRails	2-6
Retrait des portes du rack	2-6
Marquage du rack	2-7
Installation des rails coulissants RapidRails	2-9
Installation des rails coulissants VersaRails	2-11
Installation du système dans le rack	2-13
Installation du bras de maintien des câbles	2-14
Routage des câbles	2-17
Remise en place des portes du rack	2-19
Installation du rack à deux montants	2-19
Tâches d'installation du rack à deux montants	2-20
Outils et fournitures recommandés	2-20
Contenu du kit du rack	2-20
Marquage du rack	2-21
Installation des rails coulissants dans le rack	2-23
Installation du système dans le rack	2-29
Installation du bras de maintien des câbles	2-29
Routage des câbles	2-29

Index

Figures

Figure 2-1.	Contenu du kit du rack RapidRails	2-5
Figure 2-2.	Contenu du kit du rack VersaRails	2-6
Figure 2-3.	Unité à un rack	2-7
Figure 2-4.	Marquage des rails verticaux	2-8
Figure 2-5.	Installation des rails coulissants RapidRails	2-10
Figure 2-6.	Installation des rails coulissants VersaRails	2-12
Figure 2-7.	Installation du système dans le rack (RapidRails ou VersaRails)	2-14
Figure 2-8.	Installation du bras de maintien des câbles	2-15
Figure 2-9.	Installation du bras de maintien des câbles	2-16
Figure 2-10.	Routage des cordons d'alimentation	2-17
Figure 2-11.	Routage des câbles	2-18
Figure 2-12.	Composants du kit de rack à deux montants	2-21
Figure 2-13.	Espacement universel des trous sur un rack de relais à 2 montants avec châssis ouvert	2-22
Figure 2-14.	Espacement large des trous sur un rack de relais à 2 montants avec châssis ouvert	2-22
Figure 2-15.	Installation des rails coulissants pour une configuration à montage central.	2-25
Figure 2-16.	Rotation du support de montage avant pour une installation à encastrement	2-27
Figure 2-17.	Installation des rails coulissants pour une configuration à encastrement.	2-28


Instructions de sécurité

Respectez les consignes de sécurité de ce guide pour assurer votre sécurité personnelle et pour contribuer à protéger votre serveur, votre système de stockage ou appareil, des dommages potentiels. Pour obtenir toutes les informations de sécurité, réglementaires, reportez-vous au document intitulé *Informations système*. Les informations de garantie peuvent être contenues dans ce document ou sous la forme d'un document distinct.


 **ATTENTION : Précautions à suivre concernant les produits destinés à être montés dans des racks**

Pour la stabilité du rack et pour votre sécurité, veuillez respecter les précautions suivantes. Reportez-vous également à la documentation accompagnant le système et le rack pour connaître les avertissements et/ou les mises en garde et les procédures spécifiques.

Les serveurs, les systèmes de stockage et les appareils sont considérés comme les composants d'un rack. Ainsi, le terme "composant" fait référence à tout serveur, tout système de stockage ou appareil, aussi bien qu'aux différents périphériques ou matériels.

 **ATTENTION : L'installation de composants d'un système dans un rack sans placer de stabilisateurs avant et latéraux peut provoquer le basculement du rack, et comporte dans certaines situations un risque de blessures. C'est pourquoi il faut toujours installer les stabilisateurs avant d'installer les composants du rack.**

Après avoir installé le système/les composants dans un rack, ne tirez jamais plus d'un composant du rack sur les supports coulissants. Le poids représenté par plus d'un composant étendu pourrait en effet provoquer le basculement du rack et blesser l'utilisateur.

 **REMARQUE :** Votre système est certifié sur le plan de la sécurité en tant qu'unité autonome et en tant que composant destiné à être utilisé dans une armoire rack, à l'aide du kit de rack client, à condition que l'armoire rack et le kit de rack soient conçus pour votre système. L'installation du système et du kit de rack dans tout autre type de rack n'a reçu aucune homologation des organismes de certification de la sécurité. Il est de votre entière responsabilité de faire évaluer par un organisme de sécurité agréé la combinaison finale du système et du kit de rack dans une armoire de rack. Le fabricant décline toute responsabilité et toutes garanties liées à ce type de combinaisons.

- Les kits de racks sont destinés à être installés dans un rack homologué par des techniciens expérimentés. Si vous installez ce kit dans tout autre rack, assurez-vous que ce rack répond à toutes les spécifications requises.

 **ATTENTION : Ne déplacez pas seul les racks volumineux. En raison de la hauteur et du poids du rack, il est recommandé de confier l'exécution de cette tâche à deux personnes au minimum.**

- Avant de travailler sur le rack, assurez-vous que les stabilisateurs sont bien en place sur le rack et au sol, et que tout le poids du rack repose sur le sol. Installez les stabilisateurs avant et latéraux (pour un rack simple) ou les stabilisateurs avant (pour les racks multiples) avant de travailler sur le rack.
- Chargez toujours le rack du bas vers le haut, en plaçant toujours la plus forte charge en premier.
- Assurez-vous que le rack est bien de niveau avant de sortir l'un des composants à l'aide des supports coulissants.
- Agissez avec précaution lorsque vous appuyez sur les verrous des rails pour les libérer et faire glisser un composant hors ou dans le rack. Les rails coulissants pourraient en effet vous coincer les doigts.
- Après avoir inséré un composant dans le rack, étendez le rail en position maximum jusqu'à son verrouillage puis faites glisser le composant dans le rack.
- Ne surchargez pas le circuit d'alimentation dérivé alimentant le rack en électricité. La charge totale du rack ne doit pas excéder 80 % de la puissance du circuit dérivé.
- Assurez-vous que l'air circule suffisamment entre les composants du rack.
- Ne montez jamais sur l'un des composants du système lors de l'entretien.

Instructions d'installation

Ce guide d'installation contient des instructions s'adressant à des techniciens de maintenance qualifiés et explique comment installer un ou plusieurs systèmes dans un rack de relais avec châssis ouvert ou une armoire rack. Le kit de rack RapidRails™ peut être installé sans outils dans toutes les armoires rack du fabricant ; le kit de rack VersaRails™ peut être installé dans la plupart des armoires rack conformes aux normes de l'industrie. Les procédures d'installation des kits de rack RapidRails et VersaRails sont les mêmes. Un kit de rack est nécessaire pour chaque système devant être installé dans l'armoire rack.

Ce guide comprend les procédures relatives aux kits de rack suivants :

- Kit RapidRails dans une armoire rack à quatre montants
- Kit VersaRails dans une armoire rack à quatre montants
- Kit à deux montants (installé dans une configuration à montage central ou à encastrement, pour les racks de 3 ou 6 pouces de largeur)

Pour faciliter le dépannage et connaître l'état général du système, tous ces kits de rack sont fournis avec un câble à voyant d'état qui transmet les informations des deux voyants d'état de couleur des panneaux avant et arrière vers l'arrière du bras de maintien des câbles. Pour plus d'informations sur ces voyants, reportez-vous au *Guide de l'utilisateur* de votre système.

Avant de commencer l'installation, lisez soigneusement ce document en entier.

⚠ ATTENTION : N'installez pas de composants de kit de rack prévus pour un autre système. Utilisez uniquement le kit de rack de votre système. Si vous employez le kit d'un autre système, vous risquez d'endommager le système et d'exposer autrui et vous-même à des risques de blessures.

Spécifications de rack requises pour les rails VersaRails

➡ MISE EN GARDE : Le kit de rack VersaRails est prévu pour être installé par des techniciens de maintenance qualifiés dans un rack conforme aux spécifications des organismes suivants : American National Standards Institute (ANSI)/Electronic Industries Association (EIA) standard ANSI/EIA-310-D-92, International Electrotechnical Commission (IEC) 297, et Deutsche Industrie Norm (DIN) 41494. Un kit de rack est nécessaire pour chaque système installé dans un rack.

Installation d'un kit du rack à quatre montants

Avant de commencer l'installation, lisez soigneusement cette procédure en entier.

Avant de commencer

Avant de commencer à installer votre système dans le rack, lisez les "Instructions de sécurité" au début de ce document, ainsi que les instructions de sécurité du document *Informations système* qui vous fourniront des renseignements supplémentaires.

⚠ ATTENTION : Lorsque vous installez plusieurs systèmes dans un rack, exécutez toutes les procédures s'appliquant au système en cours avant d'essayer d'installer le système suivant.

⚠ ATTENTION : Les armoires rack peuvent être extrêmement lourdes et leurs roulettes leur permettent de se déplacer facilement. L'armoire ne possède pas de système de freins. Procédez par conséquent avec la plus grande prudence pour déplacer l'armoire rack. Pensez à rentrer ses pieds de nivellement lorsque vous la changez d'emplacement. Evitez de la déplacer le long de rampes ou de plans inclinés trop longs ou trop abrupts, sur lesquels l'armoire pourrait vous échapper. Ressortez les pieds de nivellement lorsqu'il est nécessaire de soutenir l'armoire ou pour lui éviter de glisser sur ses roulettes.

Informations importantes sur la sécurité

Observez les précautions de sécurité décrites dans les sous-sections suivantes lors de l'installation de votre système dans le rack.

⚠ ATTENTION : Vous devez respecter à la lettre les procédures de ce document afin de garantir votre propre protection ainsi que celle d'autrui. Votre système peut être très lourd et volumineux. Une préparation et une planification adéquates sont donc importantes afin d'éviter tout risque de blessure pour vous-même ou autrui. Ces précautions sont d'autant plus importantes lorsque les systèmes sont installés très haut dans le rack.

Pieds stabilisateurs du rack

⚠ ATTENTION : L'installation de systèmes dans un rack sans placer de pieds stabilisateurs avant et latéraux peut provoquer le basculement du rack, et comporte dans certaines situations un risque de blessures. C'est pourquoi il faut toujours installer les pieds stabilisateurs avant d'installer les composants du rack.

⚠ ATTENTION : Après avoir installé des systèmes dans un rack, ne retirez jamais plus d'un système à la fois hors du rack à l'aide de ses rails coulissants. Le poids représenté par plus d'un système lorsqu'il est extrait pourrait en effet provoquer le basculement du rack et blesser l'utilisateur.

Les pieds stabilisateurs empêchent le rack de basculer lorsque vous extrayez un système ou un autre composant hors du rack, les rails coulissants étant complètement ressortis. Consultez la documentation fournie avec l'armoire rack pour savoir comment installer et fixer les pieds stabilisateurs.

Tâches d'installation

Pour installer un kit de rack, vous devez effectuer les tâches suivantes dans l'ordre dans lequel elles sont indiquées :

- 1 Retrait des portes du rack
- 2 Marquage du rack
- 3 Installation des rails coulissants dans le rack :
 - Installation du kit RapidRails
 - Installation du kit VersaRails
- 4 Installation du système dans le rack
- 5 Installation du bras de maintien des câbles

- 6 Routage des câbles
- 7 Remise en place des portes du rack

Outils et fournitures recommandés

Les outils et fournitures suivants peuvent être nécessaires pour installer le système dans un rack à quatre montants :

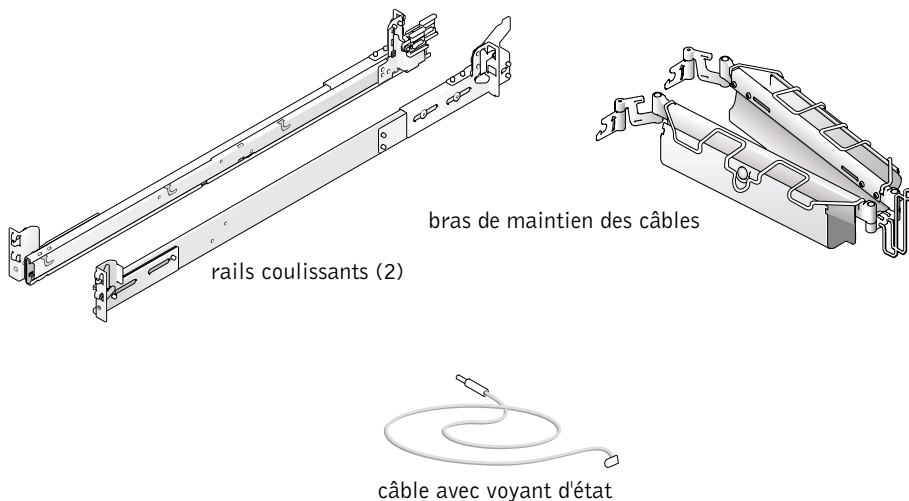
- Un tournevis Phillips n° 2 (pour installer un kit de rails coulissants VersaRails)
- Bande protectrice adhésive ou stylo feutre pour marquer les trous de montage à utiliser.

Contenu du kit du rack RapidRails

Le kit du rack RapidRails comprend les éléments suivants (voir la Figure 2-1) :

- Une paire de rails coulissants RapidRails
- Un bras de maintien des câbles
- Un câble avec voyant d'état
- Des fixe-câble

Figure 2-1. Contenu du kit du rack RapidRails



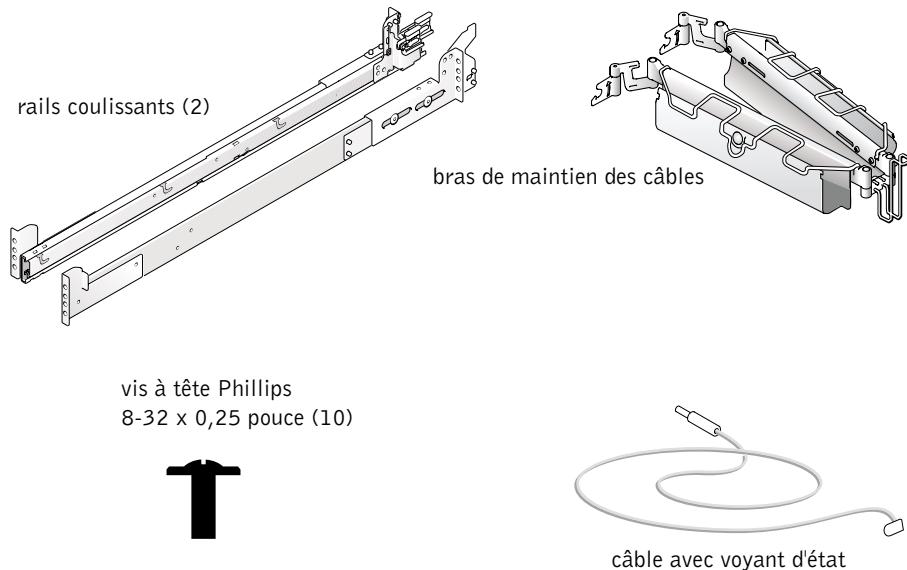
Contenu du kit du rack VersaRails

Le kit du rack VersaRails comprend les éléments suivants (voir la Figure 2-2) :

- Une paire de rails coulissants VersaRails
- Un bras de maintien des câbles
- Un câble avec voyant d'état
- Huit vis à tête Phillips 10-32 x 0,5 pouce
- Des fixe-câble

REMARQUE : Les vis non métriques décrites dans les illustrations et dans les étapes des procédures sont identifiées par la taille et le nombre de filetages par pouce. Par exemple, une vis à tête Phillips n° 10 avec 32 filetages est désignée par l'appellation vis 10-32.

Figure 2-2. Contenu du kit du rack VersaRails



Retrait des portes du rack

Reportez-vous aux procédures de retrait des portes dans la documentation fournie avec le rack.

⚠ ATTENTION : Compte tenu du poids et de la taille des portes de l'armoire rack, ne déposez ou n'installez jamais les portes seul.

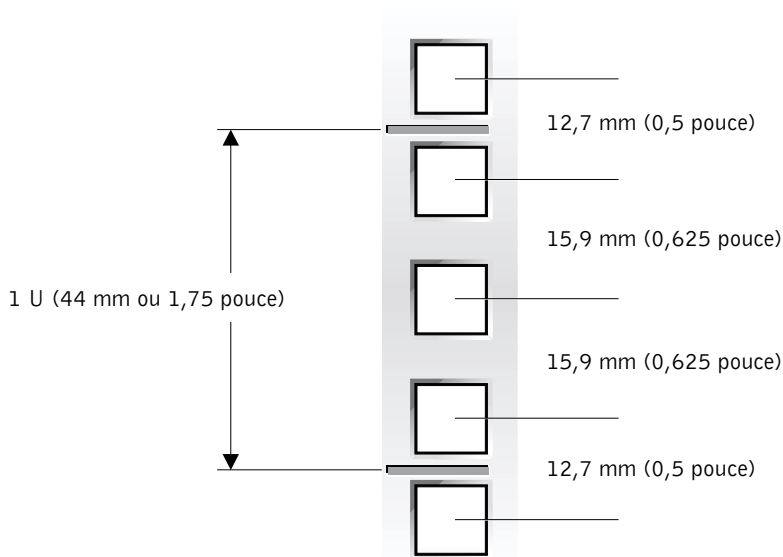
⚠ ATTENTION : Stockez les deux portes dans un endroit sûr où elles ne risquent pas de tomber accidentellement et de blesser quelqu'un.

Marquage du rack

Vous devez laisser un espace vertical de 2 U (88 mm ou 3,5 pouces) pour chaque système installé dans le rack. Les armoires rack conformes aux normes EIA-310 alternent un groupe de trois trous par U (unité). Les espacements entre chacun des trois trous, mesurés du centre d'un trou jusqu'au centre du trou suivant (en commençant par le trou supérieur d'un espace de 1U) sont respectivement de 15,9 mm, 15,9 mm et 12,7 mm (0,625 pouces, 0,625 pouces et 0,5 pouces) pour les rails verticaux avant et arrière (voir la Figure 2-3). Les armoires rack peuvent comporter des trous ronds ou carrés.

REMARQUE : Les rails verticaux peuvent être marqués par des lignes horizontales et des chiffres progressant par incréments de 1U. Si vous le souhaitez, vous pouvez noter le nombre figurant sur rail vertical du rack. Il n'est pas nécessaire de marquer le rack ou d'y apposer de la bande adhésive. Si vous choisissez cette méthode, passez directement à la procédure "Installation des rails coulissants RapidRails".

Figure 2-3. Unité à un rack



ATTENTION : si vous installez plus d'un système, installez les rails coulissants de façon à ce que le premier système soit placé le plus bas possible dans le rack.

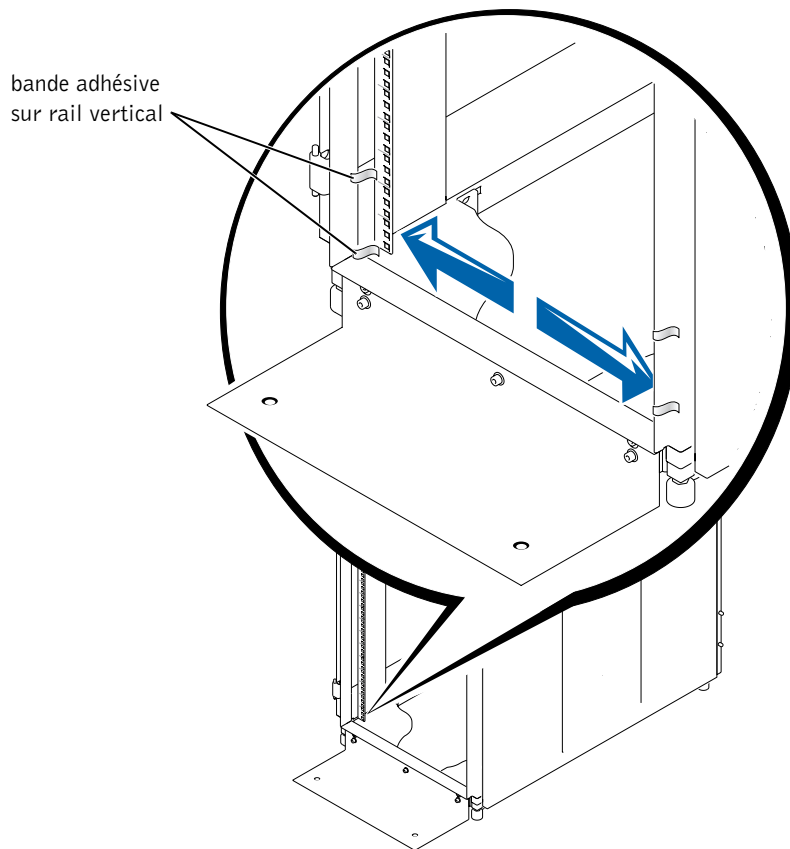
Pour marquer le rack, procédez comme suit :

- 1 Placez une marque sur les rails verticaux avant du rack, à l'endroit correspondant au bas du système à installer dans l'armoire rack.

Le bas de chaque espace 1U se trouve au milieu de la zone métallique la plus étroite située entre les trous (repérée par une ligne horizontale sur certaines armoires rack — voir la Figure 2-4).

- 2 Placez une marque à 88 mm (3.5 inches) au-dessus de la marque originale que vous avez faite (ou comptez jusqu'à six trous dans les racks conformes aux normes EIA-310), puis marquez les rails verticaux du rack avec un stylo feutre ou de la bande protectrice adhésive (si vous avez compté les trous, placez une marque juste au-dessus du trou du haut). Cette marque ou ce morceau de bande adhésive indique l'endroit où le rebord supérieur du système sera installé sur les rails verticaux (voir la Figure 2-4).

Figure 2-4. Marquage des rails verticaux



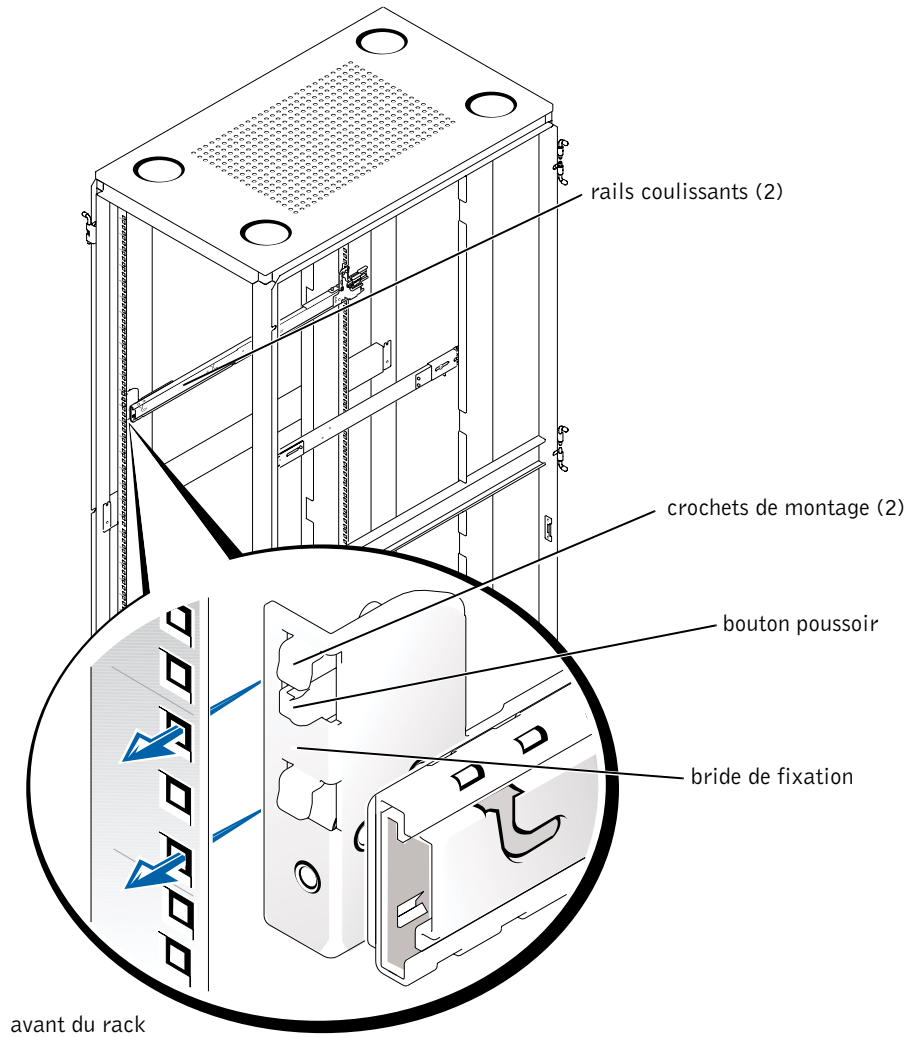
Installation des rails coulissants RapidRails

- 1** A l'avant de l'armoire rack, positionnez l'un des rails RapidRails de façon à ce que la bride de fixation soit située entre les marques (ou la bande adhésive) placées sur le rack (voir la Figure 2-5).

Le crochet de fixation supérieur sur la bride de fixation avant du rail coulissant doit pénétrer dans le trou supérieur situé entre les marques que vous avez faites sur les rails verticaux.

- 2** Poussez l'axe coulissant vers l'avant jusqu'à ce que le crochet de fixation soit positionné dans son trou carré sur le rail vertical, puis exercez une pression vers le bas sur la bride de fixation jusqu'à ce que les crochets de fixation s'enclenchent dans les trous carrés et que le bouton-poussoir bleu ressorte et émette un déclic (voir la Figure 2-5).
- 3** A l'arrière de l'armoire, tirez sur la bride de fixation jusqu'à ce que le crochet de fixation supérieur soit positionné dans le trou carré, puis exercez une pression vers le bas sur la bride de fixation jusqu'à ce que le crochet de fixation s'enclenche dans les trous carrés et que le bouton-poussoir ressorte et émette un déclic.
- 4** Effectuez de nouveau les opérations des étapes de 1 à 3 pour le rail coulissant situé sur l'autre côté du rack.
- 5** Vérifiez que les rails sont montés à la même position verticale de chaque côté du rack.

Figure 2-5. Installation des rails coulissants RapidRails



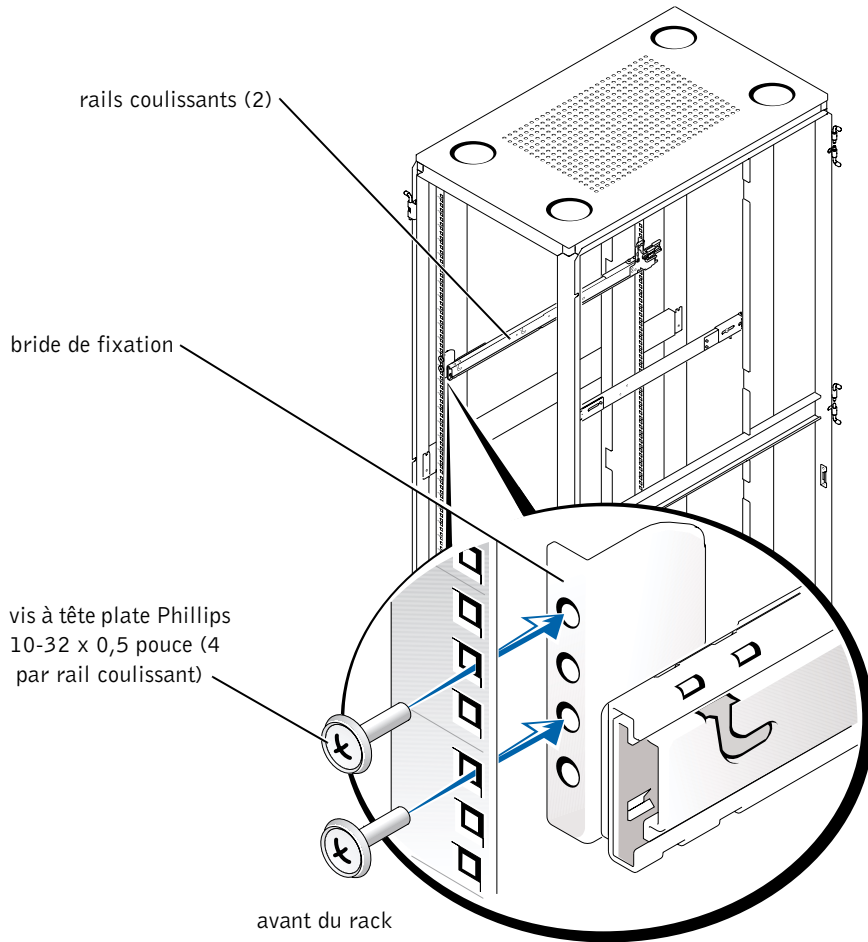
Installation des rails coulissants VersaRails

- 1** A l'avant de l'armoire rack, positionnez l'un des rails VersaRails de façon à ce que la bride de fixation soit située entre les marques ou la bande adhésive (ou l'emplacement numéroté) sur le rack (voir la Figure 2-6).


Les quatre trous à l'avant de la bride de fixation doivent correspondre avec quatre des trous entre les marques que vous avez effectuées sur le rail vertical avant.

- 2** Insérez deux vis Phillips à tête plate 10-32 x 0,5 " dans le trou du haut et le troisième trou à partir du haut de la bride de fixation afin de fixer le rail coulissant au rail vertical avant (voir la Figure 2-6).
- 3** A l'arrière de l'armoire, tirez sur la bride de fixation jusqu'à ce que les trous de montage correspondent exactement à leurs trous respectifs sur le rail vertical arrière.
- 4** Insérez deux vis Phillips à tête plate 10-32 x 0,5 " dans le trou du haut et le troisième trou à partir du haut de la bride de fixation arrière afin de fixer le rail coulissant au rail vertical arrière.
- 5** Effectuez de nouveau les opérations des étapes de 1 à 4 pour le rail coulissant situé sur l'autre côté du rack.
- 6** Vérifiez que les rails coulissants sont montés à la même position sur les rails verticaux de chaque côté du rack.

Figure 2-6. Installation des rails coulissants VersaRails



Installation du système dans le rack

 **ATTENTION : Si vous installez plusieurs systèmes, installez le premier système le plus bas possible dans le rack.**

 **ATTENTION : Ne retirez jamais plus d'un composant du rack en même temps.**

1 Tirez à fond les deux rails coulissants hors du rack jusqu'à ce qu'ils soient bloqués.

 **ATTENTION : En raison de la taille et du poids du système, ne tentez jamais de l'installer seul dans les rails coulissants.**

2 Soulevez le système pour le placer en bonne position à l'avant des rails coulissants étendus.

3 Placez une main sur la partie inférieure avant du système et l'autre main sur la partie inférieure arrière du système.

4 Inclinez l'arrière du système vers le bas tout en faisant correspondre les vis à épaulement arrière, sur les côtés du système, avec les fentes arrière des rails coulissants.

5 Engagez les vis à épaulement arrière dans leurs fentes.

6 Abaissez l'avant du système et engagez les vis à épaulement avant et centrale dans leurs fentes (la fente centrale se trouve juste derrière le loquet de dégagement jaune du système) (voir la Figure 2-7).

Lorsque toutes les vis à épaulement sont en place, le loquet jaune sur chaque rail coulissant s'enclenche et verrouille le système dans le rail coulissant.

7 Exercez une pression vers le haut sur le loquet de dégagement vert de chaque rail pour faire coulisser le système entièrement dans le rack (voir la Figure 2-7).

8 Enfoncez et serrez les vis à molette captives situées de chaque côté du panneau du châssis avant pour fixer le système sur le rack.


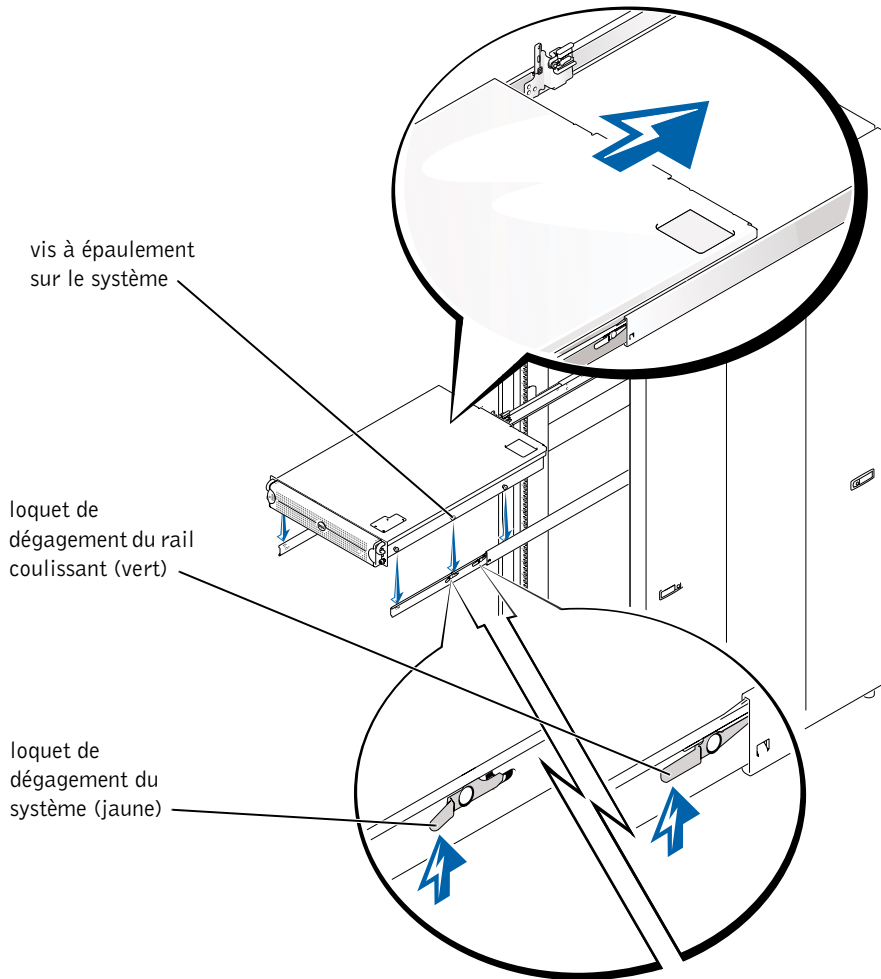
 **REMARQUE :** Utilisez toujours le loquet jaune pour retirer le système des rails coulissants.

Figure 2-7. Installation du système dans le rack (RapidRails ou VersaRails)



Installation du bras de maintien des câbles

⚠ MISE EN GARDE : Le bras de maintien des câbles peut uniquement être installé sur le côté droit de l'armoire rack, vue de l'arrière.

Pour installer le support de câbles sur le système, procédez comme suit :

- 1** en vous plaçant face à l'arrière de l'armoire rack, repérez le loquet à l'extrémité du rail coulissant.

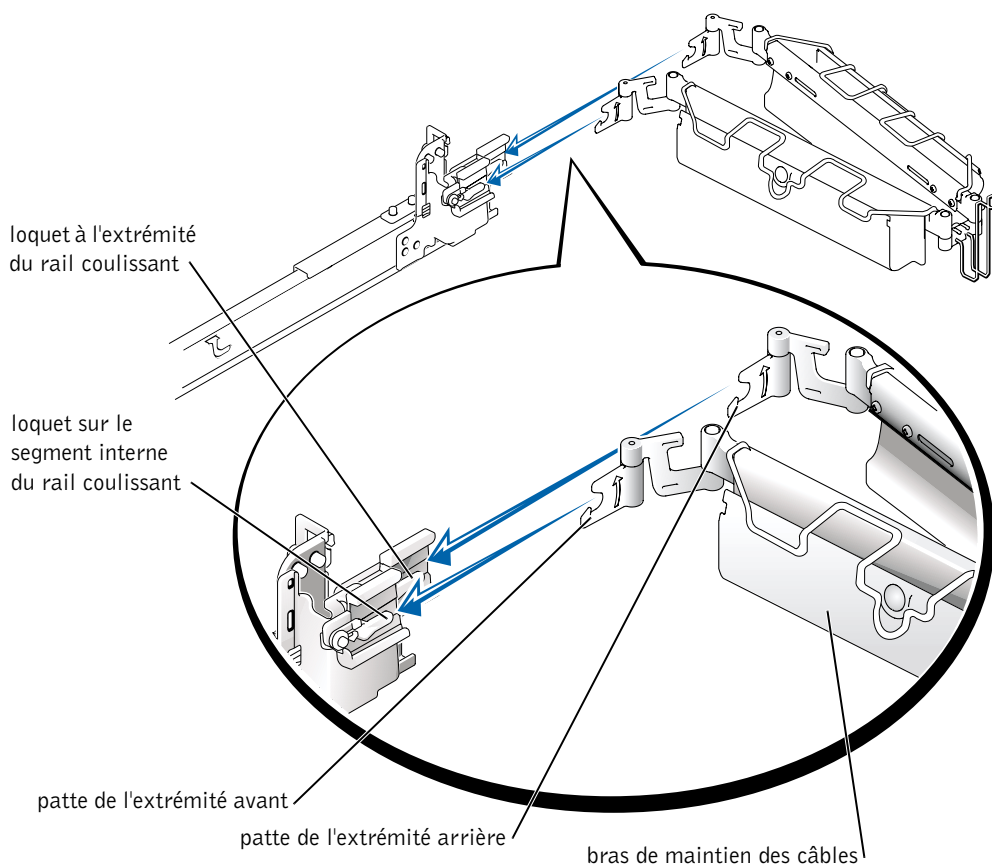
2 Poussez la patte de l'extrémité gauche du bras de maintien des câbles pour la faire pénétrer dans le loquet à l'extrémité du rail coulissant (voir la Figure 2-8).

Le loquet émet un déclic lorsqu'il s'enclenche.

3 Poussez la patte de l'extrémité avant du bras de maintien des câbles pour la faire pénétrer dans le loquet correspondant sur le segment interne du rail coulissant (voir la Figure 2-8).

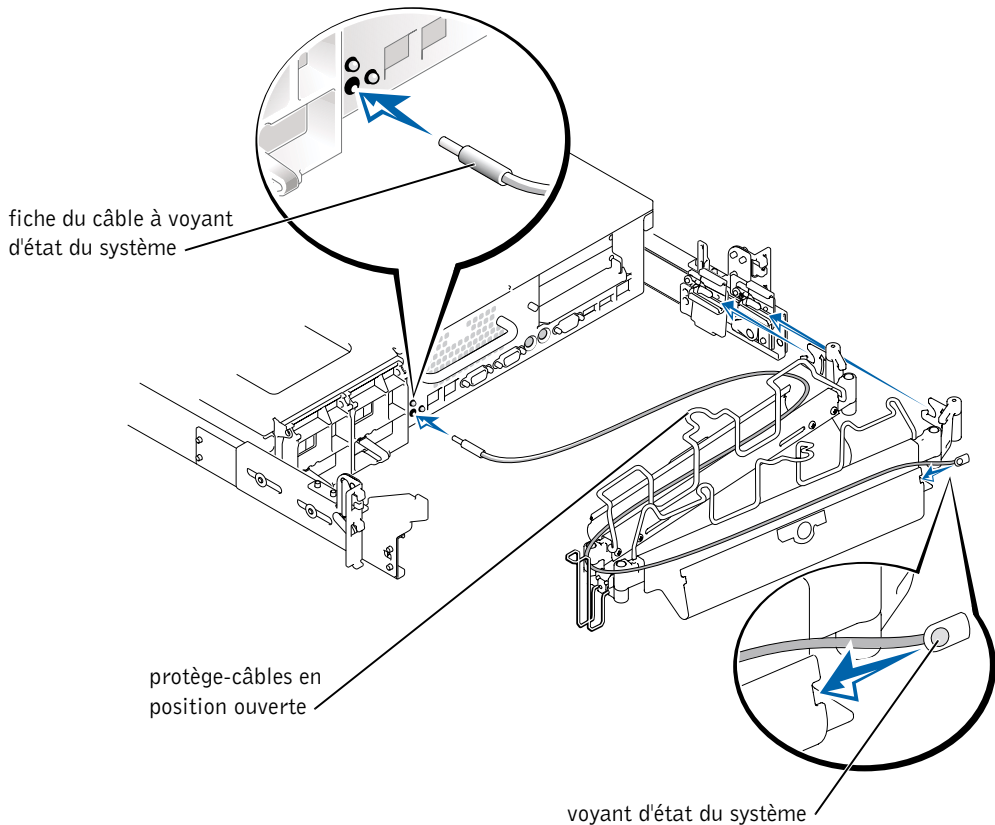
Le loquet émet un déclic lorsqu'il s'enclenche.

Figure 2-8. Installation du bras de maintien des câbles



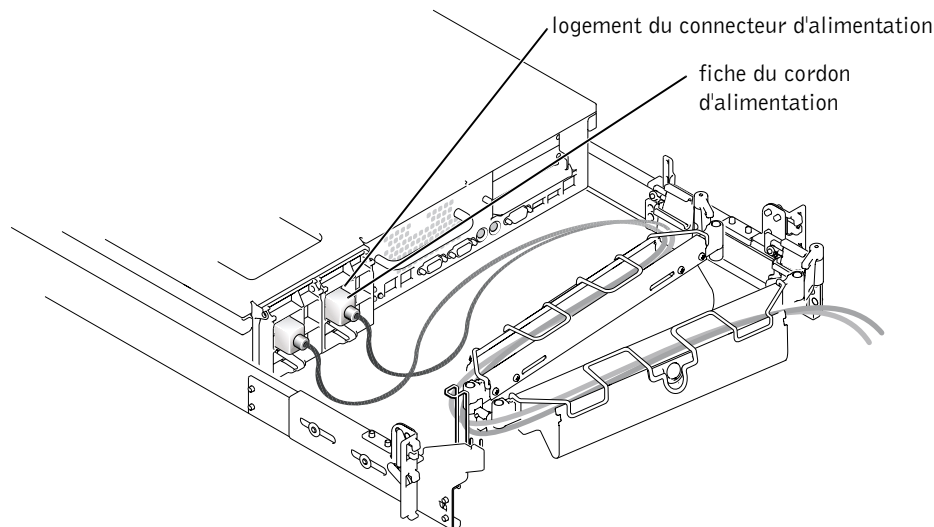
- 4 Insérez la fiche de terminaison du câble de voyant d'état dans son connecteur (voir la Figure 2-9).
- 5 Dégagez les protège-câbles sur le bras de maintien en soulevant le centre du protège-câble au-dessus du bouton rond embouti sur le devant, sur la partie avant du bras, et au-dessus de l'autre bouton rond similaire, sur la partie arrière du bras.
Le protège-câble pivote et s'ouvre afin de permettre le passage des câbles dans le bras.
- 6 Faites passer l'extrémité du câble à voyant d'état dans le bras de maintien des câbles, puis installez le voyant dans sa fente sur l'extrémité arrière du bras (voir la Figure 2-9).

Figure 2-9. Installation du bras de maintien des câbles



- 7 Branchez les cordons d'alimentation sur leurs connecteurs sur le panneau arrière (voir la Figure 2-10).

Figure 2-10. Routage des cordons d'alimentation



⚠ ATTENTION : Laissez un peu de mou au niveau de chaque câble en les faisant passer autour des charnières du bras de maintien des câbles.

Routage des câbles

- 1 Fixez les connecteurs des câbles d'entrée et de sortie (I/O) sur leurs connecteurs respectifs sur le panneau arrière du système.

Pour obtenir plus de détails sur les connexions des câbles, reportez-vous au *Guide d'installation et de dépannage* et au *Guide de l'utilisateur*.

- 2 Faites passer le cordon d'alimentation et les câbles d'E/S dans le bras de maintien des câbles, à l'aide de quatre fixe-câbles détachables fixés de façon lâche (deux au centre et un à chaque extrémité du bras de maintien des câbles). Ne resserrez pas encore à fond les fixe-câbles à ce stade (voir la Figure 2-11).

Laissez un peu de mou au niveau des câbles sur le bras de maintien afin d'éviter de les endommager.


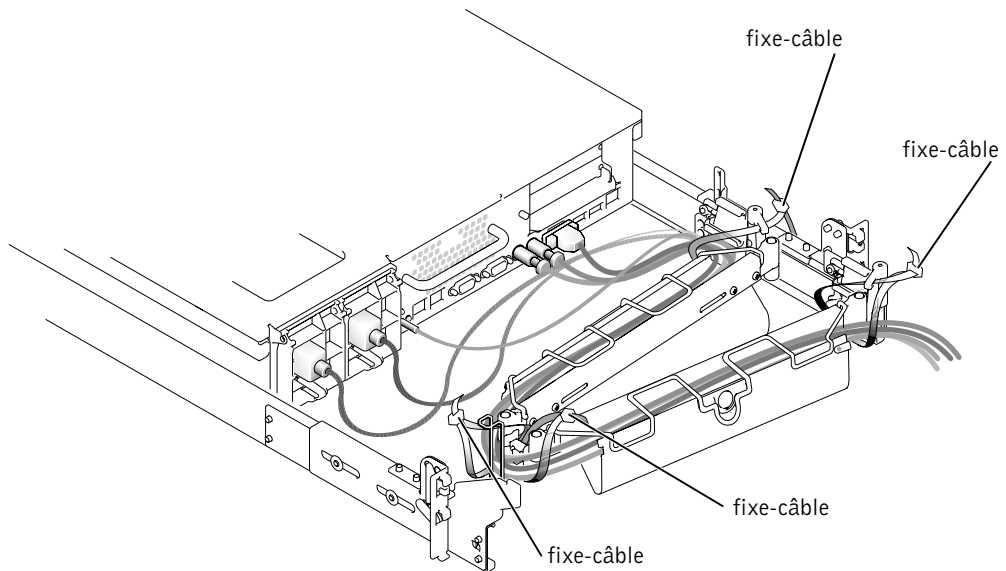
- 3 Fixez les câbles sur le bras de maintien des câbles.
 - a Après avoir connecté les câbles au système, dévissez les vis à molette fixant l'avant du système au rail vertical avant.
 - b Faites glisser le système vers l'avant en position étendue maximale.
 - c Faites passer les câbles le long du bras de maintien, réglez si nécessaire le mou des câbles au niveau des charnières, puis fixez les câbles au bras de maintien des câbles à l'aide des fixe-câbles détachables, puis rabattez les protège-câbles sur le bras de maintien des câbles.
-  **REMARQUE :** lorsque vous tirez le système dans sa position la plus étendue, les charnières vont se bloquer dans cette position. Pour replacer le système dans le rack, appuyez sur le loquet de dégagement situé sur le côté du rail coulissant, puis faites glisser le système complètement dans le rack.
- 4 Faites glisser le système dans et hors du rack pour vérifier que les câbles sont installés correctement et ne se bloquent pas, ne se tendent pas et ne se coincent pas lors du déplacement du bras de maintien des câbles.
 - 5 Resserrez juste assez les fixe-câbles pour que les câbles aient un mou suffisant, ni trop tendu, ce qui les coincerait, ni trop lâche, permettant d'éviter que les câbles ne glissent lors de l'introduction et de l'extraction du système dans le rack.

Figure 2-11. Routage des câbles



Remise en place des portes du rack

Reportez-vous aux procédures de remise en place des portes dans la documentation fournie avec l'armoire rack.

⚠ ATTENTION : Compte tenu du poids et de la taille des portes de l'armoire rack, ne déposez ou n'installez jamais les portes seul.

L'installation de votre système dans une armoire en rack à quatre montants est maintenant terminée.

Installation du rack à deux montants

Le kit du rack à deux montants permet d'installer un système dans un rack de relais à deux montants et à châssis ouvert, qui est couramment utilisé en télécommunications. Les racks à deux montants de 3 et 6 pouces de large avec un espacement des trous universel ou large sont utilisables. Vous pouvez installer ce kit dans une configuration à montage central ou à encastrement. Ce kit à deux montants comprend des rails coulissants permettant d'extraire le système du rack lorsque des opérations de maintenance sont requises.

Le rack de relais à deux montants et châssis ouvert doit être correctement fixé au sol, au plafond ou au mur supérieur, et le cas échéant, aux racks adjacents, à l'aide de fixations et de renforts au sol et muraux, recommandés ou agréés par le fabricant du rack ou par les normes de l'industrie. Consultez la documentation d'installation fournie par le fabricant du rack de relais à deux montants avec châssis ouvert pour connaître les mises en gardes à respecter avant de démarrer l'installation.

⚠ ATTENTION : N'essayez pas d'installer ce système dans un rack de relais à deux montants avec châssis ouvert n'ayant pas été ancré solidement en place. Vous risqueriez d'endommager le système, de vous blesser ou de blesser d'autres personnes.

Reportez-vous aux "Instructions de sécurité" situé au début de ce document pour connaître les informations de sécurité supplémentaires relatives à l'installation du rack.

Tâches d'installation du rack à deux montants

Pour installer un kit de rack à deux montants, vous devez effectuer les tâches suivantes dans l'ordre dans lequel elles sont indiquées :

- 1 Marquage du rack
- 2 Installation des rails coulissants dans le rack :
 - Installation à montage central
 - Installation à encastrement
- 3 Installation du système dans le rack
- 4 Installation du bras de maintien des câbles
- 5 Routage des câbles

Outils et fournitures recommandés

Les outils et fournitures suivants peuvent être nécessaires pour installer le système dans un rack à deux montants :

rack de relais à châssis ouvert :

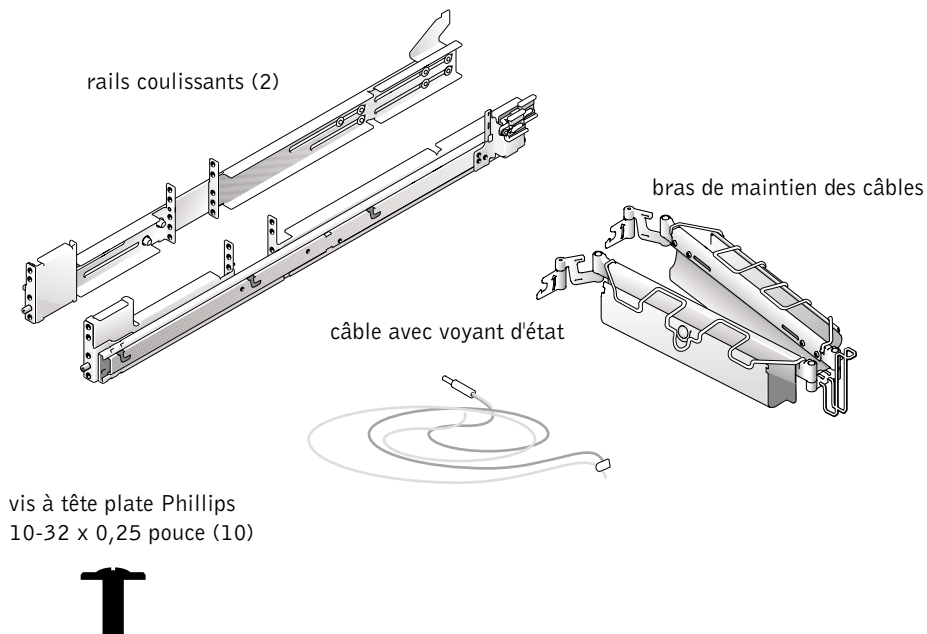
- Un tournevis Phillips n°2
- Clé 11/32 pouces ou clé à pipe (si vous optez pour une configuration à encastrement)
- De la bande adhésive ou un stylo feutre pour marquer les trous de montage à utiliser

Contenu du kit du rack

Le kit du rack à deux montants comprend les éléments suivants (voir la Figure 2-12) :

- Une paire de rails coulissants (deux montants)
- Un bras de maintien des câbles
- Un câble avec voyant d'état
- Dix vis à tête plate Phillips 12-24 x 0,5 pouce
- Des fixe-câble

Figure 2-12. Composants du kit de rack à deux montants



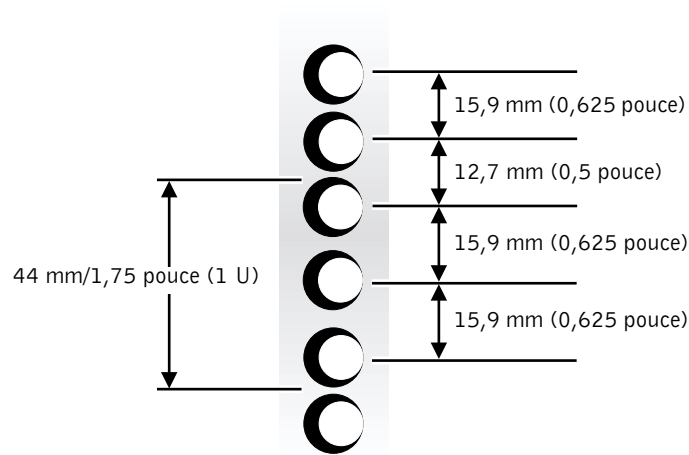
Marquage du rack

Vous devez laisser un espace vertical de 2 U (88 mm ou 3,5 pouces) pour chaque système installé dans le rack à deux montants.

Racks à espacement universel des trous

Les racks à deux montants conformes aux normes de l'industrie et présentant un espacement universel des trous alternent un groupe de trois trous par U (unité). Les espacements entre chacun des trois trous, mesurés du centre d'un trou jusqu'au centre du trou suivant (en commençant par le trou supérieur d'un espace de 1U) sont respectivement de 15,9 mm, 15,9 mm et 12,7 mm (0,625 pouces, 0,625 pouces et 0,5 pouces) pour la colonne verticale avant et arrière des trous (voir la Figure 2-13).

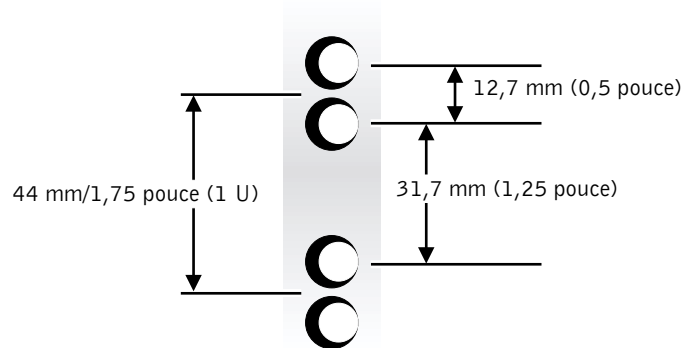
Figure 2-13. Espacement universel des trous sur un rack de relais à 2 montants avec châssis ouvert



Racks à espacement large des trous

Certains rack à deux montants conformes aux normes de l'industrie et présentant un espacement large des trous alternent un groupe de deux trous par U (unité). Les espacements entre chacun des deux trous, mesurés du centre d'un trou jusqu'au centre du trou suivant (en commençant par le trou supérieur d'un espace de 1U) sont respectivement de 1,25 inches et de 12,7 mm (1,25 pouces et 0,5 pouces) pour la colonne verticale avant et arrière des trous (voir la Figure 2-14).


Figure 2-14. Espacement large des trous sur un rack de relais à 2 montants avec châssis ouvert



Pour marquer le rack, procédez comme suit :


- 1 Placez une marque sur les rails verticaux avant du rack, à l'endroit correspondant au bas du système à installer dans le rack à deux montants.

La partie inférieure de chaque espacement de 1U se trouve au centre de la zone métallique la plus étroite entre les trous.

 **REMARQUE :** Si votre rack est doté d'un espacement large entre les trous, passez à l'étape 3.

- 2 Placez une marque à 88 millimètres (3,5 pouces) au-dessus de la marque originale que vous avez faite (ou comptez jusqu'à six trous dans un rack doté d'un espacement universel des trous) (voir la Figure 2-13).

Chaque unité 1 U (soit 44 millimètres ou 1,75 pouce) d'espace vertical dans un rack à espacement universel des trous comporte trois trous. Les espacements entre chacun des trois trous, mesurés du centre d'un trou jusqu'au centre du trou suivant (en commençant par le trou supérieur d'un espace de 1-U) sont respectivement de 15,9 mm, 15,9 mm et 12,7 mm (0,625 pouces, 0,625 pouces et 0,5 pouces) (voir la Figure Figure 2-13).


 **REMARQUE :** Si votre rack présente un espacement universel des trous, la procédure de marquage est maintenant terminée.

- 3 Placez une marque à 88 millimètres (3,5 pouces) au-dessus de la marque originale que vous avez faite (ou comptez jusqu'au quatrième trou suivant dans un rack doté d'un espacement large des trous) (voir la Figure 2-14).

Chaque unité 1 U (soit 44 millimètres ou 1,75 pouce) d'espace vertical dans un rack à espacement universel des trous comporte deux trous. Les espacements entre chacun des deux trous, mesurés du centre d'un trou jusqu'au centre du trou suivant (en commençant par le trou supérieur d'un espace de 1-U) sont de 31,7 mm (1,25 pouce) (voir la Figure Figure 2-14).

Installation des rails coulissants dans le rack

Vous pouvez installer les rails coulissants dans un rack à deux montants à châssis ouvert doté d'un espacement universel des trous (voir la Figure Figure 2-13) d'un espacement large des trous (voir la Figure 2-14). Vous pouvez installer les rails coulissants 2-U dans une configuration à encastrement ou à montage central.

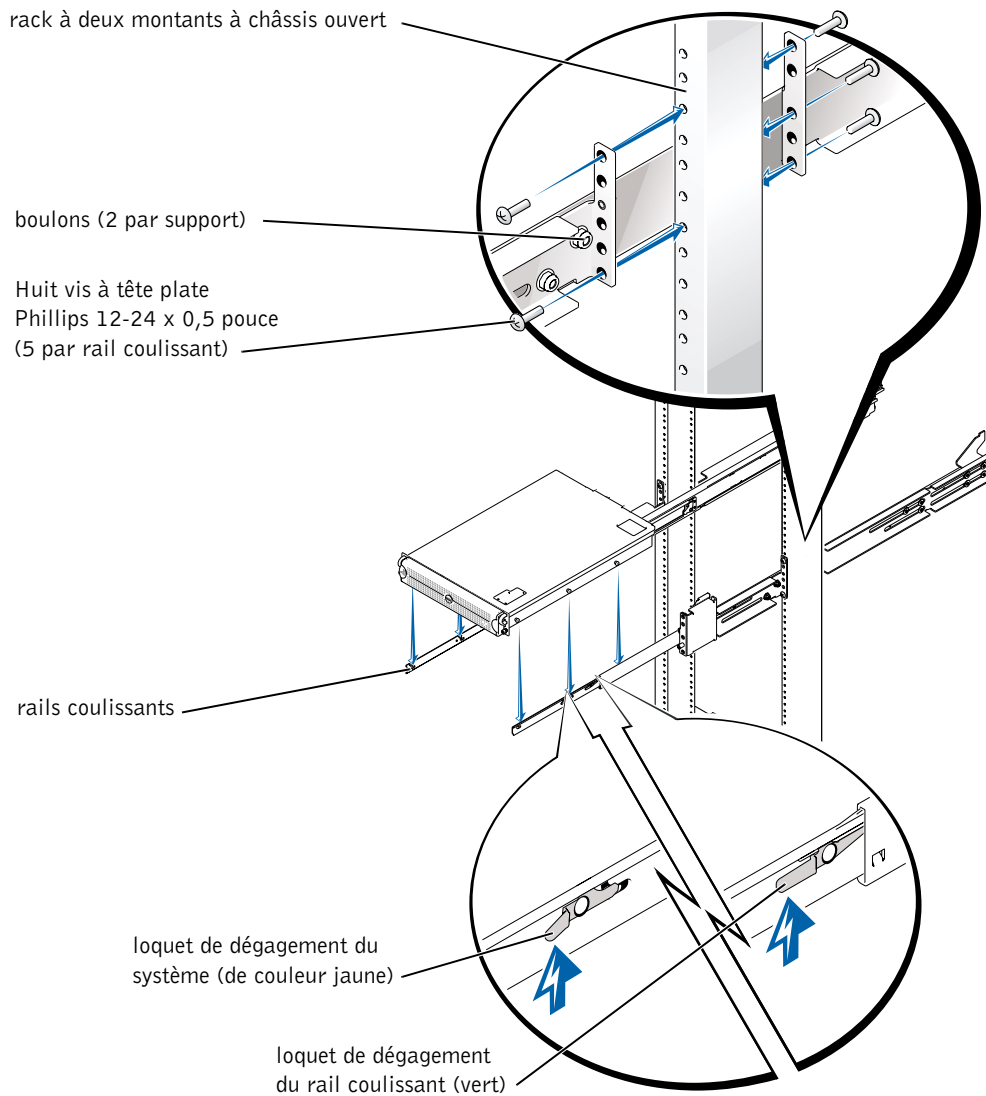
 **ATTENTION :** N'essayez pas d'installer d'autre système avec ce kit de rack. Utilisez uniquement le kit de rack prévu pour votre système. Si vous employez le kit d'un autre système, vous risquez d'endommager le système et d'exposer autrui et vous-même à des risques de blessures.

Installation à montage central

Le kit de rack à deux montants est fourni avec des supports configurés pour une installation à montage central. Pour terminer l'installation, procédez comme suit :

- 1** Repérez le rail coulissant droit et poussez le support arrière vers l'arrière du rail coulissant (voir la Figure 2-15).
- 2** Positionnez le rail coulissant droit dans le rack à deux montants à l'emplacement que vous avez marqué, poussez le support arrière vers l'avant contre le rack vertical à deux montants, fixez la bride de montage centrale avant à l'aide de deux vis à tête Phillips 12-24 x 0,5 pouce, puis fixez la bride de montage centrale arrière au rack à l'aide de trois vis à tête Phillips 12-24 x 0,5- (voir la Figure 2-15).
- 3** Répétez les étapes 1 et 2 pour installer le rail coulissant gauche dans le rack.

Figure 2-15. Installation des rails coulissants pour une configuration à montage central



Installation à encastrement

Le kit de rack à deux montants est fourni avec des supports configurés pour une installation à montage central. Pour préparer les rails coulissants pour une installation à encastrement dans le rack à deux montants, procédez comme suit :

- 1 Repérez les deux rails coulissants et placez-les côte à côte sur une surface de travail lisse, en orientant les extrémités avant des rails vers vous. Positionnez les deux rails coulissants de façon à ce que les supports centraux soient orientés vers le haut (voir la Figure 2-16).

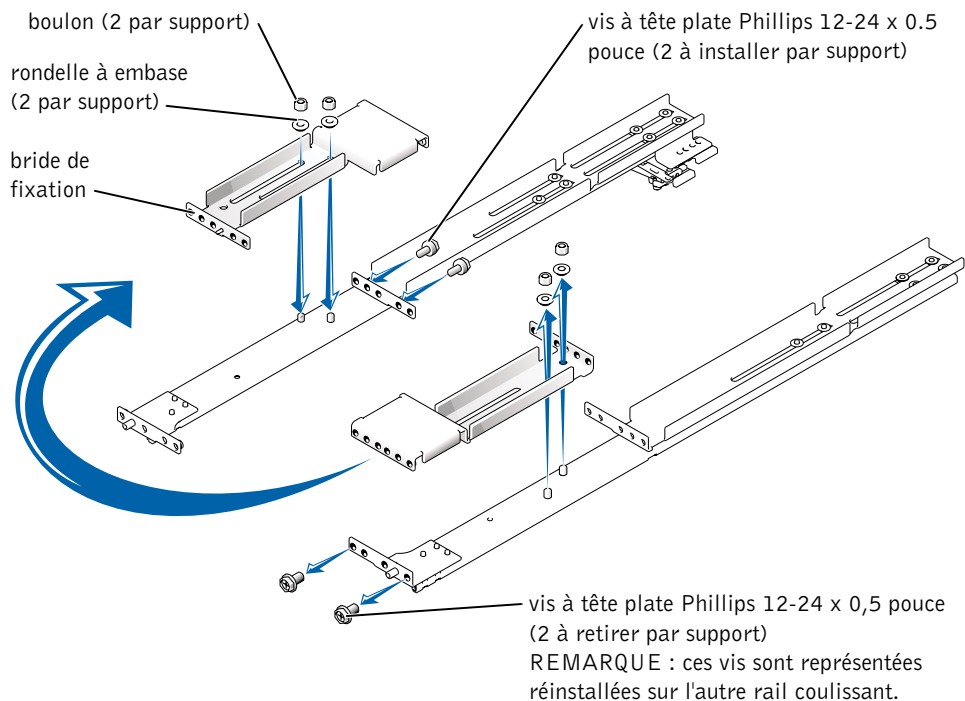


REMARQUE : Pour préparer les rails coulissants pour une installation à encastrement, retirez le support de montage avant, faites-le pivoter de 180 degrés, puis réinstallez-le sur le rail coulissant opposé.

- 2 A l'aide d'un tournevis Phillips n° 2 et d'une clé 11/32 pouces ou d'une clé à pipe, retirez deux vis Phillips 12-24 x 0,5 pouces, deux boulons et deux rondelles à embase de chaque support central avant (voir la Figure 2-16).
- 3 Retirez le support avant des deux rails coulissants.
- 4 Placez le support d'un rail coulissant sur les goujons filetés du rail opposé, en ayant fait pivoter le support de 180 degrés afin d'orienter face vers l'avant la bride de montage (voir la Figure 2-16).
- 5 Resserrez à la main chaque support de montage central avant (à l'aide de ses boulons et de ses rondelles à embase) sur leur côté opposé à l'aide des deux rondelles à embase et des deux boulons que vous avez retirés à l'étape 2 (voir la Figure 2-16).

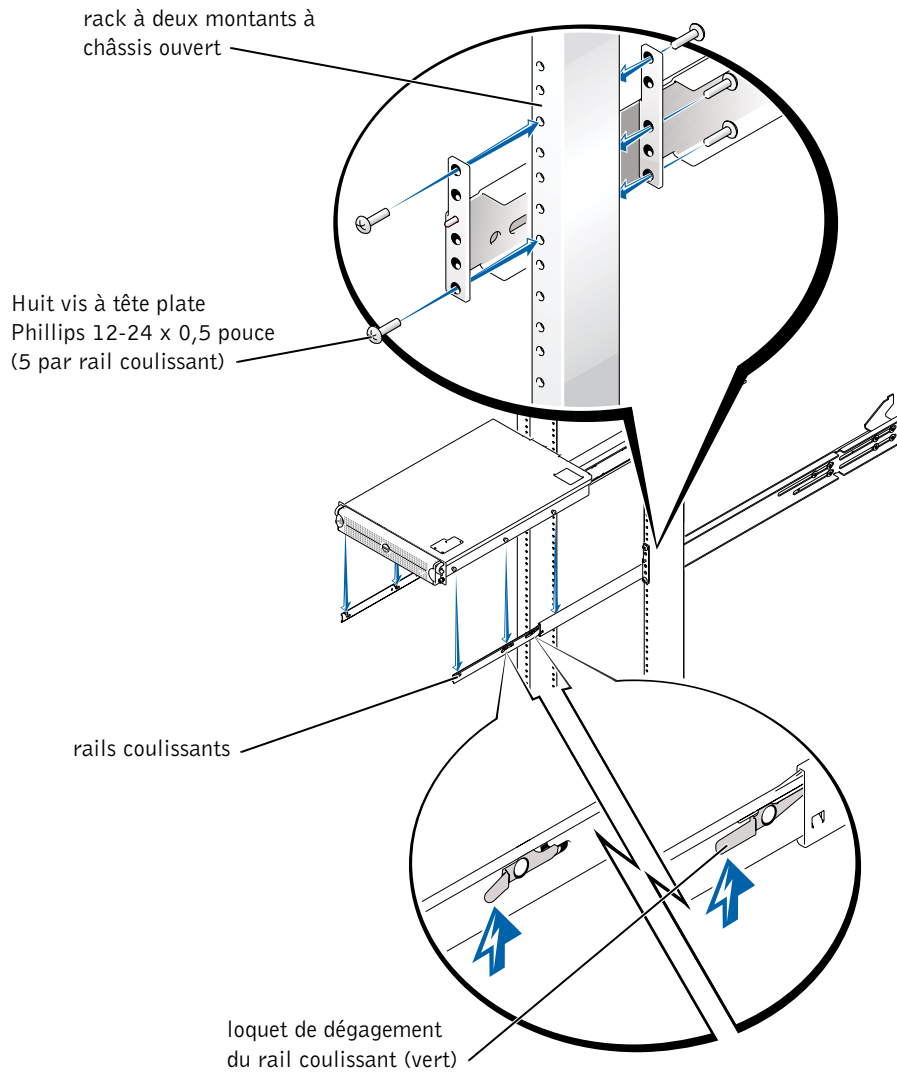
Le support ainsi assemblé devient le nouveau support arrière étendu.

Figure 2-16. Rotation du support de montage avant pour une installation à encastrement





- 6 Répétez les étapes 4 à 5 pour configurer l'autre rail coulissant.
- 7 En maintenant le rail coulissant gauche à l'emplacement que vous avez marqué dans le rack à deux montants, effectuez un réglage serré du support arrière étendu contre l'arrière du rack vertical à deux montants, et fixez-le à l'aide de trois vis à tête Phillips 12-24 x 0,5-pouce (voir la Figure 2-17).
- 8 Fixez le support avant sur le rail coulissant au rack à deux montants à l'aide de deux vis à tête plate Phillips 12-24 x 0,5 pouce (voir la Figure 2-17).
- 9 Répétez les étapes 7 et 8 pour installer le rail coulissant droit dans le rack.
- 10 A l'aide d'une clé 11/32 pouces ou d'une clé à pipe, resserrez à fond les boulons que vous aviez serrés à la main sur les supports de montage des deux rails coulissants.

Figure 2-17. Installation des rails coulissants pour une configuration à encastré



Installation du système dans le rack

 **ATTENTION** : en raison de la taille et du poids du système, ne tentez jamais de l'installer seul.

 **REMARQUE** : La procédure d'installation d'un système dans un rack est identique à celle des rails coulissants à encastrement ou à montage central.

1 Tirez à fond les rails coulissants vers l'extérieur.

 **ATTENTION** : En raison de la taille et du poids du système, ne tentez jamais de l'installer seul dans les rails coulissants.

2 Soulevez le système et placez-le dans la bonne position (voir la Figure 2-17).

3 Placez une main sur la partie inférieure avant du système et l'autre main sur la partie inférieure arrière du système.

4 Inclinez l'arrière du système vers le bas tout en faisant correspondre les vis à épaulement arrière, sur les côtés du système, avec les fentes arrière des rails coulissants.


5 Engagez les vis à épaulement arrière dans leurs fentes.

6 Abaissez l'avant du système et engagez les vis à épaulement avant et centrale dans leurs fentes (la fente centrale se trouve juste derrière le loquet de dégagement jaune du système) (voir la Figure 2-17).

Lorsque toutes les vis à épaulement sont en place, le loquet jaune sur chaque rail coulissant s'enclenche et verrouille le système dans le rail coulissant.

7 Exercez une pression vers le haut sur le loquet de dégagement vert de chaque rail pour faire coulisser le système entièrement dans le rack (voir la Figure 2-17).

8 Enfoncez et serrez les vis à molette captives situées de chaque côté du panneau du châssis avant pour fixer le système sur le rack.

 **REMARQUE** : Utilisez toujours le loquet jaune pour retirer le système des rails coulissants.

Installation du bras de maintien des câbles

Reportez-vous à "Installation du bras de maintien des câbles" dans la section "Installation d'un rack à quatre montants" au début de ce document.

Routage des câbles

Reportez-vous à "Routage des câbles" dans la section "Installation d'un rack à quatre montants" au début de ce document.

Vous avez maintenant terminé l'installation du kit de rack dans un rack à deux montants.

Index

B

bras de maintien des câbles, 2-14
installation, 2-14, 2-29
routage des câbles, 2-18, 2-29

C

câbles, 2-18
contenu
 Kit RapidRails, 2-5
 Kit VersaRails, 2-6
contenu du kit
 RapidRails, 2-5
 VersaRails, 2-6
Contenu du kit RapidRails, 2-5
Contenu du kit VersaRails
 liste, 2-6

I

installation
 bras de maintien des câbles,
 2-14, 2-29
 rails coulissants, 2-23
installation dans le rack
 système, 2-13, 2-14

installation du système
 rack à deux montants, 2-29
 rack à quatre montants, 2-13
instructions de sécurité, 2-1

K

kit à deux montants
 installation des rails
 coulissants, 2-23
 installation du bras de
 maintien des câbles, 2-29
 installation du système, 2-29
 marquage du rack, 2-21
 opérations, 2-20
 Outils, 2-20
 routage des câbles, 2-29

M

marquage du rack
 kit à deux montants, 2-21
 kits à quatre montants, 2-7

O

opérations
 kit à deux montants, 2-20
Outils
 kit à deux montants, 2-20
outils et fournitures
 kits à quatre montants, 2-5

P

pieds stabilisateurs du
 rack, 2-4
portes
 réinstallation, 2-19
 retrait, 2-6
précautions de montage des
 racks, 2-3

R

rails verticaux
 marquage, 2-7
 unité à un rack, 2-7
routage, 2-18
routage des câbles, 2-17, 2-29

S

spécifications de rack requises
pour les rails
VersaRails, 2-3

U

unité de rack, 2-7

V

VersaRails
contenu du kit, 2-6

Dell™-Systeme

Rack- Installationsanleitung



Hinweis, Bitte Beachten und Vorsicht



HINWEIS: Ein HINWEIS enthält wichtige Informationen, mit deren Hilfe Sie Ihren Computer besser nutzen können.



BITTE BEACHTEN: BITTE BEACHTEN weist auf eine mögliche Beschädigung von Hardware oder den Verlust von Daten hin und beschreibt, wie dieses Problem vermieden werden kann.



VORSICHT: VORSICHT weist darauf hin, dass die Gefahr für einen Sachschaden, Personenschaden oder Lebensgefahr besteht.

Die in diesem Dokument enthaltenen Informationen können ohne Vorankündigung geändert werden.

© 2002 Dell Computer Corporation. Alle Rechte vorbehalten.

Eine Reproduktion dieses Dokuments in jeglicher Form ist nur mit vorheriger schriftlicher Genehmigung der Dell Computer Corporation erlaubt.

Die in diesem Text verwendeten Warenzeichen: *Dell*, das *DELL*-Logo, *VersaRails* und *RapidRails* sind Warenzeichen der Dell Computer Corporation.

Andere in diesem Dokument möglicherweise verwendete Warenzeichen und Handelsbezeichnungen sind unter Umständen Marken und Namen der entsprechenden Firmen oder ihrer Produkte. Die Dell Computer Corporation erhebt keinen Anspruch auf Warenzeichen oder Handelsnamen mit Ausnahme ihrer eigenen.

Inhalt

Sicherheitshinweise	3-1
Installationsanleitung	3-2
Installation des Racks mit vier Stützen	3-3
Bevor Sie beginnen	3-3
Installationsarbeiten	3-4
Empfohlene Werkzeuge und Zubehör	3-5
Inhalt des RapidRails Rack-Kits	3-5
Inhalt des VersaRails Rack-Kits	3-6
Entfernen der Rack-Türen	3-6
Markieren des Racks	3-7
Befestigen der RapidRails-Gleitschienen	3-9
Befestigen der VersaRails-Gleitschienen	3-11
Installation des Systems im Rack	3-13
Einbau des Kabelarms	3-14
Verlegen der Kabel	3-17
Einsetzen der Rack-Türen	3-19
Installation des Racks für Montage mit zwei Stützen	3-19
Schritte für die Installation des Racks mit zwei Stützen	3-20
Empfohlene Werkzeuge und Zubehör	3-20
Inhalt der Rack-Kits	3-20
Markieren des Racks	3-21
Einbau der Gleitschienen im Rack	3-23
Installieren des Systems im Rack	3-29
Einbau des Kabelarms	3-29
Verlegen der Kabel	3-29

Index

Abbildungen

Abbildung 3-1.	Inhalt des RapidRails Rack-Kits	3-5
Abbildung 3-2.	Inhalt des VersaRails Rack-Kits.	3-6
Abbildung 3-3.	Eine Rack-Einheit.	3-7
Abbildung 3-4.	Markieren der vertikalen Schienen.	3-8
Abbildung 3-5.	Befestigen der RapidRails-Gleitschienen.	3-10
Abbildung 3-6.	Befestigen der VersaRails-Gleitschienen.	3-12
Abbildung 3-7.	Installation des Systems im Rack (RapidRails oder VersaRails).	3-14
Abbildung 3-8.	Einbau des Kabelarms.	3-15
Abbildung 3-9.	Einbau des Kabelarms.	3-16
Abbildung 3-10.	Verlegen der Netzkabel	3-17
Abbildung 3-11.	Verlegen der Kabel	3-18
Abbildung 3-12.	Bestandteile des Rack-Kits für zwei Stützen	3-21
Abbildung 3-13.	Universeller Lochabstand beim offenen Relaisgestell mit zwei Stützen	3-22
Abbildung 3-14.	Weiter Lochabstand beim offenen Relaisgestell mit zwei Stützen	3-22
Abbildung 3-15.	Installation der Gleitschienen für die Mittenmontage	3-25
Abbildung 3-16.	Drehen der vorderen Montagehalterung für bündige Montage.	3-27
Abbildung 3-17.	Installation der Gleitschienen für die bündige Montage.	3-28

Sicherheitshinweise

Beachten Sie die nachfolgenden Sicherheitshinweise, um Ihre eigene Sicherheit zu gewährleisten und Schäden an Ihrem Server, Speichersystem oder Ihren Geräten zu vermeiden. Vollständige Informationen über die Sicherheitsanforderungen und Garantiebedingungen finden Sie in den *Systeminformationen*. Die Garantieinformationen befinden sich entweder dort oder in einem eigenen Dokument.

VORSICHT: Vorsichtsmaßnahmen für Rack-montierbare Produkte

Um die Stabilität und Sicherheit des Racks zu gewährleisten, beachten Sie bitte die folgenden Vorsichtsmaßnahmen. Spezielle Warnungen und/oder Sicherheitshinweise und Prozeduren finden Sie auch in der zusammen mit dem System gelieferten Dokumentation zur Installation des Racks.

Server, Speichersysteme und Geräte werden als Komponenten in einem Rack betrachtet. Der Begriff „Komponente“ bezieht sich also auf einen Server, ein Speichersystem oder ein Gerät sowie auf verschiedene Peripheriegeräte oder Zusatzhardware.

VORSICHT: Werden Systemkomponenten in einem Rack eingebaut, an dem die vorderen und seitlichen Stabilisatoren fehlen, kann das Rack umkippen, was unter Umständen schwere Verletzungen zur Folge haben kann. Bauen Sie daher immer erst die Stabilisatoren ein, bevor Sie Komponenten im Rack installieren.

Ziehen Sie nach dem Einbau von Systemen/Komponenten in einem Rack niemals mehr als eine Komponente gleichzeitig auf ihren Gleitschienen aus dem Rack. Durch das Gewicht von mehr als einer Komponente kann das Rack umkippen und Verletzungen verursachen.



HINWEIS: Ihr System ist als frei stehende Einheit und für die Verwendung als Komponente in Gestellschränken sicherheitszertifiziert, wobei das Customer Rack Kit eingesetzt werden muss, wenn sowohl der Gestellschrank als auch das Rack-Kit für Ihr System entwickelt wurden. Die Installation Ihres Systems und Rack-Kits in anderen Gestellschränken wurde von keiner Prüfbehörde untersucht. Es liegt in Ihrer Verantwortung, die Eignung der endgültigen Kombination von System und Rack-Kit für den Einsatz in einem Gestellschränken durch eine zertifizierte Prüfbehörde untersuchen zu lassen. Der Hersteller lehnt jede Haftung und Gewährleistung für solche Kombinationen ab.

- System-Rack-Kits müssen von geschulten Servicetechnikern in einem genehmigten Rack installiert werden. Wenn Sie das Kit in einem anderen Rack installieren, vergewissern Sie sich, dass das Rack die Spezifikationen erfüllt.

VORSICHT: Bewegen Sie große Racks nicht alleine. Wegen der Höhe und des Gewichts des Racks sollte diese Aufgabe von mindestens zwei Personen gemeinsam durchgeführt werden.

- Bevor Sie an einem Rack arbeiten, vergewissern Sie sich, dass die Stabilisatoren sicher am Rack befestigt sind, bis auf den Boden reichen und dass das gesamte Gewicht des Racks auf dem Boden lastet. Befestigen Sie an einem einzelnen Rack vordere und seitliche Stabilisatoren bzw. vordere Stabilisatoren an mehreren miteinander verbundenen Racks, bevor Sie an dem Rack arbeiten.
- Beladen Sie das Rack immer von unten nach oben und bauen Sie die schwerste Komponente zuerst im Rack ein.
- Vergewissern Sie sich, dass das Rack eben und stabil steht, bevor Sie eine Komponente aus dem Rack ziehen.
- Seien Sie vorsichtig, wenn Sie auf die Verriegelung der Schiene der Komponente drücken und eine Komponente in das Rack schieben oder aus dem Rack ziehen, da Sie sich in den Gleitschienen die Finger klemmen könnten.
- Nachdem eine Komponente in das Rack eingesetzt worden ist, ziehen Sie die Schienen vorsichtig bis in die Verriegelungsposition heraus und schieben Sie dann die Komponente in das Rack.
- Überlasten Sie nicht den Stromkreis, über den das Rack mit Strom versorgt wird. Die Gesamtlast des Racks sollte 80 Prozent der Nennbelastung des Stromkreises nicht überschreiten.
- Stellen Sie sicher, dass eine ausreichende Luftzufuhr zu den Komponenten im Rack gewährleistet ist.
- Treten Sie nicht auf ein System / eine Komponente und stellen Sie sich nicht darauf, wenn Sie an anderen Systemen / Komponenten in einem Rack Arbeiten durchführen.

Installationsanleitung


Diese Installationsanleitung enthält Anweisungen für geschulte Servicetechniker zur Installation eines oder mehrerer Systeme in einem offenen Relaisgestell oder einem Gestellschrank. Das RapidRails™ Rack-Kit kann ohne Werkzeug in allen Gestellschränken des Herstellers installiert werden, das VersaRails™ Rack-Kit in den meisten Standardgestellschränken. Die Vorgehensweise bei der Installation ist für RapidRails und VersaRails Rack-Kits gleich. Für jedes im Gestellschrank zu installierende System wird ein Rack-Kit benötigt.

Diese Anleitung enthält Prozeduren für die folgenden Rack-Kits:

- RapidRails-Kit in einem Gestellschrank mit vier Stützen
- VersaRails-Kit in einem Gestellschrank mit vier Stützen
- Kit für zwei Stützen (entweder für Mittenmontage oder bündige Montage für 3 oder 6 Zoll breite Racks)

Zur leichteren Fehlersuche und Überprüfung des Systemzustands enthalten alle diese Rack-Kits ein Statusanzeigenkabel, das die Daten von den zweifarbigen Statusanzeigen an der Vorder- und Rückwand zur Rückseite des Kabelarms leitet. Weitere Informationen zu diesen Anzeigen finden Sie im *Benutzerhandbuch* Ihres Systems.

Bevor Sie mit der Installation beginnen, lesen Sie dieses gesamte Dokument sorgfältig durch.

 **VORSICHT: Installieren Sie keine Rack-Kit-Komponenten, die für andere Systeme vorgesehen sind. Verwenden Sie ausschließlich das für Ihr System konzipierte Rack-Kit. Wenn Sie das Rack-Kit für ein anderes System verwenden, kann das System beschädigt werden und Sie selbst oder andere Personen könnten sich verletzen.**

Rack-Anforderungen für VersaRails


 **BITTE BEACHTEN:** Das VersaRails Rack-Kit muss von geschulten Servicetechnikern in einem Rack installiert werden, das den Spezifikationen des American National Standards Institute (ANSI) / Electronic Industries Association (EIA) Standard ANSI/EIA-310-D-92, der International Electrotechnical Commission (IEC) 297 und der Deutschen Industrie Norm (DIN) 41494 entspricht. Für jedes System, das in einem Rack installiert wird, wird ein Rack-Kit benötigt.


Installation des Racks mit vier Stützen

Bevor Sie mit der Installation beginnen, lesen Sie die gesamte Vorgehensweise sorgfältig durch.

Bevor Sie beginnen

Lesen Sie vor der Installation Ihres Systems in dem Rack sorgfältig die „Sicherheitshinweise“ am Anfang dieser Anleitung sowie die Sicherheitshinweise im Dokument *Systeminformation* für Ihr System.

 **VORSICHT: Wenn Sie mehrere Systeme in einem Rack installieren, führen Sie immer zuerst alle Schritte für das gerade installierte System durch, bevor Sie mit dem nächsten System beginnen.**

 **VORSICHT: Gestellschränke können sehr schwer sein und leicht auf ihren Rollen wegrollen. Die Schränke haben keine Bremsen. Bewegen Sie den Gestellschrank nur mit größter Vorsicht. Fahren Sie die höhenverstellbaren Füße ein, wenn Sie den Gestellschrank verschieben. Vermeiden Sie lange bzw. steile Neigungen oder Rampen, auf denen Sie die Kontrolle über den Gestellschrank verlieren könnten. Fahren Sie die höhenverstellbaren Füße aus, um den Gestellschrank abzustützen und ein Wegrollen zu verhindern.**

Wichtige Sicherheitsinformationen

Beachten Sie bei der Installation Ihres Systems im Rack die Sicherheitsmaßnahmen in den folgenden Unterabschnitten.

⚠ VORSICHT: Befolgen Sie die in diesem Dokument angegebenen Prozeduren genau, damit Sie selbst und Ihre Mitarbeiter nicht gefährdet werden. Ihr System kann sehr groß und schwer sein. Sie sollten die Installation also gründlich vorbereiten und planen, um Verletzungen zu vermeiden. Dies gilt besonders, wenn Systeme oben im Rack installiert werden.

Rack-Stabilisatoren

⚠ VORSICHT: Werden Systeme in einem Rack installiert, an dem die vorderen und seitlichen Stabilisatoren fehlen, kann das Rack umkippen, was unter Umständen schwere Verletzungen nach sich ziehen kann. Befestigen Sie daher immer zuerst die Stabilisatoren, bevor Sie Komponenten im Rack installieren.

⚠ VORSICHT: Wenn Sie die Systeme in einem Rack installiert haben, ziehen Sie niemals mehr als ein System gleichzeitig auf den Gleitschienen aus dem Rack. Durch das Gewicht von mehr als einem herausgezogenen System kann das Rack umkippen, was Verletzungen verursachen kann.

Die Stabilisatoren verhindern, dass das Rack umkippt, wenn ein System oder eine andere Komponente auf den Gleitschienen vollständig aus dem Rack gezogen wird. Anleitungen zur Installation und Befestigung der Stabilisatoren finden Sie in der Dokumentation des Gestellschranks.

Installationsarbeiten

Bei der Installation eines Rack-Kits sind die Arbeitsschritte in der nummerierten Reihenfolge auszuführen:

- 1 Entfernen der Rack-Türen
- 2 Markieren des Racks
- 3 Installation der Gleitschienen im Rack:
 - Installation der RapidRails
 - Installation der VersaRails
- 4 Installation des Systems im Rack
- 5 Befestigen des Kabelarms
- 6 Verlegen der Kabel
- 7 Austauschen der Rack-Türen

Empfohlene Werkzeuge und Zubehör

Für die Installation des Systems in einem Rack mit vier Stützen benötigen Sie eventuell folgende Werkzeuge und Zubehörteile:

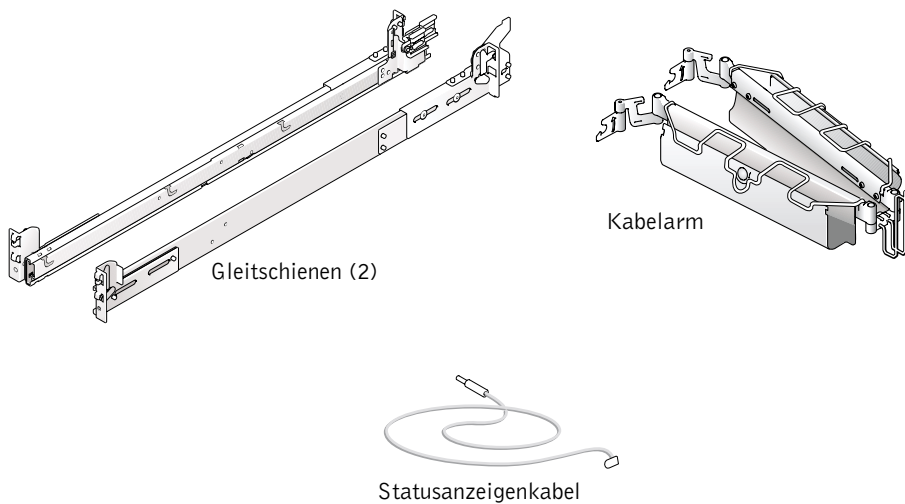
- Einen Kreuzschlitz-Schraubendreher Nr. 2 (für die Befestigung der VersaRails-Gleitschienen)
- Kreppband oder einen Filzstift zur Markierung der verwendeten Montagelöcher

Inhalt des RapidRails Rack-Kits

Das RapidRails Rack-Kit enthält folgende Teile (siehe Abbildung 3-1):

- Ein Paar RapidRails-Gleitschienen
- Ein Kabelarm
- Ein Statusanzeigenkabel
- Kabelbinder

Abbildung 3-1. Inhalt des RapidRails Rack-Kits



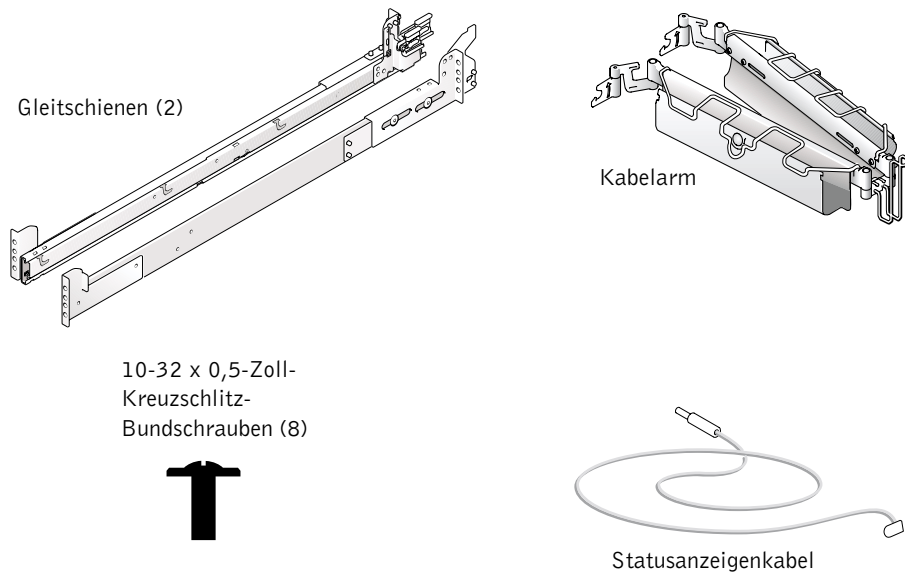
Inhalt des VersaRails Rack-Kits

Das VersaRails Rack-Kit enthält folgende Teile (siehe Abbildung 3-2):

- Ein Paar VersaRails-Gleitschienen
- Ein Kabelarm
- Ein Statusanzeigenkabel
- Acht 10-32 x 0,5-Zoll Kreuzschlitz-Bundschrauben
- Kabelbinder

HINWEIS: Die in den Abbildungen und Prozeduren genannten nichtmetrischen Schrauben werden nach ihrer Größe und der Anzahl der Windungen pro Zoll bezeichnet. Beispielsweise wird eine Kreuzschlitzschraube Nr. 10 mit 32 Windungen pro Zoll als 10-32-Schraube bezeichnet.

Abbildung 3-2. Inhalt des VersaRails Rack-Kits



Entfernen der Rack-Türen

Siehe Vorgehensweise zum Entfernen der Türen in der Dokumentation Ihres Gestellschranks.

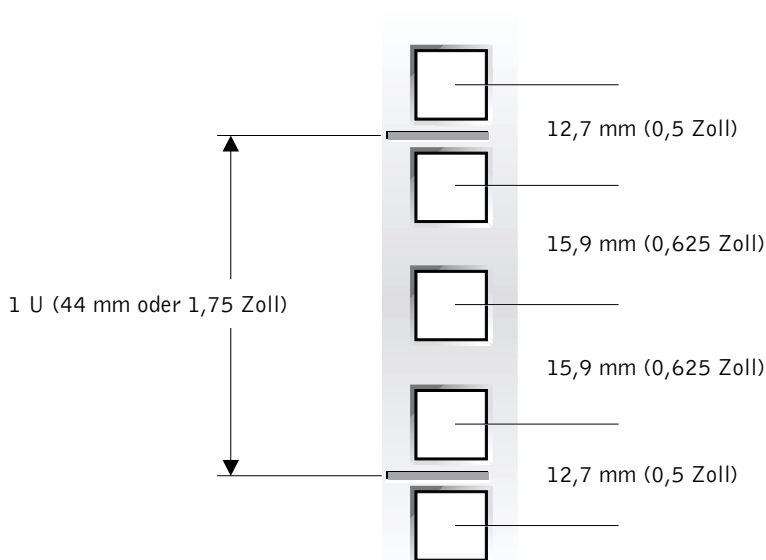
- ⚠ VORSICHT:** Die Gestellschrankschranktüren sind sehr groß und schwer, also sollten Sie keinesfalls versuchen, sie ohne fremde Hilfe abzunehmen oder einzubauen.
- ⚠ VORSICHT:** Stellen Sie die Türen an einen Platz, wo niemand verletzt wird, wenn die Türen versehentlich umfallen.

Markieren des Racks

Zwischen allen Systemen, die Sie im Rack einbauen, müssen Sie einen vertikalen Abstand von 2 U (88 mm bzw. 3,5 Zoll) lassen. Gestellschränke, die den EIA-310-Standards entsprechen, haben ein sich wiederholendes Muster aus drei Löchern pro Rack-Einheit, deren Mittenabstand zueinander (beginnend in der Mitte des oberen Lochs einer 1-U-Einheit) 15,9 mm, 15,9 mm und 12,7 mm (0,625, 0,625 und 0,5 Zoll) für die vorderen und hinteren vertikalen Schienen beträgt (siehe Abbildung 3-3). Die Gestellschränke haben wahrscheinlich runde oder rechteckige Löcher.

HINWEIS: Die vertikalen Schienen sind eventuell mit horizontalen Linien und Nummern in Abständen von 1 U markiert. Am besten notieren Sie sich die Nummer der Markierung auf der vertikalen Schiene. So brauchen Sie keine zusätzlichen Markierungen oder Kreppband am Rack anzubringen. Wenn Sie sich für dieses Verfahren entscheiden, gehen Sie direkt zum Abschnitt „Befestigen der RapidRail-Gleitschienen“.

Abbildung 3-3. Eine Rack-Einheit



VORSICHT: Wenn Sie mehr als ein System installieren, installieren Sie die Gleitschienen so, dass das erste System in der untersten möglichen Position im Rack installiert ist.

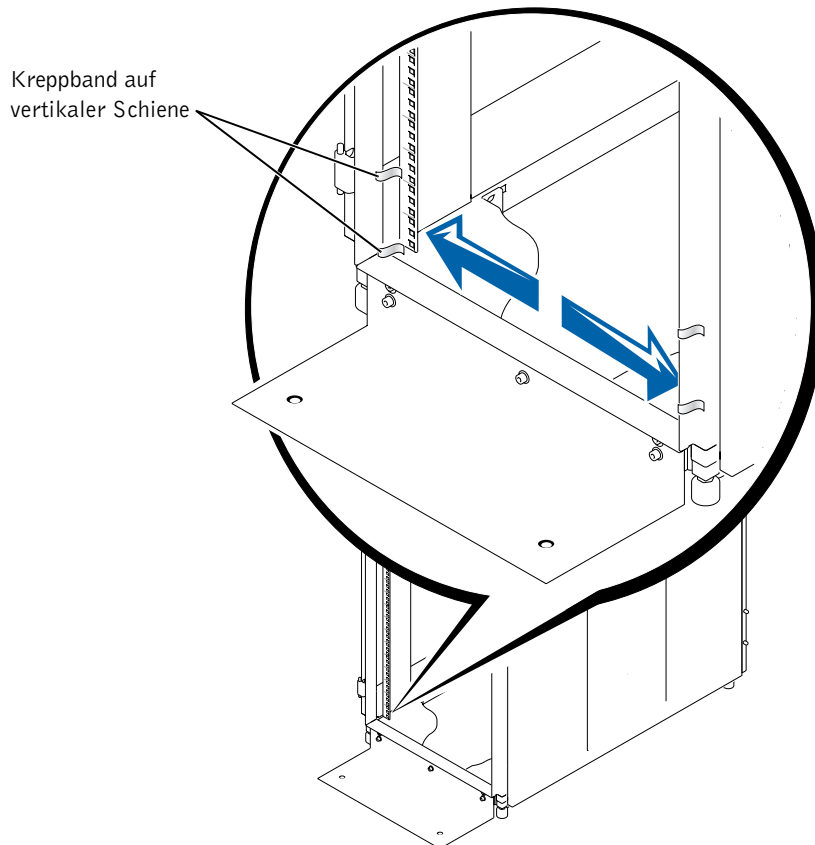
Um das Rack zu markieren, gehen Sie wie folgt vor:

- 1 Bringen Sie auf den vorderen vertikalen Schienen des Racks eine Markierung an der Stelle an, an der sich die Unterseite des Systems befinden soll, das Sie in den Gestellschrank einbauen möchten.

Die Unterkante jeder 1-U-Einheit befindet sich in der Mitte des schmalsten Metallstücks zwischen den Löchern (bei einigen Gestellschränken mit einer horizontalen Linie gekennzeichnet; siehe Abbildung 3-4).

- 2 Bringen Sie 88 mm (3,5 Zoll) über Ihrer ersten Markierung eine weitere Markierung an (oder zählen Sie in einem Rack nach EIA-310-Standard sechs Löcher nach oben). Markieren Sie die vorderen vertikalen Schienen mit einem Filzstift oder einem Stück Kreppband. (Falls Sie die Löcher gezählt haben, bringen Sie direkt über dem oberen Loch eine Markierung an.) Diese Markierung bzw. das Kreppband zeigt an, wo sich später die Oberkante des Systems an den vertikalen Schienen befinden wird (siehe Abbildung 3-4).

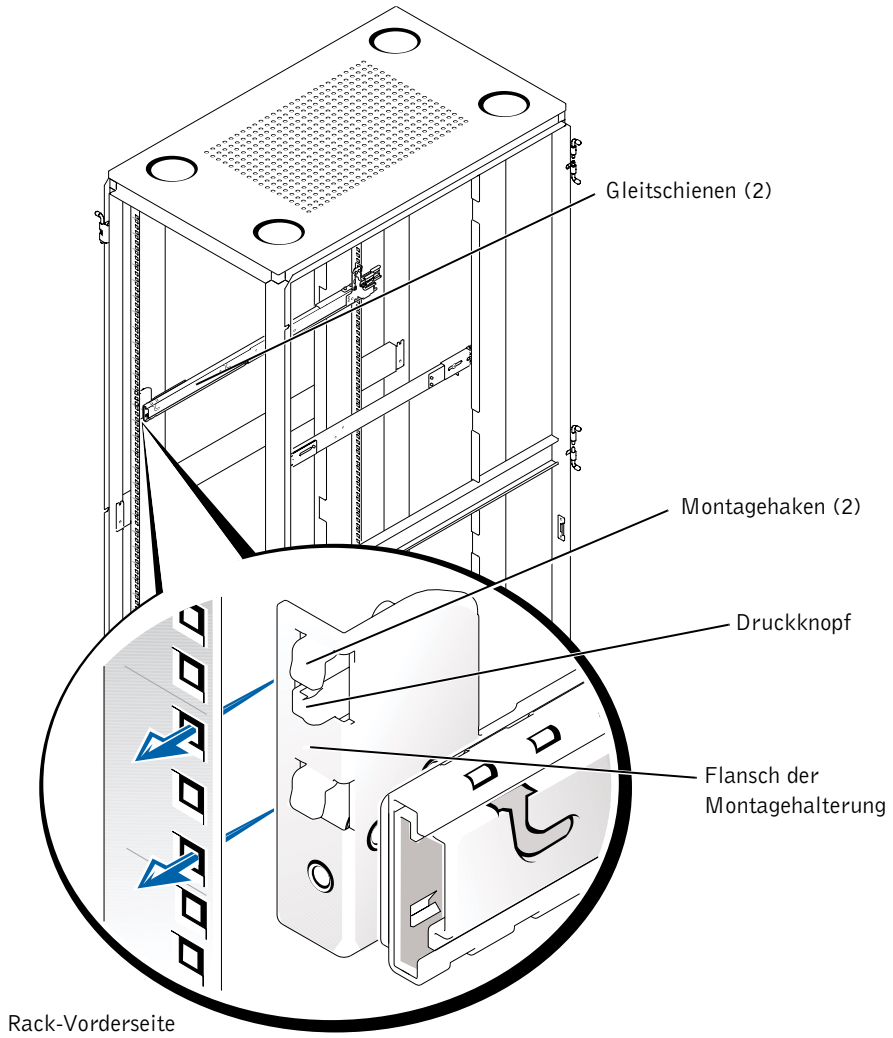
Abbildung 3-4. Markieren der vertikalen Schienen



Befestigen der RapidRails-Gleitschienen

- 1** Setzen Sie eine der RapidRails-Gleitschienen so an der Vorderseite des Gestellschranks an, dass der Montagehalterungsflansch zwischen die Markierungen oder das Kreppband an dem Rack zu liegen kommt (siehe Abbildung 3-5).
Der obere Montagehaken auf dem vorderen Montagehalterungsflansch der Gleitschiene sollte in das obere Loch zwischen Ihren Markierungen auf den vertikalen Schienen eingreifen.
- 2** Drücken Sie die Gleitschiene nach vorn, bis der obere Montagehaken in das markierte obere rechteckige Loch eingreift. Drücken Sie dann den Montagehalterungsflansch nach unten, bis die Montagehaken in die rechteckigen Löcher eingerastet sind, der blaue Druckknopf herauspringt und ein Klicken zu hören ist (siehe Abbildung 3-5).
- 3** Ziehen Sie an der Rückseite des Gestellschranks den Flansch der Montagehalterung nach hinten, bis der obere Montagehaken an dem zugehörigen Loch positioniert ist. Drücken Sie dann den Montagehalterungsflansch nach unten, bis die Montagehaken in die rechteckigen Löcher eingerastet sind, der Druckknopf herauspringt und ein Klicken zu hören ist.
- 4** Wiederholen Sie Schritt 1 bis 3 für die Gleitschienen auf der anderen Seite des Racks.
- 5** Achten Sie darauf, dass die Schienen auf jeder Rack-Seite in der gleichen Höhe an den vertikalen Schienen befestigt werden.

Abbildung 3-5. Befestigen der RapidRails-Gleitschienen



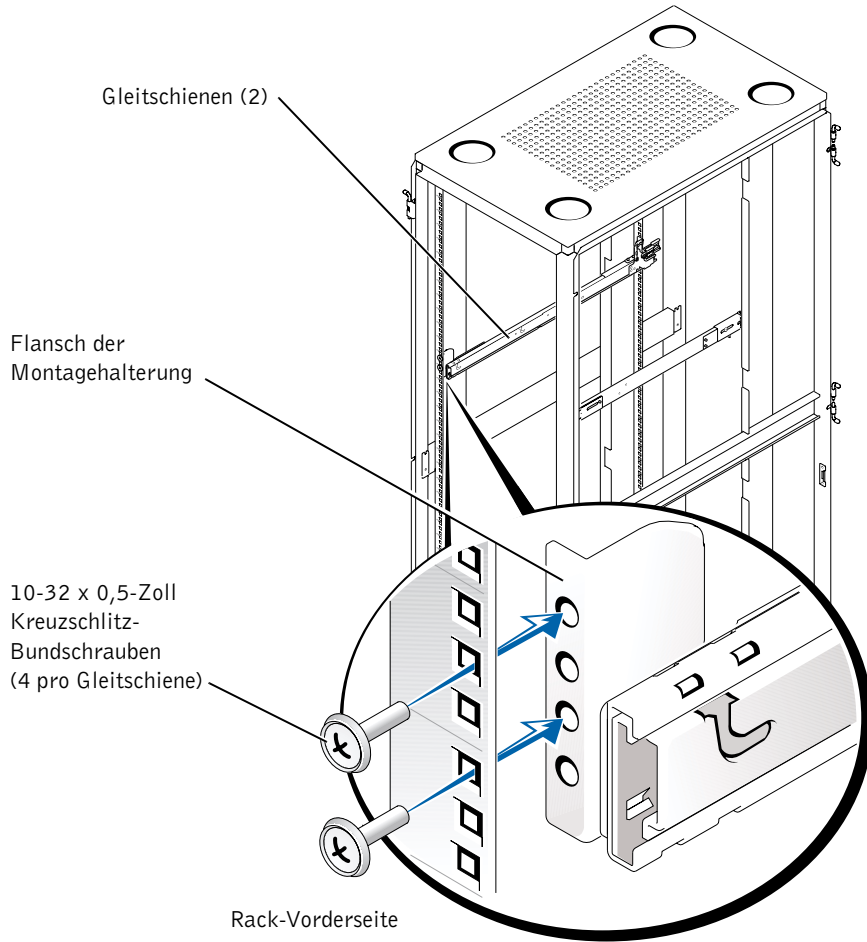
Befestigen der VersaRails-Gleitschienen

- 1** Setzen Sie eine der VersaRails-Gleitschienen so an der Vorderseite des Gestellschranks an, dass der zugehörige Montagehalterungsflansch zwischen die Markierungen / Kreppbänder (oder an die Markierung mit der richtigen Zahl) am Rack passt (siehe Abbildung 3-6).

Die vier Löcher an der Vorderseite der Montagehalterung sollten mit vier Löchern zwischen Ihren Markierungen an der vorderen vertikalen Schiene übereinstimmen.


- 2** Befestigen Sie die Gleitschiene durch je eine 10-32 x 0,5 Zoll (1,27 cm) Kreuzschlitz-Bundschraube im oberen und dritten Loch des Montageflanschs an der vorderen vertikalen Schiene (siehe Abbildung 3-6).
- 3** Ziehen Sie den Montagehalterungsflansch auf der Gestellschrank-Rückseite nach hinten, bis seine Montagelöcher mit den rechteckigen Löchern auf der hinteren vertikalen Schiene übereinstimmen.
- 4** Befestigen Sie die Gleitschiene durch je eine 10-32 x 0,5 Zoll (1,27 cm) Kreuzschlitz-Bundschraube im oberen und dritten Loch des Montageflanschs an der hinteren vertikalen Schiene.
- 5** Wiederholen Sie Schritt 1 bis 4 für die Gleitschienen auf der anderen Seite des Racks.
- 6** Achten Sie darauf, dass die Gleitschienen auf jeder Rack-Seite jeweils in der gleichen Höhe der vertikalen Schienen befestigt werden.

Abbildung 3-6. Befestigen der VersaRails-Gleitschienen



Installation des Systems im Rack

 **VORSICHT:** Wenn Sie mehr als ein System installieren, bauen Sie das erste System in der untersten möglichen Position im Rack ein.

 **VORSICHT:** Ziehen Sie niemals mehr als eine Komponente gleichzeitig aus dem Rack heraus.

- 1 Ziehen Sie die beiden Gleitschienen aus dem Rack, bis sie in der vollständig ausgezogenen Position einrasten.

 **VORSICHT:** Das System ist sehr groß und schwer, also versuchen Sie niemals, es alleine in den Gleitschienen zu installieren.

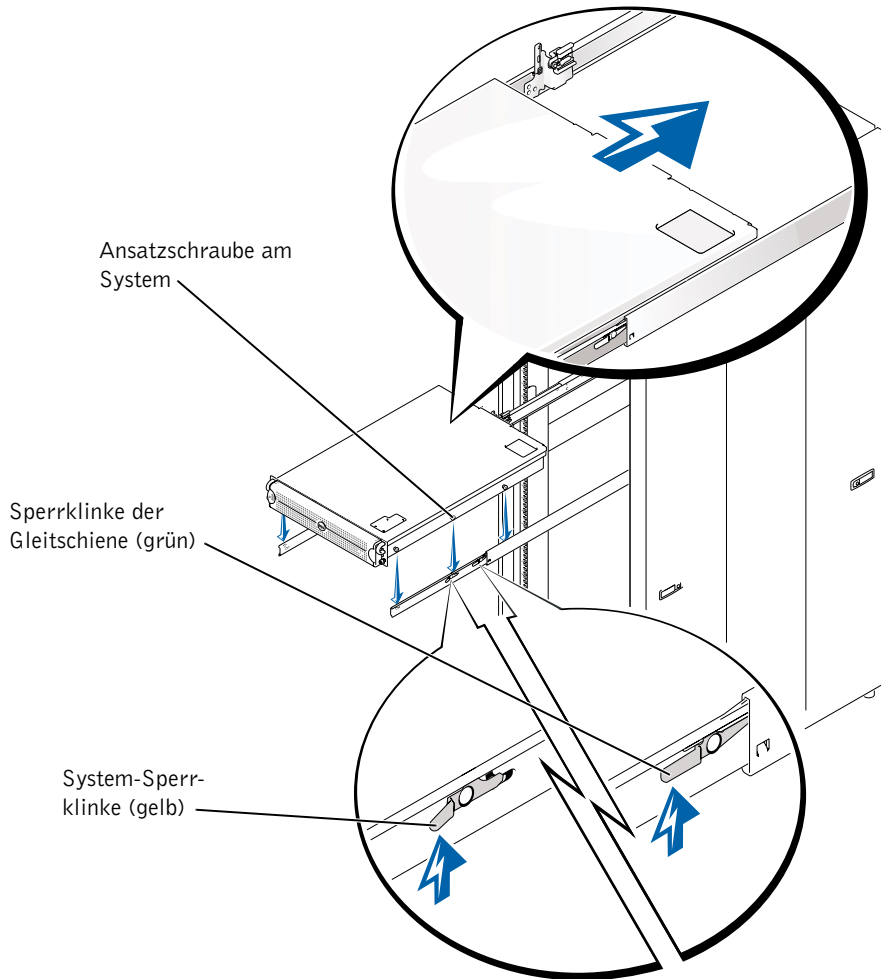
- 2 Heben Sie das System in Position vor die herausgezogenen Gleitschienen.
- 3 Fassen Sie dabei das System mit einer Hand unter dem vorderen und der anderen unter dem hinteren Rand an.
- 4 Kippen Sie die Rückseite des Systems nach unten und bringen Sie die hinteren Ansatzschrauben auf den Seiten des Systems mit den hinteren Schlitzen der Gleitschienen in Übereinstimmung.
- 5 Setzen Sie die hinteren Ansatzschrauben in ihre jeweiligen Einbaupositionen ein.
- 6 Senken Sie die Systemvorderseite ab und führen Sie die vorderen und mittleren Ansatzschrauben in ihre Einbaupositionen ein (die mittlere Position befindet sich genau hinter der gelben Sperrklinke; siehe Abbildung 3-7).

Wenn alle Ansatzschrauben korrekt eingerastet sind, ist bei den gelben Sperrklinken auf den beiden Gleitschienen ein Klicken zu hören. Nun ist das System in den Schienen gesichert.

- 7 Drücken Sie die grünen Sperrklinken an den Seiten der Gleitschienen nach oben, um das System vollständig ins Rack zu schieben (siehe Abbildung 3-7).
- 8 Befestigen Sie das System im Rack, indem Sie die selbstsichernden Flügelschrauben an der Gehäuse-Frontplatte festschrauben.

 **HINWEIS:** Mit Hilfe der gelben Sperrklinke können Sie das System jederzeit aus den Gleitschienen entfernen.

Abbildung 3-7. Installation des Systems im Rack (RapidRails oder VersaRails)



Einbau des Kabelarms

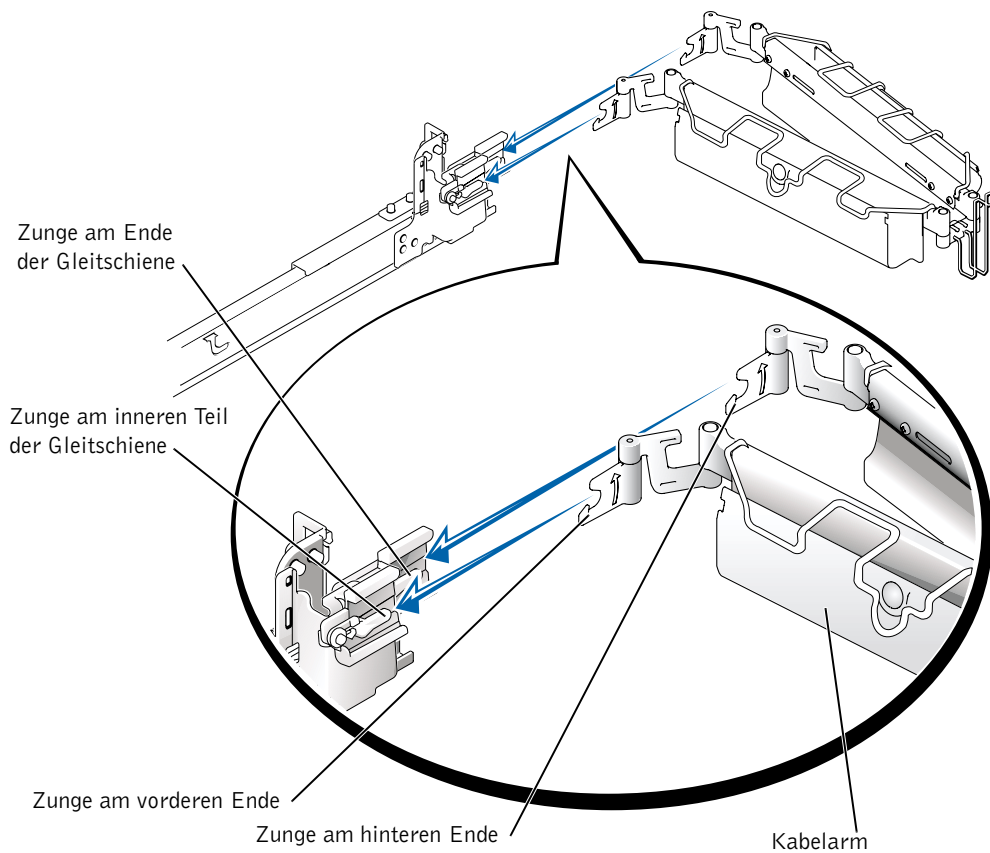
➡ BITTE BEACHTEN: Der Kabelarm kann nur an der rechten Seite des Gestellschranks (von hinten gesehen) befestigt werden.

Um den Kabelarm am System zu befestigen, gehen Sie wie folgt vor:

- 1 Stellen Sie sich hinter den Gestellschrank und suchen Sie die Klinke am Ende der Gleitschiene.

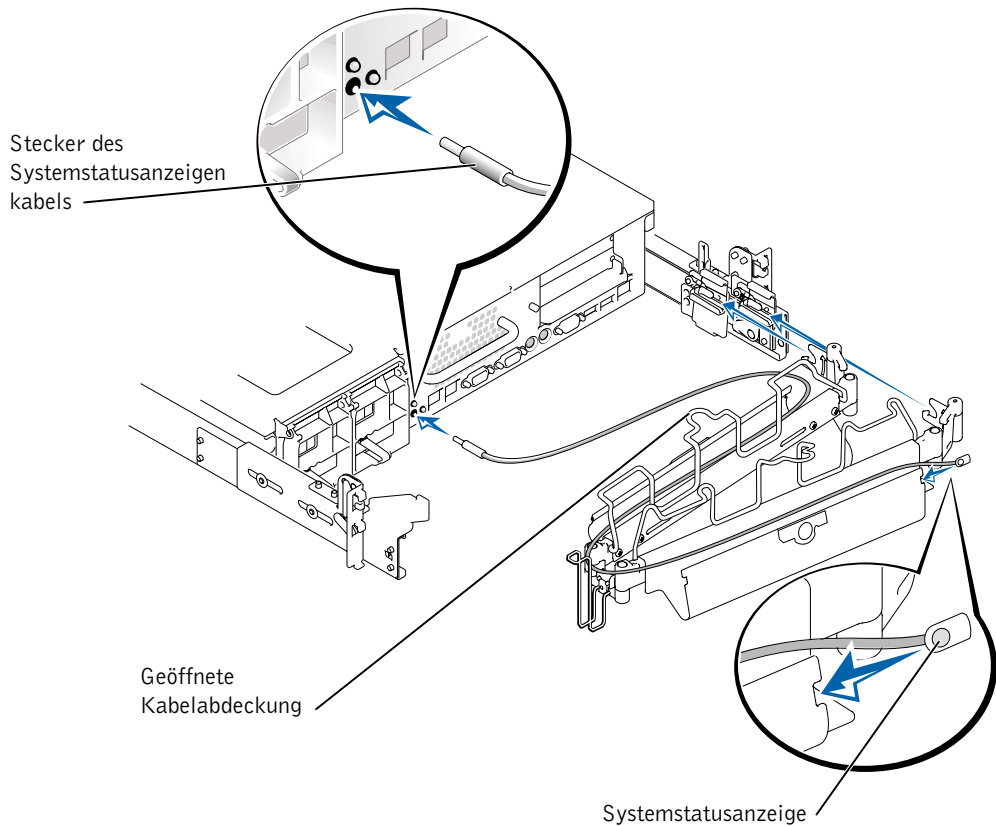
- 2 Drücken Sie die Zunge am hinteren Ende des Kabelarms in die Verriegelung am Ende der Gleitschiene (siehe Abbildung 3-8).
Der Riegel rastet mit einem Klicken ein.
- 3 Drücken Sie die Zunge am vorderen Ende des Kabelarms in den entsprechenden Riegel im inneren Teil der Gleitschiene (siehe Abbildung 3-8).
Der Riegel rastet mit einem Klicken ein.

Abbildung 3-8. Einbau des Kabelarms



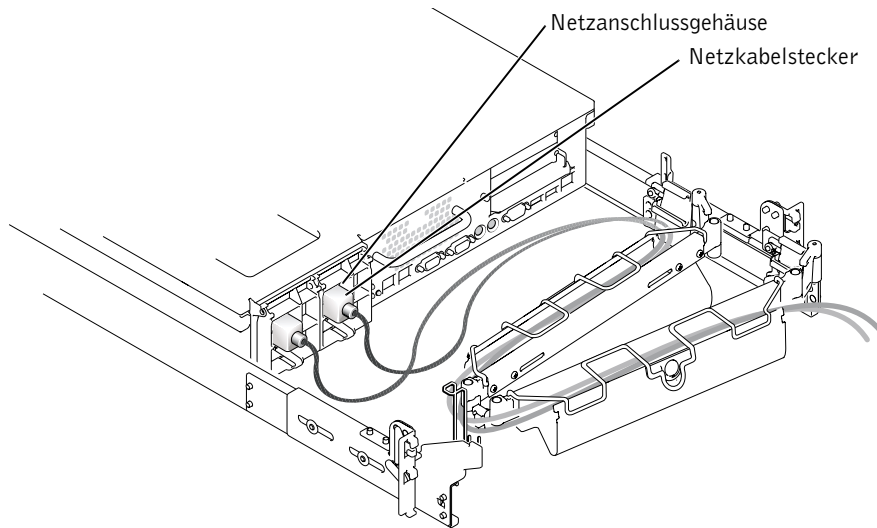
- 4 Stecken Sie den Kabelstecker der Systemstatusanzeige in den zugehörigen Anschluss (siehe Abbildung 3-9).
- 5 Öffnen Sie die Kabelabdeckungen des Kabelarms, indem Sie die Mitte des Kabels über den gewölbten runden Knopf an der Vorderseite des vorderen Teils des Kabelarms und dann über den ähnlichen Knopf auf der Rückseite des Kabelarms heben.
Die Kabelabdeckung öffnet sich und die Kabel können innerhalb des Arms verlegt werden.
- 6 Führen Sie das Kabelende der Systemstatusanzeige durch den Kabelarm und installieren Sie die Anzeige im dafür vorgesehen Steckplatz am hinteren Ende des Kabelarms (siehe Abbildung 3-9).

Abbildung 3-9. Einbau des Kabelarms



- 7 Schließen Sie die Netzkabel an die entsprechenden Anschlüsse an der rückseitigen Abdeckung an (siehe Abbildung 3-10).

Abbildung 3-10. Verlegen der Netzkabel



⚠ VORSICHT: Lassen Sie die Kabel leicht durchhängen, wenn Sie sie um die Scharniere des Kabelarms führen.

Verlegen der Kabel

- 1 Schließen Sie die I/O-Kabelstecker an die entsprechenden Anschlüsse auf der Rückseite des Systems an.

Näheres zu Kabelsteckern finden Sie in der *Anleitung zur Installation und Fehlersuche* und in der *Bedienungsanleitung*.

- 2 Führen Sie das Netz- und I/O-Kabel durch den Kabelarm. Befestigen Sie sie locker mit vier Kabelbindern (zwei in der Mitte und jeweils einer am Ende des Kabelarms). Ziehen Sie die Kabelbinder jetzt noch nicht vollständig fest (siehe Abbildung 3-11).

Lassen Sie die Kabel im Kabelarm leicht durchhängen, um Beschädigungen an den Kabeln zu verhindern.


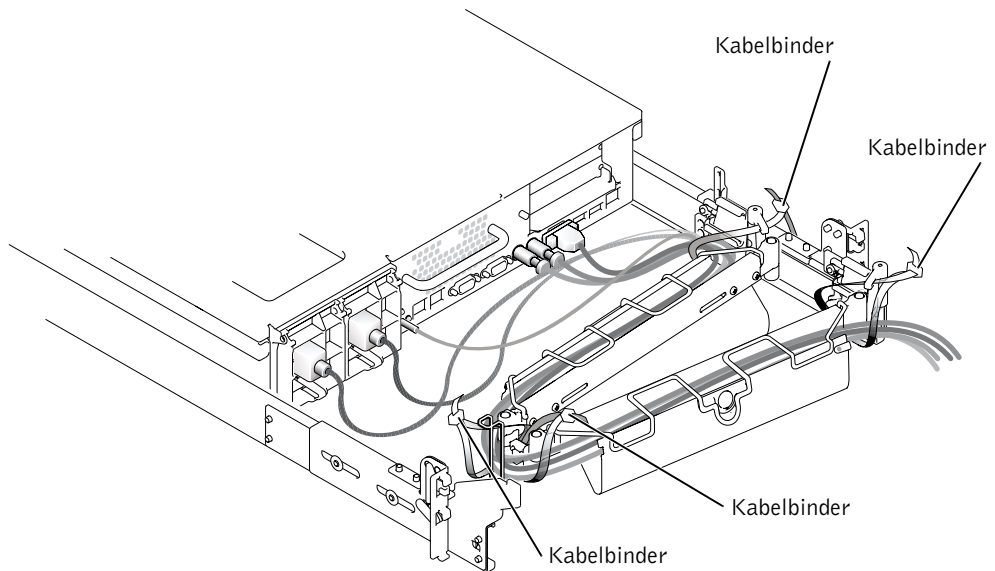
- 3 Befestigen Sie die Kabel am Kabelarm:
 - a Wenn Sie die Kabel am System angeschlossen haben, schrauben Sie die Flügelschrauben heraus, mit denen die Vorderseite des Systems an der vorderen vertikalen Schiene befestigt ist.
 - b Schieben Sie das System in die vollständig ausgezogene Position heraus.
 - c Führen Sie die Kabel am Kabelarm entlang, sorgen Sie für ausreichend Kabelzuschlag an den Scharnieren, befestigen Sie die Kabel mit den Kabelbindern am Kabelarm und schließen Sie die Kabelabdeckungen über dem Kabelarm.
-  **HINWEIS:** Wenn Sie das System vollständig herausziehen, werden die Gleitschienen in der ausgezogenen Position verriegelt. Um das System zurück in das Rack zu schieben, drücken Sie auf die Sperrklinke an der Seite der Gleitschiene und schieben Sie das System dann vollständig in das Rack.
- 4 Schieben Sie das System in das Rack hinein und ziehen Sie es wieder heraus, um zu überprüfen, ob die Kabel korrekt verlegt sind und bei Bewegung des Kabelarms nicht eingeklemmt, gedehnt oder gequetscht werden.
- 5 Ziehen Sie die Kabelbinder gerade so fest an, dass der Kabelzuschlag weder zu groß noch zu klein ist, die Kabel aber trotzdem an Ort und Stelle bleiben, wenn das System in das Rack eingesetzt bzw. herausgezogen wird.

Abbildung 3-11. Verlegen der Kabel



Einsetzen der Rack-Türen

Siehe Vorgehensweise zum Einsetzen der Türen in der Dokumentation Ihres Racks.


 **VORSICHT: Die Gestellschranktüren sind sehr groß und schwer, also sollten Sie niemals versuchen, sie ohne fremde Hilfe abzunehmen oder einzubauen.**

Damit ist die Rack-Installation Ihres Systems in einem Gestellschrank mit vier Stützen abgeschlossen.

Installation des Racks für Montage mit zwei Stützen

Das Rack-Kit für zwei Stützen wird für die Installation eines Systems in einem offenen Relaisgestell mit zwei Stützen verwendet, wie man es zum Beispiel in Telekommunikationsanlagen findet. Es können sowohl 3 Zoll als auch 6 Zoll breite Racks mit zwei Stützen und universellem Lochabstand oder weitem Lochabstand installiert werden. Sie können dieses Kit entweder für die Mittenmontage oder für die bündige Montage verwenden. Das Kit für zwei Stützen enthält Gleitschienen, mit denen das System zur Wartung aus dem Rack gezogen werden kann.

Sie müssen das offene Relaisgestell mit zwei Stützen ordnungsgemäß am Boden, der Decke oder oben an der Wand und soweit möglich an benachbarten Gestellschränken befestigen. Verwenden Sie hierzu Boden- und Wandbefestigungen sowie Stützen, die vom Rack-Hersteller oder durch Industriestandards spezifiziert oder zugelassen sind. Bevor Sie mit der Installation beginnen, lesen Sie bitte die Vorsichtsmaßnahmen in der Installationsanleitung des Herstellers des offenen Relaisgestells mit zwei Stützen.

 **VORSICHT: Versuchen Sie nicht, das System in einem offenen Relaisgestell mit zwei Stützen zu installieren, das nicht sicher befestigt ist. Andernfalls kann das System beschädigt werden oder Sie bzw. andere Personen könnten sich verletzen.**

Weitere Sicherheitshinweise zur Rack-Installation siehe „Sicherheitshinweise“ am Anfang dieses Dokuments.

Schritte für die Installation des Racks mit zwei Stützen

Bei der Installation eines Rack-Kits mit zwei Stützen sind die folgenden Arbeitsschritte in der nummerierten Reihenfolge auszuführen:

- 1 Markieren des Racks
- 2 Installation der Gleitschienen im Rack:
 - Mittenmontage
 - Bündige Montage
- 3 Installation des Systems im Rack
- 4 Einbau des Kabelarms
- 5 Verlegen der Kabel

Empfohlene Werkzeuge und Zubehör

Sie benötigen folgende Werkzeuge und Zubehörteile zur Installation des Systems in einem offenen Relaisgestell mit zwei Stützen:

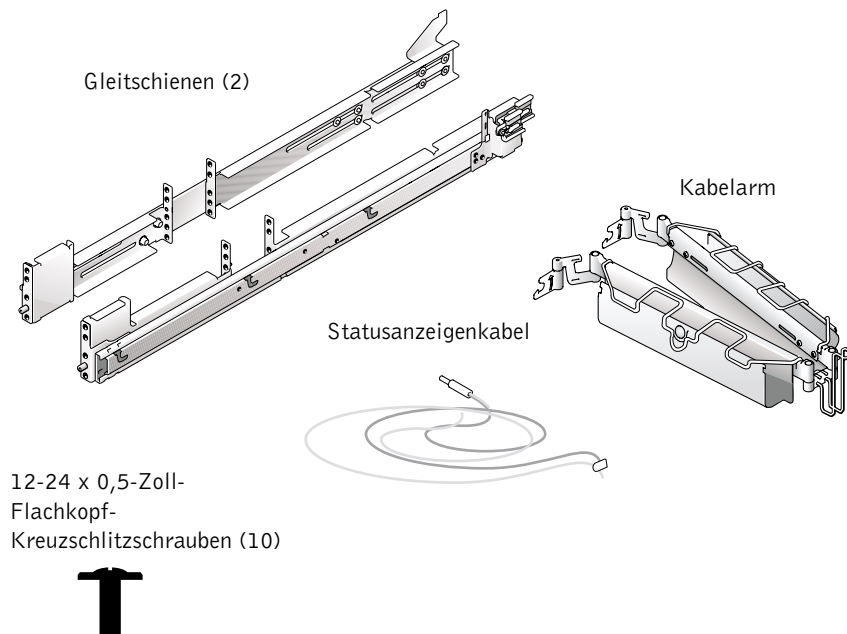
- Kreuzschlitz-Schraubendreher Nr. 2
- 11/32-Zoll Schraubenschlüssel oder Steckschlüssel (bei Wechsel zur bündigen Montage)
- Kreppband oder Filzstift zur Markierung der korrekten Montagelöcher

Inhalt der Rack-Kits

Das Rack-Kit für zwei Stützen enthält folgende Teile (siehe Abbildung 3-12):

- Ein Paar Gleitschienen (zwei Stützen)
- Ein Kabelarm
- Ein Statusanzeigenkabel
- Zehn 12-24 x 0,5-Zoll Flachkopf-Kreuzschlitzschrauben
- Kabelbinder

Abbildung 3-12. Bestandteile des Rack-Kits für zwei Stützen



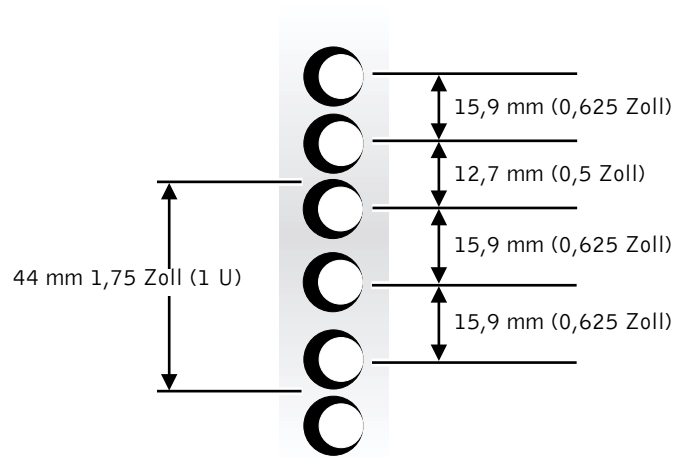
Markieren des Racks

Zwischen verschiedenen Systemen, die Sie im Rack mit zwei Stützen installieren, müssen Sie 2 Einheiten (U = 88 mm bzw. 3,5 Zoll) vertikalen Abstand lassen.

Racks mit universellem Lochabstand

Standard-Racks mit zwei Stützen und universellem Lochabstand haben ein sich wiederholendes Muster aus drei Löchern pro Einheit, deren Mittenabstand (beginnend in der Mitte des oberen Lochs einer 1-U-Einheit) 15,9 mm, 15,9 mm und 12,7 mm (0,625, 0,625 und 0,5 Zoll) für die vordere und hintere vertikale Lochreihe beträgt (siehe Abbildung 3-13).

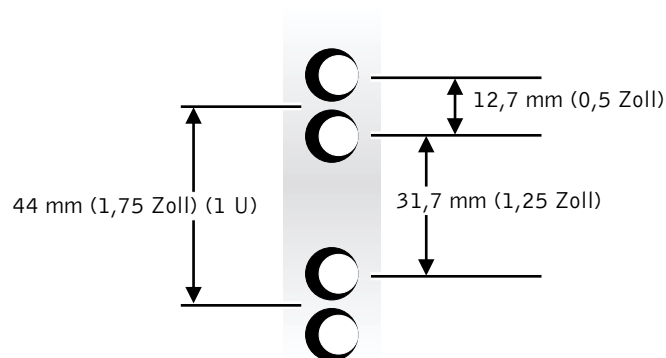
Abbildung 3-13. Universeller Lochabstand beim offenen Relaisgestell mit zwei Stützen



Racks mit weitem Lochabstand

Einige Racks mit zwei Stützen und weitem Lochabstand haben ein sich wiederholendes Muster aus zwei Löchern pro Einheit, deren Mittenabstand (beginnend mit dem oberen Loch einer 1-U-Einheit) 31,7 mm und 12,7 mm (1,25 und 0,5 Zoll) für die vordere und hintere vertikale Lochreihe beträgt (siehe Abbildung 3-14).

Abbildung 3-14. Weiter Lochabstand beim offenen Relaisgestell mit zwei Stützen



Um das Rack zu markieren, gehen Sie wie folgt vor:

- 1 Bringen Sie auf den vorderen vertikalen Schienen des Racks eine Markierung an der Stelle an, an der sich die Unterseite des Systems befinden soll, das Sie in den das Rack mit zwei Stützen einbauen.

Die Unterkante jeder 1-U-Einheit befindet sich in der Mitte des schmalsten Metallstücks zwischen den Löchern.



HINWEIS: Wenn Ihr Rack einen weiten Lochabstand hat, gehen Sie zu Schritt 3.

- 2 Setzen Sie eine Markierung 88 mm (3,5 Zoll) über Ihre erste Markierung (oder zählen Sie in einem Rack mit universellem Lochabstand sechs Löcher nach oben; siehe Abbildung 3-13).

Jede vertikale 1-U-Einheit (44 mm oder 1,75 Zoll) in einem Rack mit universellem Lochabstand hat drei Löcher, deren Mittenabstand zueinander (beginnend mit dem oberen Loch einer 1-U-Einheit) 0,625, 0,625 und 0,5 Zoll beträgt (siehe Abbildung 3-13).



HINWEIS: Wenn Ihr Rack einen universellen Lochabstand hat, ist das Markieren des Racks jetzt abgeschlossen.

- 3 Setzen Sie eine Markierung 88 mm (3,5 Zoll) über Ihre erste Markierung (oder zählen Sie in einem Rack mit weitem Lochabstand bis zum vierten Loch nach oben; siehe Abbildung 3-14).

Jede vertikale 1-U-Einheit (44 mm oder 1,75 Zoll) in einem Rack mit universellem Lochabstand hat zwei Löcher, deren Mittenabstand zueinander (beginnend mit dem oberen Loch einer 1-U-Einheit) 31,7 mm (1,25 Zoll) beträgt (siehe Abbildung 3-14).

Einbau der Gleitschienen im Rack

Sie können die Gleitschienen in einem offen Rack mit zwei Stützen entweder mit universellem Lochabstand (siehe Abbildung 3-13) oder mit weitem Lochabstand (siehe Abbildung 3-14) installieren. Sie können die 2-U-Gleitschienen entweder mit bündiger Montage oder mit Mittenmontage installieren.



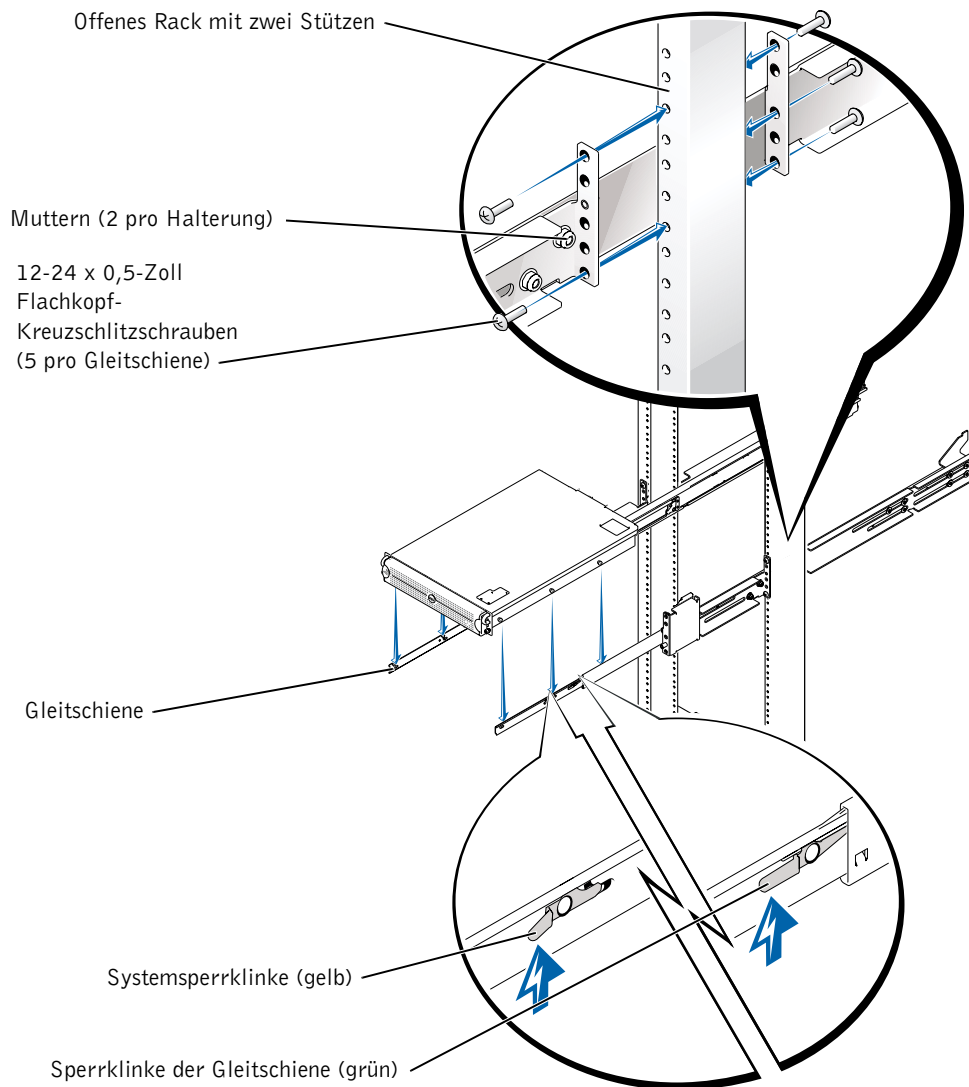
VORSICHT: Versuchen Sie nicht, mit diesem Rack-Kit andere Systeme zu installieren. Verwenden Sie ausschließlich das für Ihr System konzipierte Rack-Kit. Wenn Sie das Rack-Kit für ein anderes System verwenden, kann das System beschädigt werden und Sie selbst oder andere Personen könnten sich verletzen.

Mittenmontage

Im Lieferumfang des Rack-Kits mit zwei Stützen sind Halterungen für eine Mittenmontage enthalten. Um die Installation zu beenden, führen Sie folgende Schritte aus:


- 1** Drücken Sie die hintere Halterung der rechten Gleitschiene nach hinten (siehe Abbildung 3-15).
- 2** Setzen Sie die rechte Gleitschiene in die markierte Position am Rack mit zwei Stützen, drücken Sie die hintere Halterung nach vorne in Richtung auf das vertikale Rack mit zwei Stützen, befestigen Sie die vordere Halterung für die Mittenmontage mit zwei 12-24 x 0,5-Zoll Flachkopf-Kreuzschlitzschrauben und befestigen Sie die hintere Halterung für die Mittenmontage mit drei 12-24 x 0,5-Zoll Flachkopf-Kreuzschlitzschrauben (siehe Abbildung 3-15).
- 3** Wiederholen Sie Schritt 1 und 2, um die linke Gleitschiene im Rack zu installieren.

Abbildung 3-15. Installation der Gleitschienen für die Mittenmontage



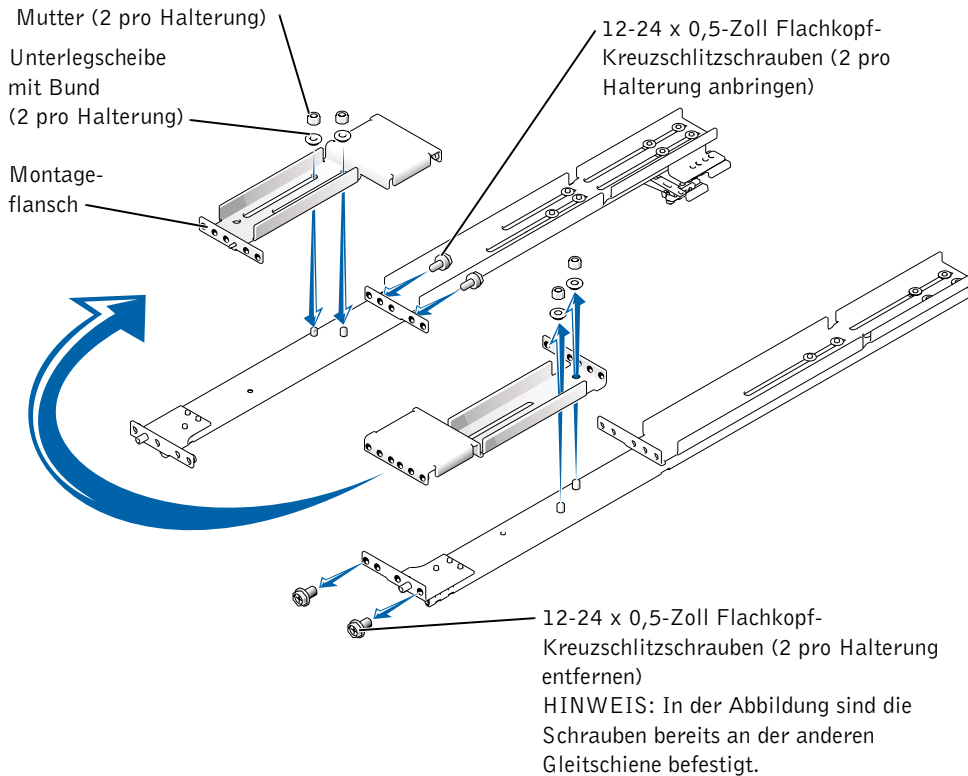
Bündige Montage

Im Lieferumfang des Rack-Kits mit zwei Stützen sind Haltungen für eine Mittenmontage enthalten. Zur Vorbereitung der Gleitschienen für die bündige Montage im Rack mit zwei Stützen führen Sie folgende Schritte aus:

- 1 Legen Sie die beiden Gleitschienen nebeneinander auf eine glatte Arbeitsoberfläche, wobei die vorderen Enden der Gleitschienen zu Ihnen zeigen. Setzen Sie die beiden Gleitschienen so an, dass die Halterungen für die Mittenmontage nach oben zeigen (siehe Abbildung 3-16).
 **HINWEIS:** Zur Vorbereitung der Gleitschienen für die bündige Montage entfernen Sie vordere Montagehalterung, drehen Sie sie um 180 Grad und installieren Sie sie auf der gegenüberliegenden Gleitschiene.
- 2 Entfernen Sie mit einem Kreuzschlitzschraubendreher Nr. 2 und einem 11/32 Schraubenschlüssel bzw. Steckschlüssel die beiden 12-24 x 0,5 Zoll Flachkopf-Kreuzschlitzschrauben, die beiden Muttern und die beiden Unterlegscheiben mit Bund von jeder vorderen Halterung für die Mittenmontage (siehe Abbildung 3-16).
- 3 Entfernen Sie die vordere Halterung aus den beiden Gleitschienen.
- 4 Legen Sie die Halterung einer Gleitschiene auf die Gewindebolzen der gegenüberliegenden Gleitschiene, wobei die Halterung um 180 Grad gedreht wird, so dass der Montageflansch nach vorne zeigt (siehe Abbildung 3-16).
- 5 Befestigen Sie die vorderen Halterungen für die Mittenmontage (mit Hilfe der in Schritt 2 entfernten Muttern und Unterlegscheiben mit Bund), indem Sie sie von Hand an der gegenüberliegenden Gleitschiene festziehen (siehe Abbildung 3-16).

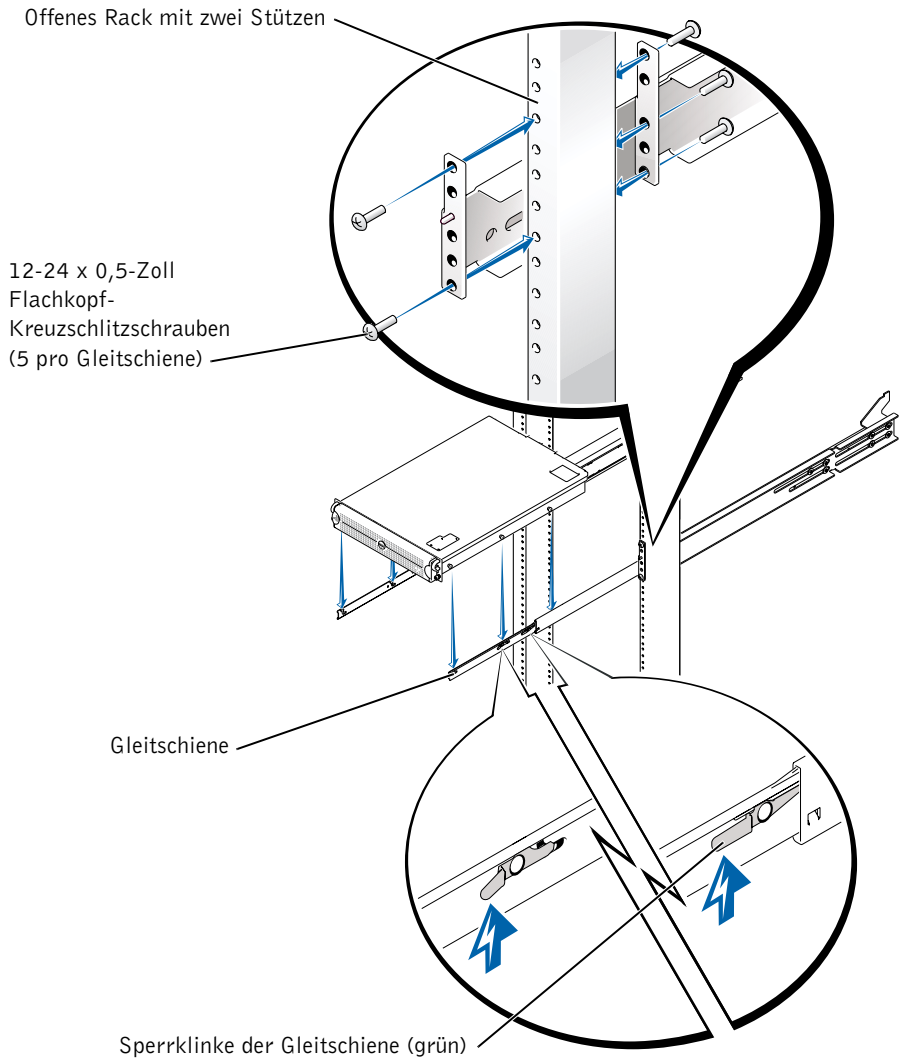
Diese zusammengesetzte Halterung dient nun als neue verlängerte hintere Halterung.

Abbildung 3-16. Drehen der vorderen Montagehalterung für bündige Montage





- 6 Wiederholen Sie Schritt 4 und 5, um die andere Gleitschiene zu montieren.
- 7 Halten Sie die linke Gleitschiene im Rack mit zwei Stützen an die markierte Stelle, stellen Sie die verlängerte hintere Halterung so ein, dass sie fest an der Rückseite des vertikalen Racks mit zwei Stützen anliegt und befestigen Sie sie mit drei 12-24 x 0,5-Zoll Flachkopf-Kreuzschlitzschrauben (siehe Abbildung 3-17).
- 8 Befestigen Sie die vordere Halterung der Gleitschiene mit zwei 12-24 x 0,5-Zoll Flachkopf-Kreuzschlitzschrauben an der Schiene für zwei Stützen (siehe Abbildung 3-17).
- 9 Führen Sie Schritt 7 und 8 aus, um die rechte Gleitschiene im Rack zu installieren.
- 10 Ziehen Sie jetzt die zuvor nur mit der Hand angezogenen Muttern an den Montagehalterungen beider Gleitschienen mit einem 11/32-Zoll Schraubenschlüssel bzw. Steckschlüssel fest.

Abbildung 3-17. Installation der Gleitschienen für die bündige Montage



Installieren des Systems im Rack

 **VORSICHT: Das System ist sehr groß und schwer, also versuchen Sie niemals, es allein zu installieren.**

 **HINWEIS:** Die Installation eines Systems in einem Rack ist bei bündig und mittig installierten Gleitschienen identisch.

1 Ziehen Sie die Gleitschienen bis zum Anschlag heraus.

 **VORSICHT: Das System ist sehr groß und schwer, also versuchen Sie niemals, es allein in den Gleitschienen zu installieren.**

2 Heben Sie das System in Position (siehe Abbildung 3-17).

3 Heben Sie dabei das System mit einer Hand unter dem vorderen und mit der anderen unter dem hinteren Rand an.

4 Kippen Sie die Rückseite des Systems nach unten und bringen Sie die hinteren Ansatzschrauben auf den Seiten des Systems mit den hinteren Schlitzen der Gleitschienen in Übereinstimmung.

5 Setzen Sie die hinteren Ansatzschrauben in ihre jeweiligen Einbaupositionen ein.

6 Lassen Sie die Systemvorderseite herunter und führen Sie die vorderen und mittleren Ansatzschrauben in ihre Einbaupositionen ein (die mittlere Position befindet sich genau hinter der gelben Sperrklinke; siehe Abbildung 3-17).

Wenn alle Ansatzschrauben korrekt eingerastet sind, ist bei den gelben Sperrklinken auf den beiden Gleitschienen ein Klicken zu hören. Nun ist das System in den Schienen gesichert.

7 Drücken Sie die grünen Sperrklinken an den Seiten der Gleitschienen nach oben, um das System vollständig ins Rack zu schieben (siehe Abbildung 3-17).

8 Befestigen Sie das System im Rack, indem Sie die selbstsichernden Flügelschrauben an der Gehäuse-Frontplatte festschrauben.

 **HINWEIS:** Mit Hilfe der gelben Sperrklinke können Sie das System jederzeit aus den Gleitschienen entfernen.

Einbau des Kabelarms

Siehe „Einbau des Kabelarms“ im Abschnitt „Installation eines Racks mit vier Stützen“ weiter vorne in diesem Dokument.

Verlegen der Kabel

Siehe „Verlegen der Kabel“ im Abschnitt „Installation eines Racks mit vier Stützen“ weiter vorne in diesem Dokument.

Damit ist die Installation eines Rack-Kits in einem Rack mit zwei Stützen abgeschlossen.

Index

E

- Einbau
 - Gleitschienen, 3-23
 - Kabelarm, 3-14, 3-29

I

- Inhalt des VersaRails-Kits
 - Liste, 3-6
- Inhaltsliste
 - RapidRails-Kit, 3-5
 - VersaRails-Kit, 3-6
- Installation des Systems
 - Rack mit vier Stützen, 3-13
 - Rack mit zwei Stützen, 3-29
- Installation im Rack System, 3-13, 3-14

K

- Kabel, 3-18
- Kabelarm, 3-14
 - Einbau, 3-14, 3-29
 - Verlegen der Kabel, 3-18, 3-29
- Kit für zwei Stützen
 - Einbau der Gleitschienen, 3-23
 - Einbau des Kabelarms, 3-29
 - Installation des Systems, 3-29
 - Markieren des Racks, 3-21

- Schritte, 3-20
 - Verlegen der Kabel, 3-29
 - Werkzeuge, 3-20
- Kit-Inhalt
- RapidRails, 3-5
 - VersaRails, 3-6

M

- Markieren des Racks
 - Kit für zwei Stützen, 3-21
 - Rack-Kits mit vier Stützen, 3-7

R

- Rack-Anforderungen für VersaRails, 3-3
- Rack-Einheit, 3-7
- Rack-Stabilisatoren, 3-4
- RapidRails-Kit, Inhalt, 3-5

S

- Schritte
 - Kit für zwei Stützen, 3-20
- Sicherheitshinweise, 3-1

T

- Türen
 - Einsetzen, 3-19
 - Entfernen, 3-6

V

- Verlegen, 3-18
- Verlegen der Kabel, 3-17, 3-29
- VersaRails
 - Kit-Inhalt, 3-6
- Vertikale Schienen
 - Eine Rack-Einheit, 3-7
 - Markieren, 3-7
- Vorsichtsmaßnahmen bei der Montage im Rack, 3-3




W

- Werkzeuge
 - Kit für zwei Stützen, 3-20
- Werkzeuge und Zubehör
 - Rack-Kits mit vier Stützen, 3-5

Dell™ システム

ラック取り付けガイド

メモ、注意および警告

-  **メモ**：メモは、コンピュータを使いやすくする為の重要な情報を説明しています。
-  **注意**：注意は、ハードウェアの損傷やデータの損失の可能性を示し、その危険を回避するための方法を説明しています。
-  **警告**：警告は、物的損害、けが、または死亡の原因となる可能性があることを示します。

ここに記載されている内容は予告なく変更されることがあります。

© 2002 すべての著作権は **Dell Computer Corporation** にあります。

Dell Computer Corporation の書面による許可のない複写は、いかなる形態においても厳重に禁じられています。

本書で使用されている商標について： Dell、DELL のロゴ、VersaRails、および RapidRails は Dell Computer Corporation の商標です。

本書では、必要に応じて上記記載以外の商標および会社名が使用されている場合がありますが、これらの商標や会社名は、一切 Dell Computer Corporation に所属するものではありません。

目次

安全にお使いいただくための注意	4-1
インストール手順	4-2
4 柱型ラックへの取り付け	4-3
はじめに	4-3
取り付け手順	4-4
推奨する工具および備品	4-4
RapidRails ラックキットの付属品	4-5
VersaRails ラックキットの付属品	4-5
ラックの扉の取り外し	4-6
ラックに印を付ける	4-6
RapidRails スライドアセンブリの取り付け	4-8
VersaRails スライドアセンブリの取り付け	4-10
ラックへのシステムの取り付け	4-12
ケーブル処理アームの取り付け	4-14
ケーブルの配線	4-16
ラックの扉の取り付け	4-18
2 柱型ラックへの取り付け	4-18
2 柱型ラックへの取り付け手順	4-18
推奨する工具および備品	4-19
ラックキットの付属品	4-19
ラックに印を付ける	4-20
スライドアセンブリのラックへの取り付け	4-22
ラックへのシステムの取り付け	4-28
ケーブル処理アームの取り付け	4-28
ケーブルの配線	4-28

索引



図 4-1	RapidRails ラックキットの付属品.....	4-5
図 4-2	VersaRails ラックキットの付属品.....	4-6
図 4-3	1 ラックユニット.....	4-7
図 4-4	垂直レールに印を付ける.....	4-8
図 4-5	RapidRails スライドアセンブリの取り付け.....	4-9
図 4-6	VersaRails スライドアセンブリの取り付け.....	4-11
図 4-7	ラックへのシステムの取り付け (RapidRails または VersaRails).....	4-13
図 4-8	ケーブル処理アームの取り付け.....	4-14
図 4-9	ケーブル処理アームの取り付け.....	4-15
図 4-10	電源コードの配線.....	4-16
図 4-11	ケーブルの配線.....	4-17
図 4-12	2 柱型ラックキットの付属品.....	4-20
図 4-13	2 柱型オープンフレームリレーラック - ユニバーサル規格.....	4-21
図 4-14	2 柱型オープンフレームリレーラック - ワイド規格.....	4-21
図 4-15	センターマウント構成用の スライドアセンブリの取り付け.....	4-24
図 4-16	フラッシュマウント用に前部取り付け 用ブラケットを回転させる.....	4-26
図 4-17	フラッシュマウント構成用の スライドアセンブリの取り付け.....	4-27


安全にお使いいただくための注意

ご自身の身体の安全を守り、サーバ、ストレージシステム、アプライアンスを損傷から保護するために、以下の点にご注意ください。安全および規則について詳しくは、ご利用のシステムの『システム情報』マニュアルを参照してください。保証に関する情報は、このマニュアルまたは別のマニュアルに記載されています。


警告：ラックに設置可能な製品に関する注意点

ラックの安定性や安全性に関して、次の点にご注意ください。特定の警告や注意文および手順については、システムやラックに同梱されているラック取り付けマニュアルを参照してください。


サーバ、ストレージシステム、およびアプライアンスは、ラックの一部とみなしません。したがって「部品」の用語は、サーバ、ストレージシステム、アプライアンス、および各種周辺装置またはサポートハードウェアを意味します。

 **警告**：ラック正面および横の安定板を取り付けずにラックにシステム部品を取り付けると、ラックが転倒し、けがをする恐れがあります。したがって、必ず安定板を取り付けてからラックに部品を取り付けてください。

ラックにシステムや部品を取り付けた後は、一度に2基以上の部品をスライドアセンブリのラックから引き出さないでください。重みでラックが転倒し、けがをする恐れがあります。

 **メモ**：Dell のシステムは、独立設置ユニットとして、また専用設計のカスタマラックキットとラックキャビネットを使用して取り付ける部品として、安全性が保証されています。他のメーカーのラックキャビネットに Dell のシステムやラックキットを取り付けることは、どの安全機関でも承認されていません。他のメーカーのキャビネットでシステムやラックキットを最終的に組み合わせて使用する場合は、ユーザが責任を持って認定安全機関で適合性の評価を受けてください。Dell では、このような組み合わせに関連するいかなる責任および保証も負いません。

- システムラックキットは、トレーニングを受けたサービス技術者が規格に適合するラックに取り付けます。キットを別のラックに取り付ける場合は、そのラックが Dell のラック仕様に適合していることを確認してください。

 **警告**：大型ラックを1人で移動しないでください。ラックの高さと重さを考慮して、少なくとも2人以上でラックを移動することをお勧めします。

- ラックで作業をする前に、安定板がラックに固定されて床面に伸び、ラックの全重量が床面にかかっていることを確認してください。ラックを移動する前に、1つのラックの場合は正面と横の安定板、複数の組み合わせられたラックの場合は正面の安定板を取り付けます。

- ラックには必ず下から上の順に、最も重いものから設置します。
- 部品をラックから引き出す前に、ラックが平行で安定していることを確認してください。
- 部品レールリリースレバーを押し、部品をラックの中または外にスライドする場合はご注意ください。スライドレールに指をはさまれることがあります。
- 部品をラックに設置したら、レールをロック位置に静かに伸ばし、部品をラックの中にスライドします。
- ラックに電力を送る AC 分岐回路に過重電流を流さないでください。ラックの総負荷が分岐回路定格の 80 パーセントを超えないようにしてください。
- ラックの部品に空気が十分に送られていることを確認します。
- ラックの他のシステムや部品を取り扱っているときに、システムや部品の上に乗ったり、立ってはいけません。

インストール手順


このガイドは、オープンフレームリレーラックやラックキャビネットに 1 つまたは複数のシステムを取り付ける作業を行う、トレーニングを受けたサービス技術者向けの手順書です。RapidRails™ ラックキットは、工具を使わずにすべてのメーカーのラックキャビネットに取り付けることができます。VersaRails™ ラックキットは、統一規格に適合しているほとんどのラックキャビネットに取り付けることができます。RapidRails および VersaRails ラックキットの取り付け手順はほとんど同じです。ラックキャビネットに取り付けるシステム 1 基ごとにラックキット 1 セットが必要です。

このガイドでは、以下のラックキットの取り付け手順について説明しています。


- RapidRails キット (4 柱型ラックキャビネットへの取り付け)
- VersaRails キット (4 柱型ラックキャビネットへの取り付け)
- 2 柱型キット (3 インチ幅または 6 インチ幅ラックへのセンターマウント構成またはフラッシュマウント構成での取り付け)

これらのラックキットには、トラブルシューティングとシステムの状態確認を容易に行えるように、ステータスインジケータケーブルアセンブリ付きのケーブル処理アームが付属しています。このアセンブリは、正面パネルと背面パネルの 2 色ステータスインジケータの情報をケーブル処理アームの背面まで延長するためのものです。このインジケータの詳細については、『ユーザーズガイド』を参照してください。

取り付けを開始する前に、本書の全体を注意してお読みください。

 **警告**：別のシステム用に設計されたラックキット部品は取り付けないでください。ご使用のシステムに対応したラックキット以外は使用しないでください。別のシステム用のラックキットを使用すると、システムが損傷し、ご自身や関係者がけがをする恐れがあります。

VersaRails のラック要件


 **注意**：VersaRails ラックキットは、トレーニングを受けたサービス技術者が米国規格協会 (ANSI)/米国電子工業会 (EIA) 規格 ANSI/EIA-310-D-92、国際電気標準会議 (IEC) 297、ドイツ協業規格 (DIN) 41494 に適合したラックに取り付けます。ラックに取り付けるシステム 1 基ごとにラックキット 1 セットが必要です。


4 柱型ラックへの取り付け

取り付けを開始する前に、本書の全体を注意してお読みください。

はじめに


システムをラックへ取り付ける前に、本書の冒頭にある「安全にお使いいただくための注意」を注意してお読みください。また、お使いのシステムの『システム情報』マニュアルの「安全にお使いいただくための注意」も参照してください。

 **警告**：複数のシステムをラックに取り付ける場合は、1 基のシステムの手順を完了してから、次のシステムの取り付けに進んでください。

 **警告**：ラックキャビネットはサイズが非常に大きく重量もあるため、キャスターで簡単に移動できるようになっています。このキャスターにはブレーキがありません。ラックキャビネットを移動するときは十分な注意が必要です。ラックキャビネットを別の場所に移動するときは、水平調整用の脚を収納してください。傾斜面や急な勾配のある場所、スロープなど、バランスが取りにくい場所にはキャビネットを設置しないでください。水平調整用の脚を伸ばしてキャビネットを支え、キャビネットが倒れないようにしてください。

安全に関する重要な注意

システムをラックに取り付けるときは、次の各セクションの安全に関する注意を遵守してください。

 **警告**：作業者は、自分自身と関係者を保護するために、本書の手順を遵守する必要があります。本システムは非常に重量があり大きいため、ご自身や関係者のけがを防ぐために準備と計画を適切に行うことが重要です。これは、特にシステムをラックの高い位置に取り付ける場合に重要になります。

ラック安定用の脚

⚠ 警告:ラック正面および横の安定用の脚を取り付けずに、ラックにシステムを取り付けると、ラックが転倒し、けがをする恐れがあります。このため、ラックにコンポーネントを取り付ける前に、必ず安定用の脚を取り付けるようにしてください。

⚠ 警告:ラックにシステムを取り付けた後は、一度に複数のシステムをスライドアセンブリのラックから引き出さないでください。引き出された複数のシステムの重みでラックが転倒し、けがをする恐れがあります。

安定用の脚は、スライドアセンブリが伸びきった状態でラックからシステムやその他の部品を引き出す際にラックの転倒を防ぎます。安定用の脚を取り付けて床に固定する手順については、ラックキャビネットに付属のマニュアルを参照してください。

取り付け手順

ラックキットを取り付けるには、次の手順を番号順に行います。

- 1 ラックの扉の取り外し
- 2 ラックに印を付ける
- 3 ラックへのスライドアセンブリの取り付け
 - RapidRails の取り付け
 - VersaRails の取り付け
- 4 ラックへのシステムの取り付け
- 5 ケーブル処理アームの取り付け
- 6 ケーブルの配線
- 7 ラックの扉の取り付け

推奨する工具および備品

4 柱型ラックキャビネットにシステムを取り付けるには、次の工具と備品が必要です。

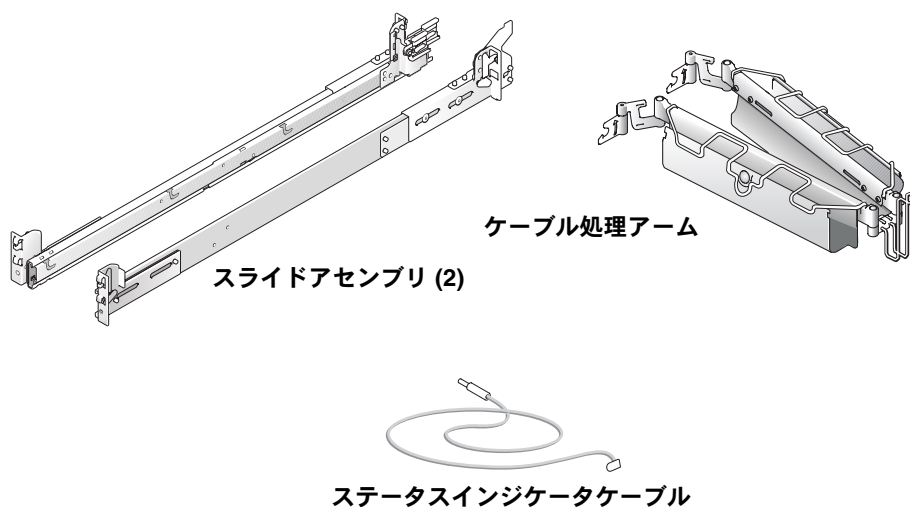
- #2 プラスドライバ (VersaRails スライドアセンブリを取り付ける場合)
- 取り付け穴に印を付けるために使用するマスキングテープまたはフェルトペン

RapidRails ラックキットの付属品

RapidRails ラックキットの付属品は次のとおりです (図 4-1 参照)。

- RapidRails スライドアセンブリ 1 組
- ケーブル処理アーム 1 本
- ステータスインジケータケーブル 1 本
- 固定用ストラップ

図 4-1. RapidRails ラックキットの付属品



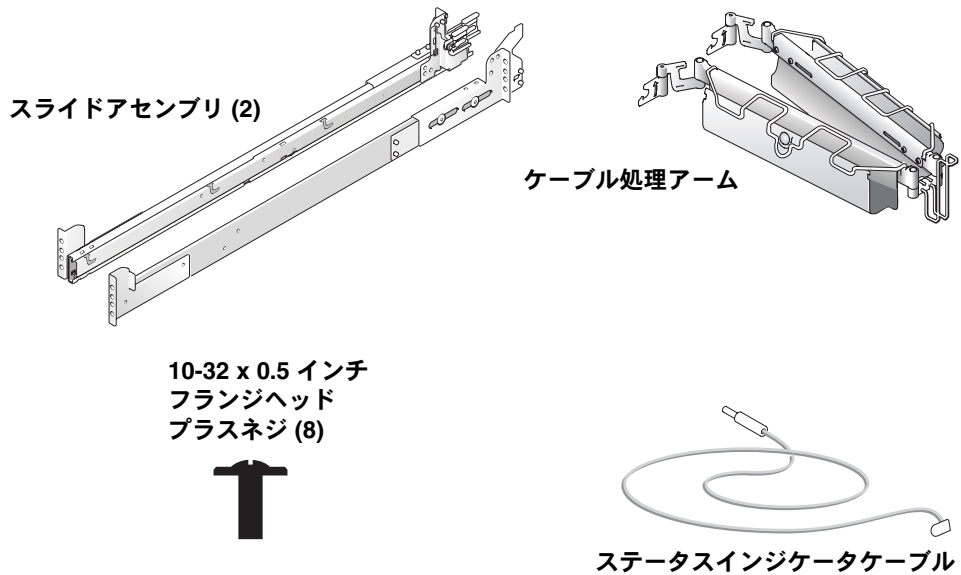
VersaRails ラックキットの付属品

VersaRails ラックキットの付属品は次のとおりです (図 4-2 参照)。

- VersaRails スライドアセンブリ 1 組
- ケーブル処理アーム 1 本
- ステータスインジケータケーブル 1 本
- 10-32 x 0.5 インチフランジヘッドプラスネジ 8 個
- 固定用ストラップ

メモ : 図と手順で示されているメートル法規格ではないネジは、サイズとインチ当たりねじ山数で表記されています。たとえば、インチ当たりねじ山数 32 の #10 プラスネジは、10-32 の表記になります。

図 4-2. VersaRails ラックキットの付属品



ラックの扉の取り外し

ラックキャビネットに同梱のマニュアルに記載されている扉の取り外し手順を参照してください。

⚠ 警告: ラックキャビネットの扉の大きさと重さを考慮して、取り付けまたは取り外しは1人では行わないでください。

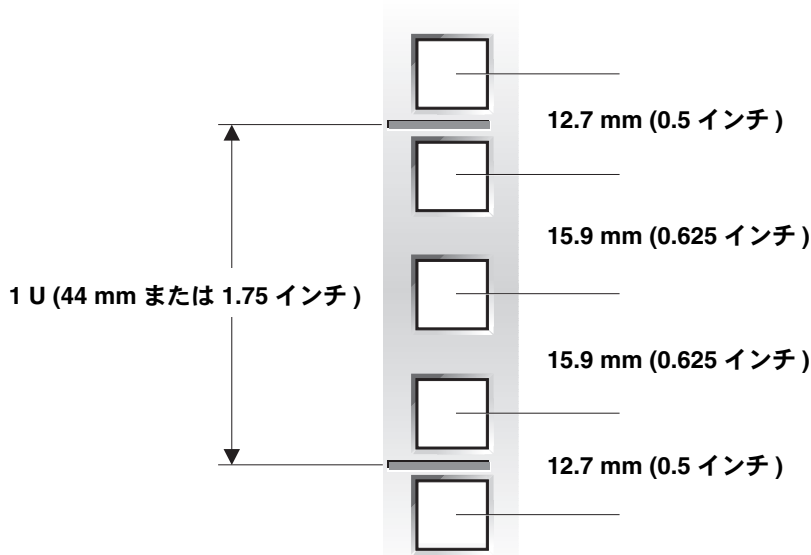
⚠ 警告: 2枚の扉は、偶発的に扉が倒れても誰もけがをしない場所に保管してください。

ラックに印を付ける

ラックに取り付ける各システムごとに、2 ラックユニット (88 mm または 3.5 インチ) の高さの空間が必要です。EIA-310 規格を満たすラックキャビネットには、1 ラックユニット (1 U) ごとに 3 つの穴が交互に並んでいます。穴の中心から中心まで距離は、前部および後部垂直レールの 1 U スペースの一番上の穴から計測して 15.9 mm、15.9 mm、12.7 mm (0.625 インチ、0.625 インチ、0.5 インチ) となっています (図 4-3 参照)。ラックキャビネットの穴には丸型または角型があります。

メモ: 垂直レールには、1 U 刻みの目盛りが付いた水平なラインが刻まれている場合があります。この目盛りの数字をメモして作業を進めることもできます。数字をメモする場合は、ラックに印を付けたり、テープを貼る必要はありません。「RapidRails スライドアセンブリの取り付け」に進んでください。

図 4-3. 1 ラックユニット



警告: 複数のシステムを取り付ける場合は、ラックの最下段に 1 基目のシステムを取り付けられるように、スライドアセンブリを取り付けてください。

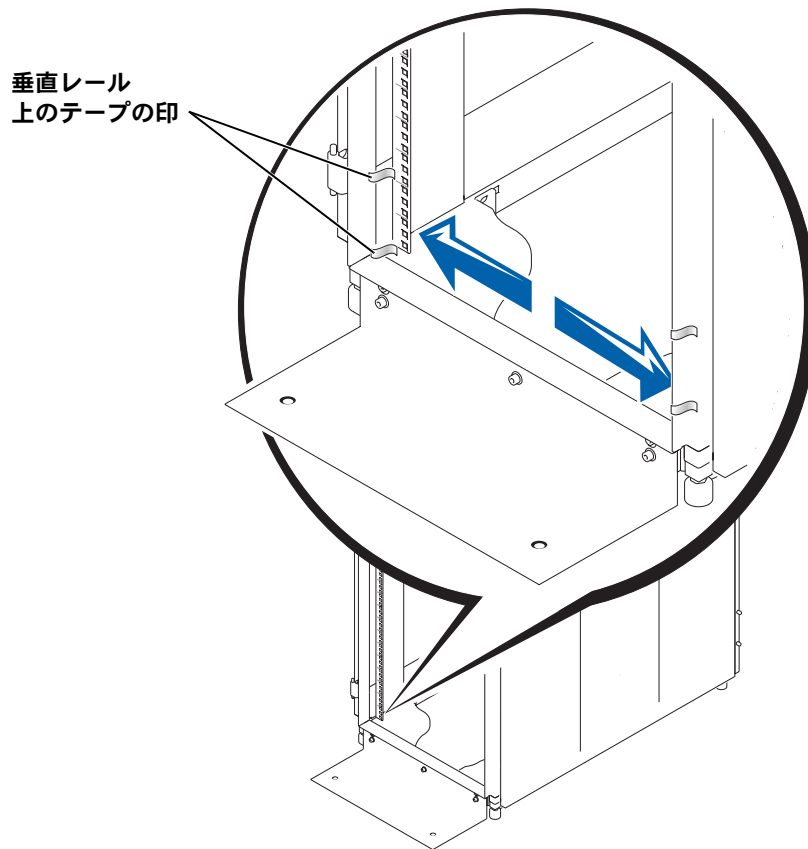
次の手順に従って、ラックに印を付けます。

- 1 前部垂直レール上で、ラックキャビネットに取り付けるシステムの底部の位置を決め、印を付けます。

1 U スペースの底部は、間隔が狭い 2 つの穴にある金属の部分の真ん中になります (ラックキャビネットによっては水平なラインが刻まれている場合があります。図 4-4 を参照してください)。

- 2 底部の印から 88 mm (3.5 インチ) 上に (または EIA-310 規格に適合しているラックの場合は 6 個上の穴に) 印を付け、ラックの前部垂直レールにフェルトペンやマスキングテープで印を付けます (穴の数を数えて印を付けた場合は一番上の穴の真上に印を付けます)。この印もしくはテープは、垂直レール上でシステムの先端が収まる位置を表します (図 4-4 参照)。

図 4-4. 垂直レールに印を付ける



RapidRails スライドアセンブリの取り付け

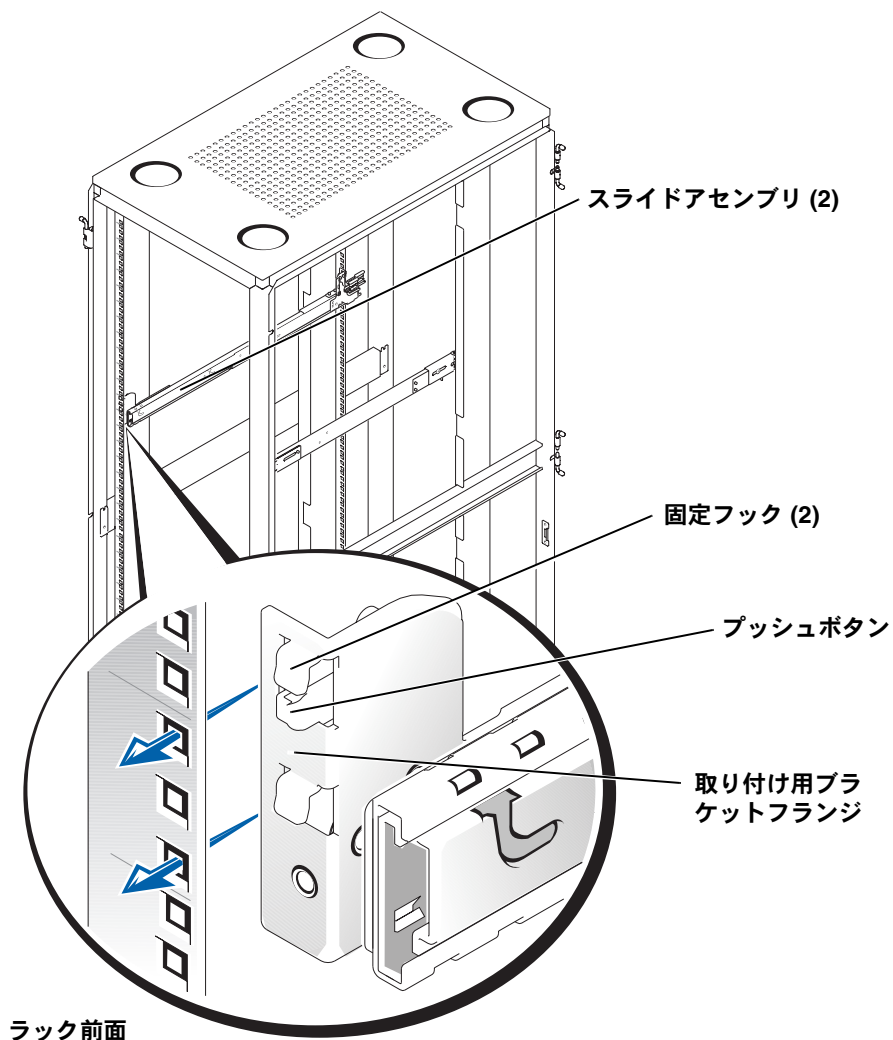
- 1 ラックキャビネットの正面で、2 個の RapidRails スライドアセンブリのいずれかを持ち、ラックに付けた印やテープの間のスペースに収まるように取り付け用フランジをセットします (図 4-5 参照)。

スライドアセンブリの前部取り付け用ブラケットフランジの上部取り付けフックを、垂直レールに付けた印の間のスペースにある一番上の穴に差し込みます。

- 2 スライドアセンブリを正面に向かって押して、上部取り付けフックを垂直レールの対応する角型の穴に差し込み、取り付け用ブラケットのフランジを下に押しつけて取り付けフックを穴に固定します。完全に固定されるとプッシュボタンがカチッと飛び出します (図 4-5 参照)。

- 3 キャビネットの背面で、取り付け用ブラケットのフランジを後ろに引いて、上部取り付けフックを対応する角型の穴に差し込み、フランジを下に押し付けて取り付けフックを穴に固定します。完全に固定されるとプッシュボタンがカチッと飛び出します。
- 4 ラックの反対側のもう 1 つのスライドアセンブリについて、手順 1 から 3 を繰り返します。
- 5 左右の垂直レールで、取り付け用レールが同じ位置に取り付けられていることを確認します。

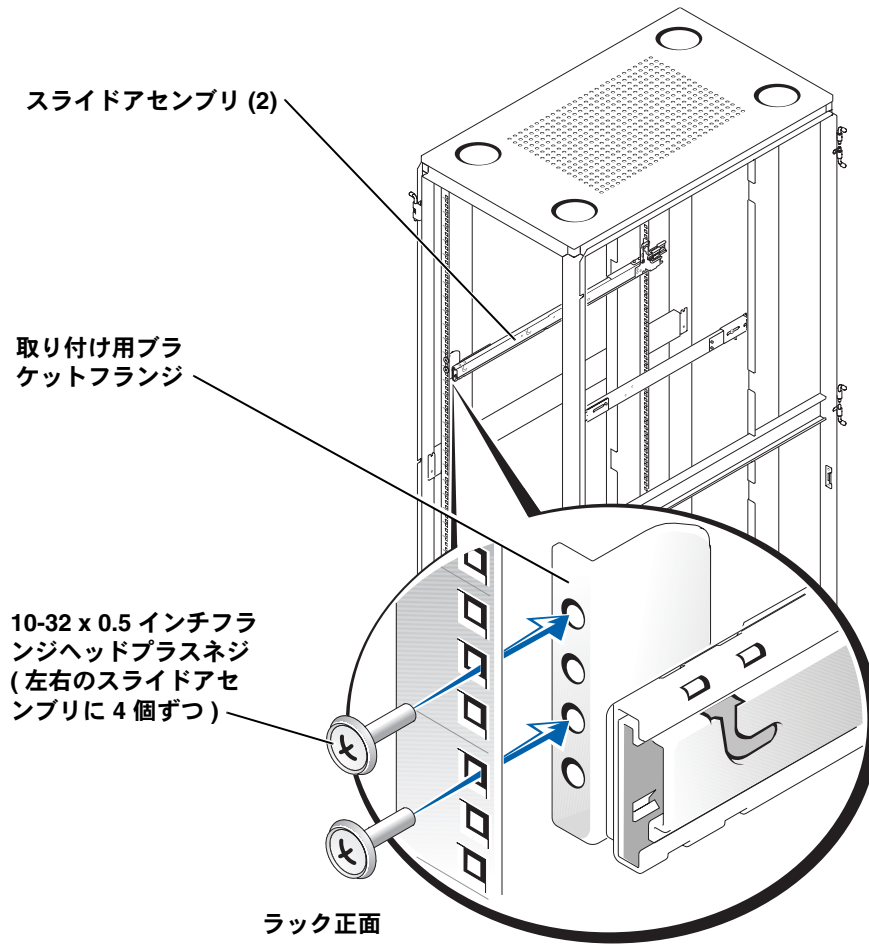
図 4-5. RapidRails スライドアセンブリの取り付け




VersaRails スライドアセンブリの取り付け


- 1 ラックキャビネットの正面で、2 個の VersaRails スライドアセンブリのいずれかを持ち、ラックの印やテープの間のスペース (またはメモした目盛りの位置) に取り付け用ブラケットのフランジが収まるようにセットします (図 4-6 参照)。
取り付け用ブラケット前部にある 4 個の穴が、前部垂直レールに付けた印の間 (または選んでメモした目盛りの位置) にある 4 個の穴と合うようにしてください。
- 2 2 本の 10-32 x 0.5 インチフランジヘッドプラスネジを取り付け用フランジの一番上の穴と上から 3 個目の穴に差し込んで、スライドアセンブリを前部垂直レールに固定します (図 4-6 参照)。
- 3 キャビネットの背面から、取り付け用ブラケットのフランジを後ろに引いて、取り付け用の穴と後部垂直レールの穴をそれぞれ合わせます。
- 4 2 本の 10-32 x 0.5 インチフランジヘッドプラスネジを取り付け用フランジ後部の一番上の穴と上から 3 個目の穴に差し込んで、スライドアセンブリを後部垂直レールに固定します。
- 5 ラックの反対側のもう 1 つのスライドアセンブリについて、手順 1 から 4 を繰り返します。
- 6 ラックの左右の垂直レールで、スライドアセンブリが同じ位置に取り付けられていることを確認します。

図 4-6. VersaRails スライドアセンブリの取り付け




ラックへのシステムの取り付け

 **警告:** 複数のシステムを取り付ける場合は、1基目のシステムをラックの最下段の位置に取り付けてください。

 **警告:** 一度に複数の部品をラックから引き出さないようにしてください。

- 1 2つのスライドアセンブリをラックから引き出して、一番外側の位置でロックします。

 **警告:** システムの大きさと重さを考慮して、決して1人でラックのスライドアセンブリにシステムを取り付けようとしないでください。

- 2 引き伸ばしたスライドの正面の位置までシステムを持ち上げます。
- 3 一方の手でシステム前部の底を、もう一方の手でシステム後部の底を持ちます。
- 4 システム後部を下に傾けて、システム側面の後部肩付きネジとスライドアセンブリの後部スロットを合わせます。
- 5 後部肩付きネジをスロットに差し込みます。
- 6 システム前部を下げて、前部と中央の肩付きネジをそれぞれ対応するスロットに差し込みます。中央のスロットは黄色のシステムリリースレバーの後ろにあります(図4-7参照)。

すべての肩付きネジが正しくはまると、スライドアセンブリの黄色のレバーがカチッとロックされ、システムがスライドアセンブリに完全に固定されます。

- 7 左右のスライドアセンブリの側面にあるスライドリリースレバーを押し上げて、システムをラックに収納します(図4-7参照)。
- 8 正面パネルの両側にある固定用の蝶ネジを差し込んで締め付け、システムをラックに固定します。


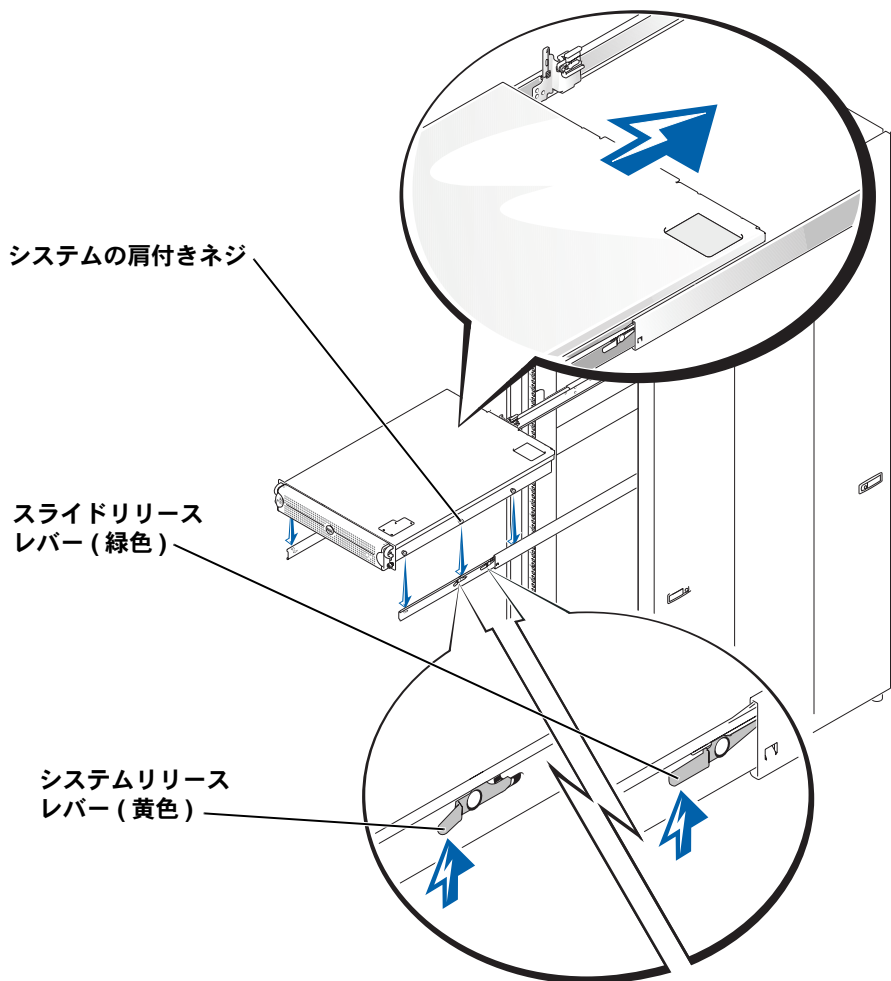
 **メモ:** システムをスライドアセンブリから取り外すときは、黄色のシステムリリースレバーを使用します。

図 4-7. ラックへのシステムの取り付け (RapidRails または VersaRails)

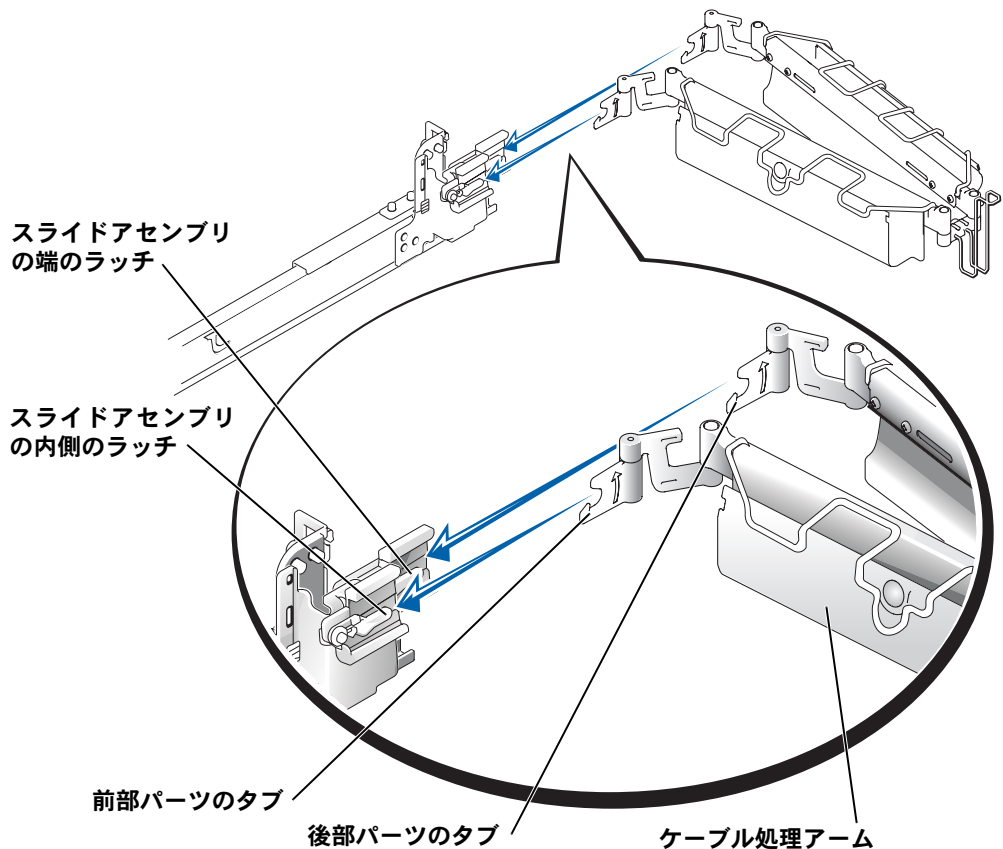


ケーブル処理アームの取り付け

➡ 注意: ケーブル処理アームはキャビネットの背面から見て右側にしか取り付けられません。
システム背面にケーブル処理アームを取り付けるには、次の手順を実行します。

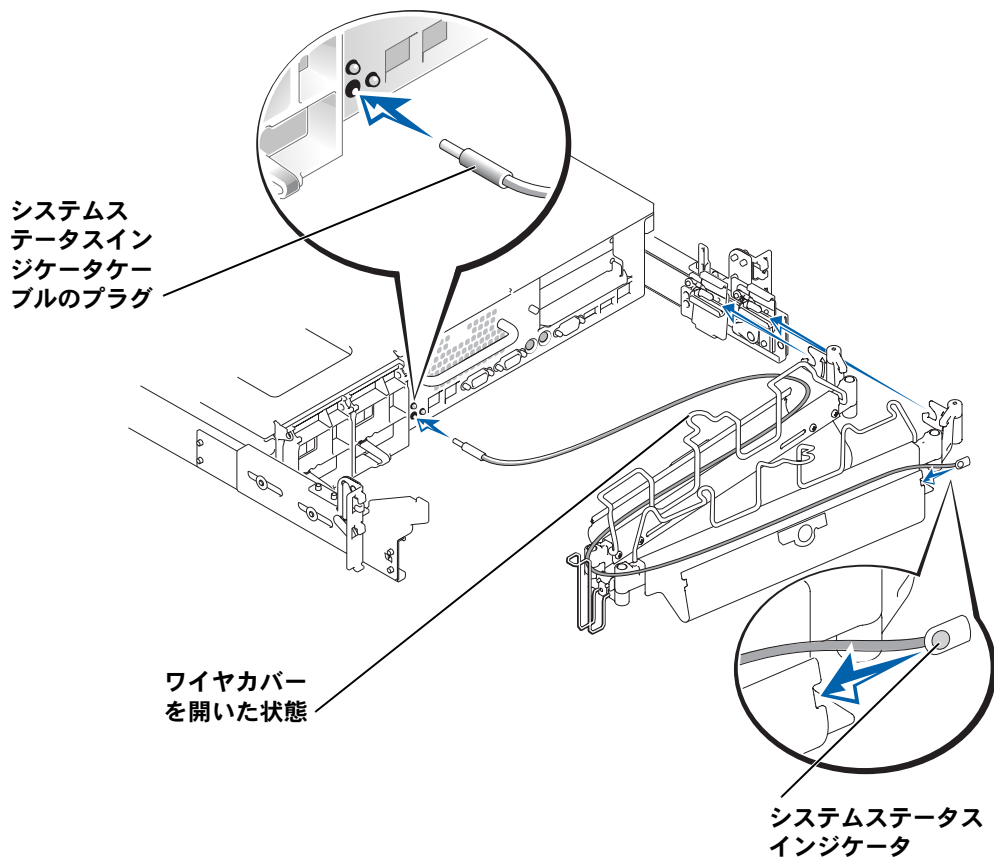
- 1 ラックキャビネットの背面に回り、スライドアセンブリの端にあるラッチの位置を確認します。
- 2 ケーブル処理アームの後部パーツのタブを、スライドアセンブリの端のラッチに差し込みます (図 4-8 参照)。
正しくはまるとラッチがカチッと固定されます。
- 3 ケーブル処理アームの前部パーツのタブを、スライドアセンブリの内側のラッチに差し込みます (図 4-8 参照)。
正しくはまるとラッチがカチッと固定されます。

図 4-8. ケーブル処理アームの取り付け



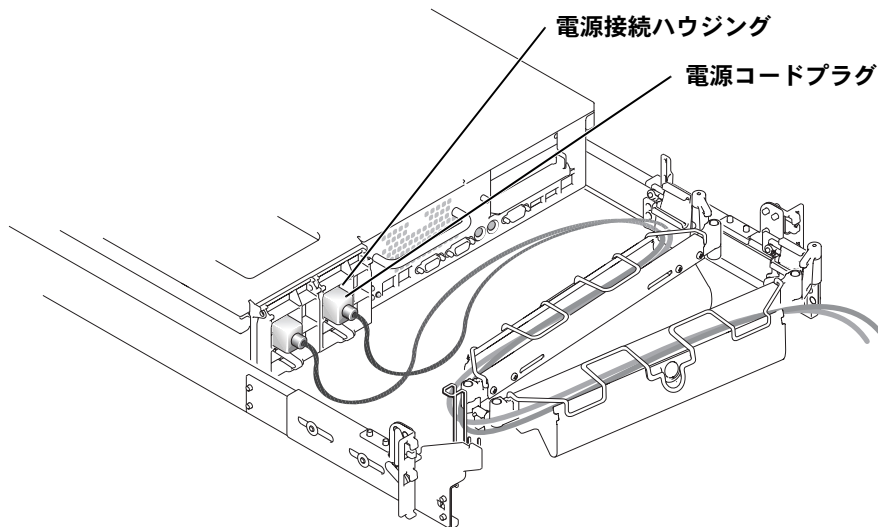
- 4 システムステータスインジケータケーブルのプラグをコネクタに差し込みます (図 4-9 参照)。
- 5 ケーブル処理アームのワイヤカバーを開きます。まず丸いボタンで固定されている前部パーツの正面ワイヤを中央部分から開き、同じように丸いボタンで固定されている後部パーツのワイヤを開きます。
ワイヤカバーを開くと、アームの内部にケーブルを通せるようになります。
- 6 ケーブルアセンブリのシステムステータスインジケータの端をケーブル処理アームに通し、ケーブル処理アームの後部パーツにあるスロットに取り付けます (図 4-9 参照)。

図 4-9. ケーブル処理アームの取り付け



- 7 電源コードを背面パネルの接続端子に接続します (図 4-10 参照)。

図 4-10. 電源コードの配線



⚠ 警告: ケーブルは、ヒンジの動きを妨げないように多少余裕を持たせながらケーブル処理アームに通してください。

ケーブルの配線

- 1 システムの背面パネルの対応するコネクタに I/O ケーブルコネクタを接続します。

ケーブル接続の詳細については、システムの『Installation and Troubleshooting Guide』と『ユーザーズガイド』を参照してください。

- 2 電源コードと I/O ケーブルをケーブル処理アームに通します。4 本の固定用ストラップで緩めに固定してください (2 本はアームの中央で、2 本はアームの両端で固定します)。この時点では、固定用ストラップをきつく締めないでください (図 4-11 参照)。

ケーブルの損傷を防ぐために、ケーブル処理アーム内ではケーブルに多少余裕を持たせてください。


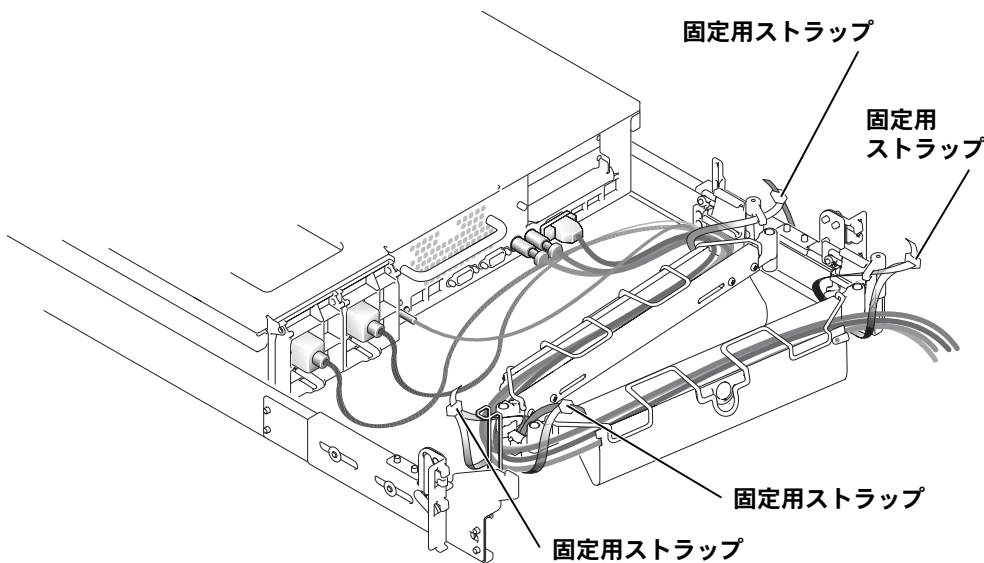
- 3 ケーブルをケーブル処理アームに固定します。
 - a ケーブルをシステムに接続した後で、システムの前部を前部垂直レールに固定していた蝶ネジを緩めます。
 - b システムを一番外側まで引き出します。
 - c ヒンジの動きを妨げないように多少余裕を持たせながら、ケーブルをケーブル処理アームに通します。固定用ストラップでケーブルをアームに固定し、ケーブル処理アームのワイヤカバーを閉じます。
-  **メモ**：システムを引き出せる限度まで引き出すと、伸びきった位置でスライドアセンブリにロックがかかります。システムをラックに戻すには、スライドアセンブリの両側にあるスライドリリースレバーを押してロックを解除し、システムをスライドさせてラックの中に完全に収納します。
- 4 システムをラックから引き出しラックに押し戻して、ケーブルが正しく取り付けられているか、ケーブル処理アームの動きで絡まったり、引きつったり、締め付けられなかったりしないか確認します。
- 5 ケーブルの張りがきつすぎたり緩すぎる場合は、必要に応じて張りを調節し、システムをラックから出し入れしてもケーブルがずれないようにします。

図 4-11. ケーブルの配線



ラックの扉の取り付け

ラックキャビネットに同梱のマニュアルに記載されている扉の取り付け手順を参照してください。

⚠ 警告: ラックキャビネットの扉の大きさと重さを考慮して、取り付けまたは取り外しは1人では行わないでください。

これで4柱型ラックキャビネットへのシステムの取り付けは完了です。

2柱型ラックへの取り付け

2柱型ラックキットは、通信機器設備などで見られる2柱型オープンフレームリレーラックにシステムを取り付ける場合に使用します。3インチおよび6インチ幅2柱型ラック(取り付け穴の間隔:ユニバーサルまたはワイド)に対応しています。このキットはセンターマウント構成またはフラッシュマウント構成で取り付けることができます。2柱型ラックキットには、システムをラックから引き出して点検等を行えるようにスライドアセンブリが付属しています。

2柱型オープンフレームリレーラックは、床面、天井、壁の上部、あるいは隣接するラックに正しく固定する必要があります。固定する際は、ラックの製造元が指定する固定具や産業規格に適合した床面固定具または壁面固定具を使用してください。この取り付け作業を行う前に、2柱型オープンフレームリレーラックの製造元が提供する取り付けマニュアルを参照して、取り付けに関する注意事項を確認してください。

⚠ 警告: 設置場所に正しく固定されていない2柱型オープンフレームリレーラックにはシステムを取り付けしないでください。システムが損傷し、ご自身や関係者がけがをする恐れがあります。

本書の冒頭にある「安全にお使いいただくための注意」を参照して、ラックの取り付けに関するその他の注意事項を確認してください。

2柱型ラックへの取り付け手順

2柱型ラックキットを取り付けるには、次の手順を番号順に行います。

- 1 ラックに印を付ける
- 2 ラックへのスライドアセンブリの取り付け
 - センターマウント
 - フラッシュマウント

- 3 ラックへのシステムの取り付け
- 4 ケーブル処理アームの取り付け
- 5 ケーブルの配線

推奨する工具および備品

2 柱型オープンフレームリレーラックにシステムを取り付けるには、次の工具と備品が必要です。

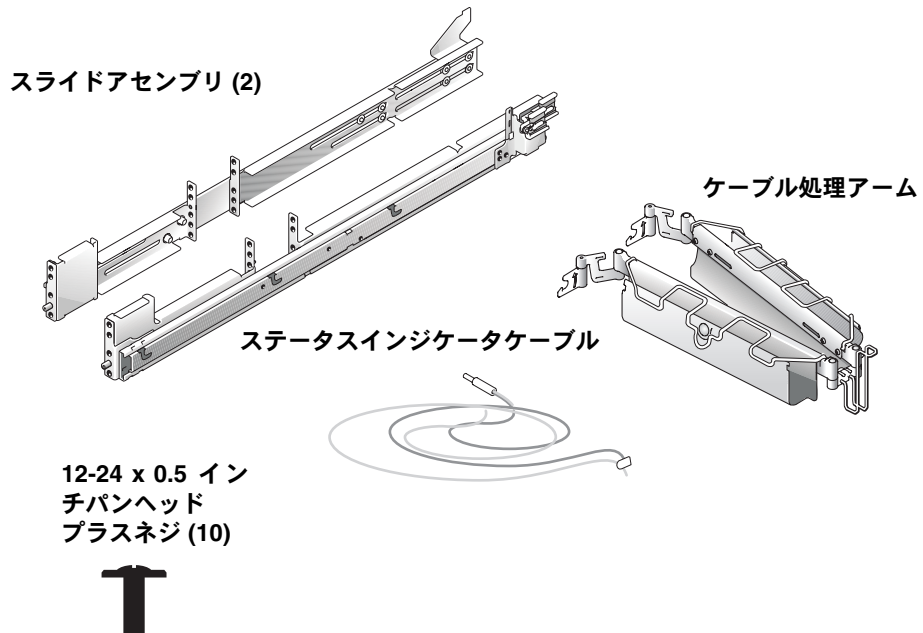
- #2 プラスドライバ
- 11/32 インチレンチまたはナットドライバ (ブラケットをフラッシュマウント構成に変更する場合)
- 取り付け穴に印を付けるためのマスキングテープまたはフェルトペン

ラックキットの付属品

2 柱型ラックキットの付属品は次のとおりです (図 4-12 参照)。

- スライドアセンブリ 1 組 (2 柱型用)
- ケーブル処理アーム 1 本
- ステータスインジケータケーブル 1 本
- 12-24 x 0.5 インチパンヘッドプラスネジ 10 本
- 固定用ストラップ

図 4-12. 2 柱型ラックキットの付属品



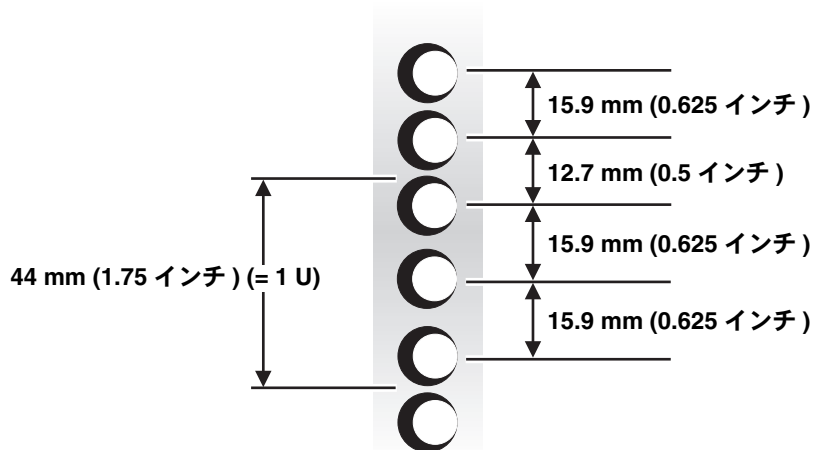
ラックに印を付ける

2 柱型ラックに取り付ける各システムごとに、2 ラックユニット (88 mm または 3.5 インチ) の高さの空間が必要です。

ユニバーサル規格のラック

産業規格に適合している 2 柱型ラック (ユニバーサル規格) には、1 ラックユニット (1 U) ごとに 3 つの穴が交互に並んでいます。穴の中心から中心まで距離は、前部および後部垂直コラムの 1 U スペースの一番上の穴から計測して 15.9 mm、15.9 mm、12.7 mm (0.625 インチ、0.625 インチ、0.5 インチ) となっています (図 4-13 参照)。

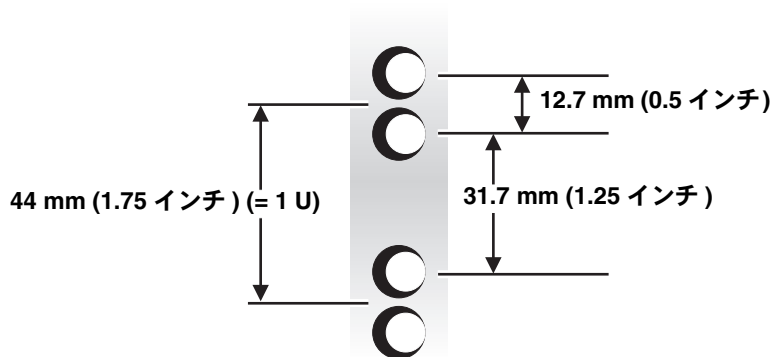
図 4-13. 2 柱型オープンフレームリレーラック - ユニバーサル規格



ワイド規格のラック

一部の 2 柱型ラック (ワイド規格) には、1 U ごとに 2 つの穴が交互に並んでいます。穴の中心から中心まで距離は、前部および後部垂直コラムの 1 U スペースの一番上の穴から計測して 31.7 mm、12.7 mm (1.25 インチ、0.5 インチ) となっています (図 4-14 参照)。


図 4-14. 2 柱型オープンフレームリレーラック - ワイド規格



次の手順に従って、ラックに印を付けます。


- 1 前部垂直レール上で、2 柱型ラックに取り付けるシステムの底部の位置を決め、印を付けます。

1 U スペースの底部は、間隔が狭い 2 つの穴にある金属の部分の真ん中になります。

 **メモ**：ワイド規格のラックの場合は、手順 3 に進んでください。

- 2 底部の印から 88 mm (3.5 インチ) 上に (またはユニバーサル規格のラックの場合は 6 個上の穴に) 印を付けます (図 4-13 参照)。

ユニバーサル規格のラックには、1-U (44 mm または 1.75 インチ) ごとに 3 つの穴が並んでいます。穴の中心から中心まで距離は、1 U スペースの一番上の穴から計測して 15.9 mm、15.9 mm、12.7 mm (0.625 インチ、0.625 インチ、0.5 インチ) となっています (図 4-13 参照)。


 **メモ**：ユニバーサル規格のラックの場合は、ラックに印を付ける作業はこれで完了です。

- 3 底部の印から 88 mm (3.5 インチ) 上に (またはワイド規格のラックの場合は 4 個上の穴に) 印を付けます (図 4-14 参照)。

ワイド規格のラックには、1 U (44 mm または 1.75 インチ) ごとに 2 つの穴が並んでいます。穴の中心から中心まで距離は、1 U スペースの上の穴から計測して 31.7 mm (1.25 インチ) となっています (図 4-14 参照)。

スライドアセンブリのラックへの取り付け

スライドアセンブリは、ユニバーサル規格 (図 4-13) またはワイド規格 (図 4-14) の 2 柱型オープンフレームラックに取り付けることができます。また、2-U スライドアセンブリは、フラッシュマウント構成またはセンターマウント構成で取り付けることができます。

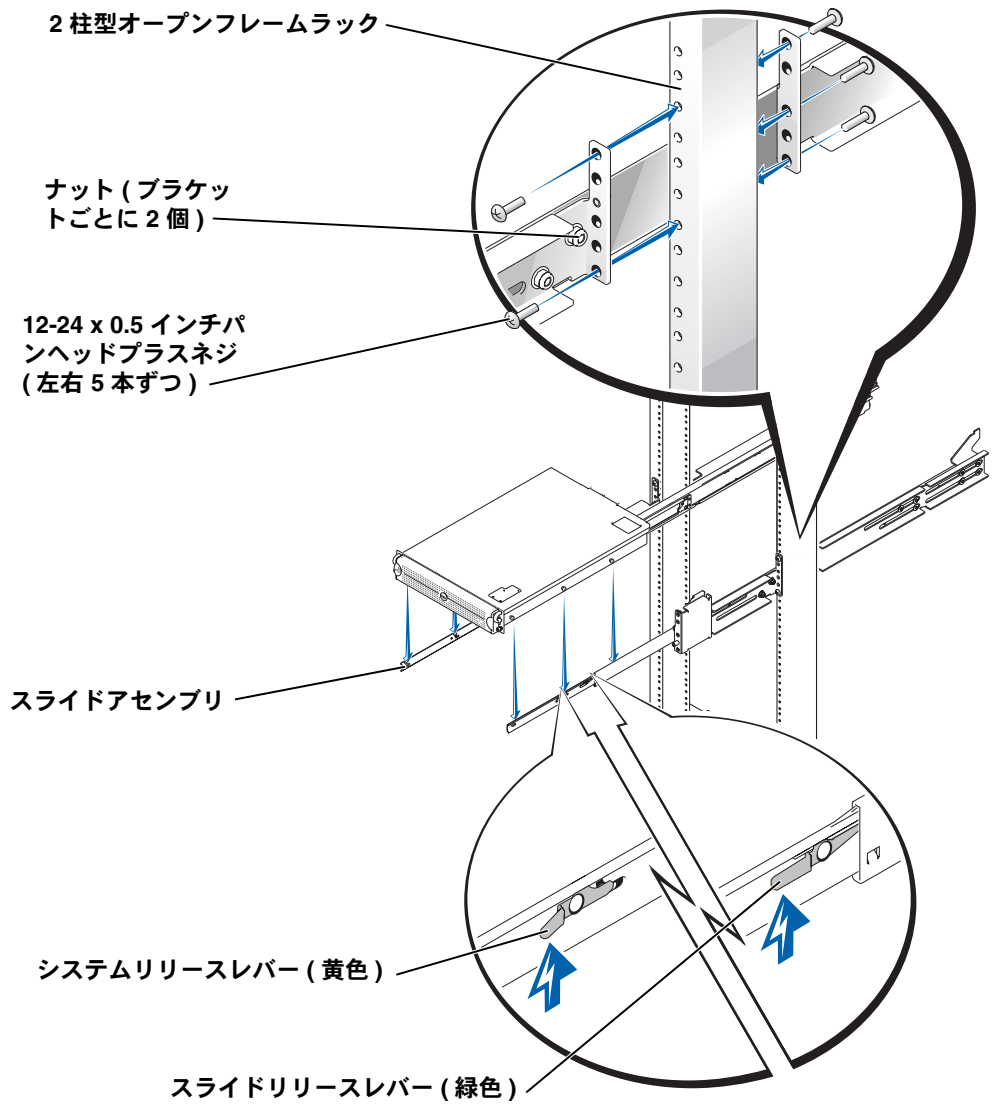
 **警告**：このラックキットを使って別のシステムを取り付けしないでください。ご使用のシステムに対応したラックキット以外は使用しないでください。別のシステム用のラックキットを使用すると、システムが損傷し、ご自身や関係者がけがをする恐れがあります。

センターマウント

2 柱型ラックキットは、センターマウント用のブラケット構成で出荷されています。取り付けは、以下の手順に従って行います。


- 1 右側のスライドアセンブリで、後部ブラケットをスライドアセンブリの後ろの方に下げます (図 4-15 参照)。
- 2 2 柱型ラックに付けた印の間のスペースに収まるように右側のスライドアセンブリをセットし、後部ブラケットを前に動かして、垂直 2 柱型ラックを前部ブラケットと挟むようにします。12-24 x 0.5 インチパンヘッドプラスネジを 2 本使って前部センターマウントブラケットを固定し、12-24 x 0.5-インチパンヘッドネジを 3 本使って後部センターマウントブラケットをラックに固定します (図 4-15 参照)。
- 3 手順 1 と 2 を繰り返して、左側のスライドアセンブリもラックに取り付けます。

図 4-15. センターマウント構成用のスライドアセンブリの取り付け



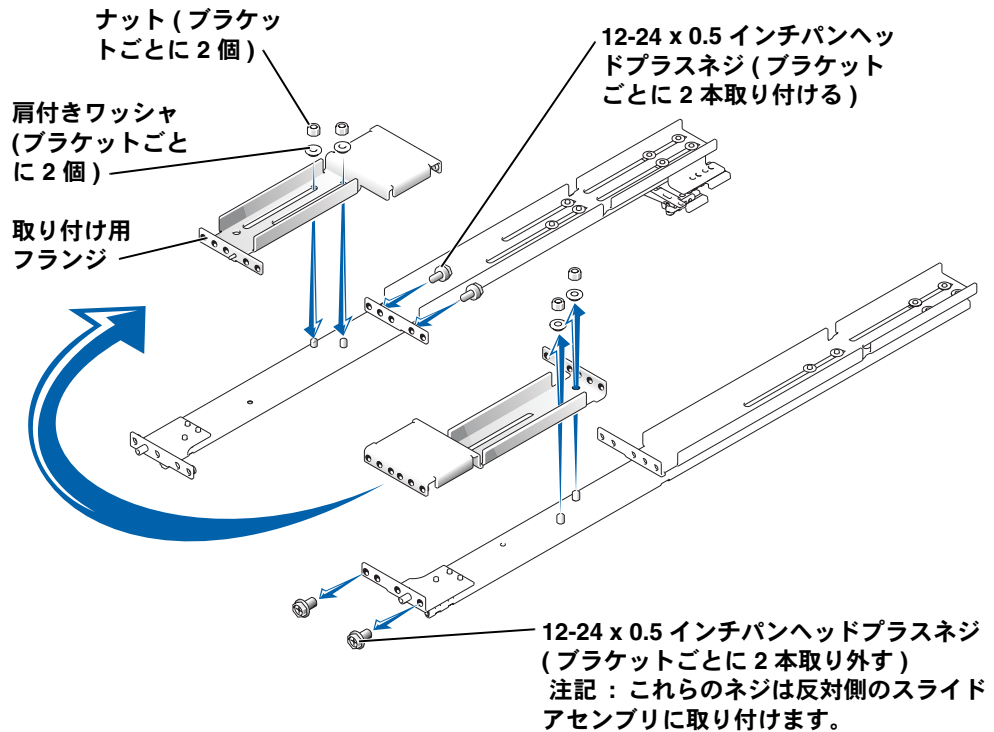
フラッシュマウント

2 柱型ラックキットは、センターマウント用のブラケット構成で出荷されています。フラッシュマウント構成で 2 柱型ラックに取り付けるには、次の手順に従ってスライドアセンブリのブラケット構成を変更する必要があります。

- 1 作業しやすい滑らかな面に、2 本のスライドアセンブリを左右揃えて置きます。前端を手前にし、センターブラケットが上を向くようにしてください (図 4-16 参照)。
 **メモ** : スライドアセンブリをフラッシュマウント用に変更するには、前部取り付け用ブラケットを取り外して 180 度回転させ、反対側のスライドアセンブリに取り付けます。
- 2 #2 プラスドライバと 11/32 インチレンチまたはナットドライバを使って、左右の前部センターブラケットから 2 本の 12-24 x 0.5 インチパンヘッドプラスネジ、2 個のナット、および 2 個の肩付きワッシャを取り外します (図 4-16 参照)。
- 3 左右のスライドアセンブリから前部ブラケットを取り外します。
- 4 一方のスライドアセンブリから取り外したブラケットを 180 度回転させ、取り付け用フランジを前に向けた状態で、反対側のスライドアセンブリのネジ付き金具に載せます (図 4-16 参照)。
- 5 手順 2 で取り外した 2 個の肩付きワッシャとナットを使って、前部センターマウントブラケットを反対側のスライドアセンブリに仮留めします。ナットは指で回せる程度まで締めておきます (図 4-16 参照)。

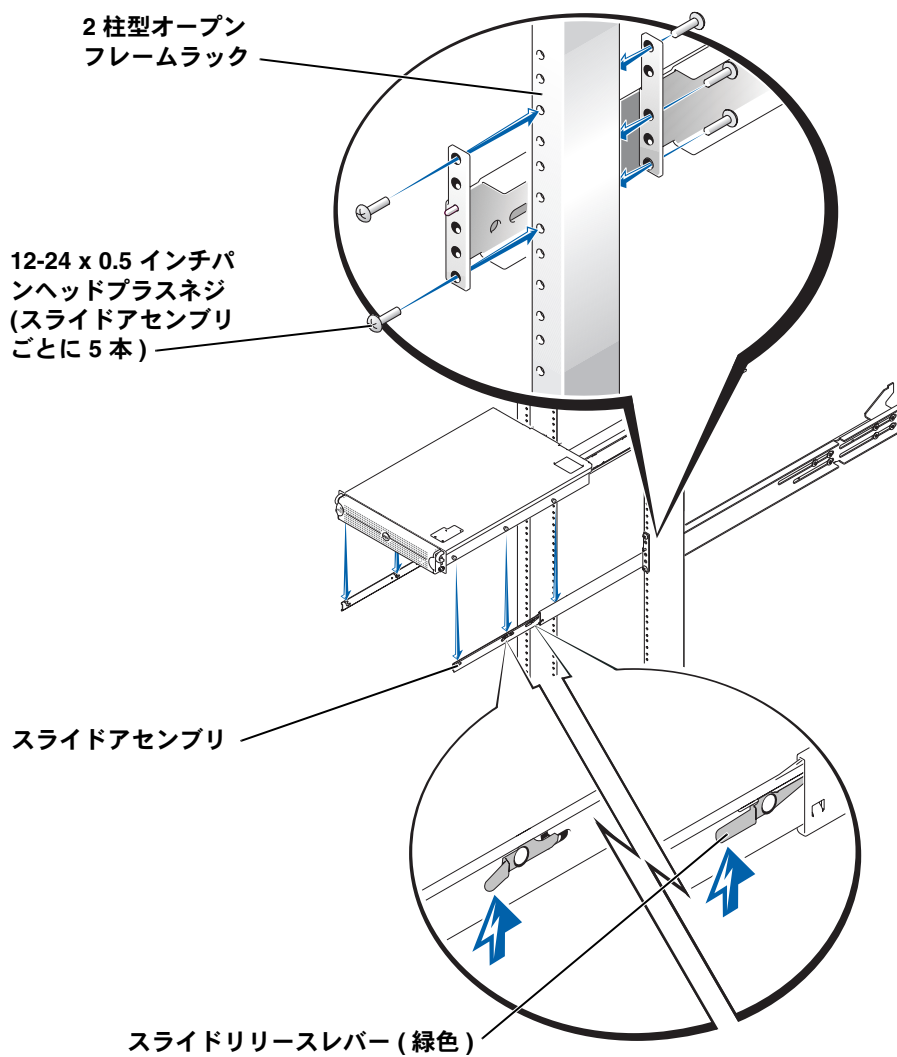
接続されたブラケットが新しい延長された後部ブラケットになります。

図 4-16. フラッシュマウント用に前面取り付け用ブラケットを回転させる





- 6 手順4から5を繰り返して、反対側のスライドアセンブリも完成させます。
- 7 2 柱型ラックに付けた印の間のスペースに収まるように左側のアセンブリをセットし、延長された後部ブラケットを垂直 2 柱型ラックにぴったりと合わせて、3 本の 12-24 x 0.5 インチパンヘッドプラスネジを使って固定します (図 4-17 参照)。
- 8 2 本の 12-24 x 0.5 インチパンヘッドプラスネジを使って、スライドアセンブリの前面ブラケットを 2 柱型レールに固定します (図 4-17 参照)。
- 9 手順7から8を繰り返して、右側のアセンブリもラックに取り付けます。
- 10 11/32 インチレンチまたはナットドライバを使って、指の力で締めておいた両側のスライドアセンブリの取り付け用ブラケットのナットを完全に締め付けます。

図 4-17. フラッシュマウント構成用のスライドアセンブリの取り付け




ラックへのシステムの取り付け

 **警告:**システムのサイズおよび重量による事故の防止のため、決して1人でシステムを取り付けようとししないでください。

 **メモ:**ラックへのシステムの取り付け手順は、フラッシュマウント構成の場合もセンターマウント構成の場合も同様です。


- 1 スライドアセンブリを一番外側まで引き出します。

 **警告:**システムの大きさと重さを考慮して、決して1人でラックのスライドアセンブリにシステムを取り付けようとししないでください。

- 2 スライドアセンブリに載せられる位置までシステムを持ち上げます (図 4-17 参照)。
- 3 一方の手でシステム前部の底を、もう一方の手でシステム後部の底を持ちます。
- 4 システム後部を下に傾けて、システム側面の後部肩付きネジとスライドアセンブリの後部スロットを合わせます。
- 5 後部肩付きネジをスロットに差し込みます。
- 6 システム前部を下げて、前部と中央の肩付きネジをそれぞれ対応するスロットに差し込みます。中央のスロットは黄色のシステムリリースレバーの後ろにあります (図 4-17 参照)。

すべての肩付きネジが正しくはまると、スライドアセンブリの黄色のレバーがカチッとロックされ、システムがスライドアセンブリに完全に固定されます。

- 7 左右のスライドアセンブリの側面にあるスライドリリースレバーを押し上げて、システムをラックに収納します (図 4-17 参照)。
- 8 正面パネルの両側にある固定用の蝶ネジを差し込んで締め付け、システムをラックに固定します。

 **メモ:**システムをスライドアセンブリから取り外すときは、黄色のシステムリリースレバーを使用します。

ケーブル処理アームの取り付け

本書で前述の「4 柱型ラックへの取り付け」の「ケーブル処理アームの取り付け」を参照してください。

ケーブルの配線

本書で前述の「4 柱型ラックへの取り付け」の「ケーブルの配線」を参照してください。

これで 2 柱型キットへのシステムの取り付けは完了です。

索引

数字

- 2 柱型キット
 - ケーブル処理アームの取り付け, 4-28
 - ケーブルの配線, 4-28
 - 工具, 4-19
 - システムの取り付け, 4-28
 - スライドアセンブリの取り付け, 4-22
 - 手順, 4-18
 - ラックに印を付ける, 4-20

R

- RapidRails キットの付属品, 4-5

V

- VersaRails
 - キットの付属品, 4-5, 4-6
- VersaRails キットの付属品一覧, 4-5
- VersaRails のラック要件, 4-3

あ

- 安全にお使いいただくための注意, 4-1

き

- キットの付属品
 - RapidRails, 4-5
 - VersaRails, 4-6

け

- ケーブル, 4-17
- ケーブル処理アーム, 4-14
 - ケーブルの配線, 4-17, 4-28
 - 取り付け, 4-14, 4-28
- ケーブルの配線, 4-16, 4-28

こ

- 工具
 - 2 柱型キット, 4-19
- 工具と備品
 - 4 柱型キット, 4-4

し

- システムの取り付け
 - 2 柱型キット, 4-28
 - 4 柱型キット, 4-12

す

- 垂直レール
 - 1 ラックユニット, 4-7
 - 印を付ける, 4-6

て

- 手順
 - 2 柱型キット, 4-18

と

- 扉
 - 取り付け, 4-18
 - 取り外し, 4-6
- 取り付け
 - ケーブル処理アーム, 4-14, 4-28
 - スライドアセンブリ, 4-22

は

- 配線, 4-17

ふ

- 付属品の一覧
 - RapidRails キット, 4-5
 - VersaRails キット, 4-5

ら

ラック安定用の脚, 4-4

ラック取り付け時の注意事項,
4-3

ラックに印を付ける
2柱型キット, 4-20
4柱型キット, 4-6

ラックへの取り付け
システム, 4-12, 4-13

ラックユニット, 4-7

Sistemas Dell™

Guía de montaje del rack



Notas, avisos y precauciones



NOTA: una NOTA indica información importante que le ayudará a usar mejor su ordenador.



AVISO: un AVISO indica un posible daño en el hardware o la pérdida de datos e informa de cómo evitar el problema.



PRECAUCIÓN: un mensaje de **PRECAUCIÓN** indica la posibilidad de que el equipo resulte averiado, de sufrir lesiones personales o incluso la muerte.

La información de este documento está sujeta a modificaciones sin previo aviso.

© 2002 Dell Computer Corporation. Reservados todos los derechos.

Queda prohibida su reproducción en cualquier medio sin la autorización por escrito de Dell Computer Corporation.

Marcas comerciales que aparecen en el texto: *Dell*, el logotipo de *DELL*, *VersaRails* y *RapidRails* son marcas comerciales de Dell Computer Corporation.

En este documento pueden utilizarse otras marcas y nombres comerciales para referirse a las entidades propietarias de dichas marcas y nombres, o a sus productos. Dell Computer Corporation renuncia a cualquier derecho sobre las marcas y nombres comerciales que no sean de su propiedad.

Febrero de 2002 P/N 5G382 Rev. A00

Contenido

Instrucciones de seguridad	5-1
Instrucciones de montaje	5-2
Montaje del rack de cuatro montantes	5-3
Antes de empezar	5-3
Tareas de montaje	5-4
Herramientas y suministros recomendados	5-5
Contenido del kit de rack RapidRails	5-5
Contenido del kit de rack VersaRails	5-6
Desmontaje de las puertas del rack	5-6
Marcado del rack	5-7
Montaje de los conjuntos deslizantes RapidRails	5-9
Montaje de los conjuntos deslizantes VersaRails	5-11
Montaje del sistema en el rack	5-13
Montaje de la extensión para tendido de cables	5-14
Tendido de cables	5-17
Colocación de las puertas del rack	5-19
Montaje del rack de dos montantes	5-19
Tareas de montaje del rack de dos montantes	5-20
Herramientas y suministros recomendados	5-20
Contenido del kit de rack	5-20
Marcado del rack	5-21
Montaje de los conjuntos deslizantes en el rack	5-23
Montaje del sistema en el rack	5-29
Montaje de la extensión para tendido de cables	5-29
Tendido de cables	5-29

Índice

Figuras

Figura 5-1.	Contenido del kit de rack RapidRails	5-5
Figura 5-2.	Contenido del kit de rack VersaRails	5-6
Figura 5-3.	Unidad de rack	5-7
Figura 5-4.	Marcado de las guías verticales	5-8
Figura 5-5.	Montaje de los conjuntos deslizantes RapidRails	5-10
Figura 5-6.	Montaje de los conjuntos deslizantes VersaRails	5-12
Figura 5-7.	Montaje del sistema en el rack (RapidRails o VersaRails)	5-14
Figura 5-8.	Montaje de la extensión para tendido de cables.	5-15
Figura 5-9.	Montaje de la extensión para tendido de cables.	5-16
Figura 5-10.	Tendido de los cables de alimentación	5-17
Figura 5-11.	Tendido de cables	5-18
Figura 5-12.	Componentes del kit de rack de dos montantes.	5-21
Figura 5-13.	Separación de los orificios universal en un rack open-frame relay de dos montantes	5-22
Figura 5-14.	Separación de los orificios amplia en un rack open-frame relay de dos montantes	5-22
Figura 5-15.	Montaje de los conjuntos deslizantes para configuración de montaje centrado	5-25
Figura 5-16.	Rotación del soporte del montaje frontal para instalación de montaje a ras.	5-27
Figura 5-17.	Montaje de los conjuntos deslizantes para configuración de montaje a ras.	5-28

Instrucciones de seguridad

Siga estas directrices de seguridad, con el fin de garantizar su propia seguridad y la del servidor, sistema de almacenamiento o equipo frente a daños potenciales. Para obtener información completa acerca de la seguridad y las normas, consulte el documento *Información del sistema*. La información de la garantía puede incluirse en este documento o en un documento aparte.


PRECAUCIÓN: precauciones para los productos montados en rack

Tenga en cuenta estas precauciones para garantizar la estabilidad y seguridad del rack. Consulte también la documentación de montaje en rack que se suministra con el sistema y el rack para conocer las indicaciones y los procedimientos específicos de advertencia y de precaución.

Los servidores, sistemas de almacenamiento y equipos se consideran componentes del rack. Por lo tanto, “componente” se refiere a cualquier servidor, sistema de almacenamiento o equipo, así como a los distintos periféricos o al hardware de soporte.

PRECAUCIÓN: la instalación de componentes de sistemas en un rack sin los estabilizadores delanteros o laterales montados puede hacer que vuelque el rack, hecho que puede llegar a producir lesiones personales en ciertas circunstancias. Por tanto, monte siempre los estabilizadores antes de montar los componentes en el rack.

Después de montar los sistemas o componentes en un rack, nunca extraiga más de un componente sobre sus conjuntos deslizantes de forma simultánea. El peso de más de un componente puede hacer que vuelque el rack y lesionar a alguien.

 **NOTA:** el sistema Dell está homologado en cuanto a seguridad como unidad autónoma y como componente para su uso en un armario rack utilizando el kit de rack para clientes cuando el armario rack y el kit de rack se diseñaron para el sistema. El montaje del sistema y kit de rack en otros armarios rack no ha sido aprobado por ninguna agencia de seguridad. Es responsabilidad del cliente la evaluación, por parte de una agencia de seguridad certificada, de la combinación de sistema y kit para rack montados en armarios de otras marcas. El fabricante declina toda responsabilidad y garantías relacionadas con tales combinaciones.

- Los kits para rack están concebidos para su montaje en un rack aprobado por técnicos de servicio con experiencia. Si monta el kit en cualquier otro rack, éste debe cumplir las especificaciones.

PRECAUCIÓN: no mueva racks de gran tamaño sin ayuda. Debido a la altura y al peso del rack, se recomienda un mínimo de dos personas para realizar dicha tarea.

- Antes de trabajar en el rack, los estabilizadores deben estar fijados en el rack, deben llegar al suelo y todo el peso del rack debe descansar sobre el suelo. Asimismo, monte los estabilizadores delanteros y laterales en un único rack, o los estabilizadores delanteros para varios racks unidos.
- Cargue siempre el rack desde la parte inferior hacia arriba, colocando en primer lugar el elemento más pesado.
- El rack debe estar nivelado y estabilizado antes de extraer un componente.
- Tenga cuidado al presionar los pestillos de liberación de las guías de componentes y al extraer o volver a introducir un componente en el rack, puesto que puede pillarse los dedos con las guías deslizantes.
- Una vez insertado un componente en el rack, extienda con cuidado la guía hasta su posición de bloqueo y deslice el componente hacia el interior del rack.
- No sobrecargue el ramal del circuito de la fuente de alimentación que suministra energía al rack. La carga total del rack no debe ser superior al 80 por ciento del valor nominal del ramal del circuito.
- Los componentes del rack deben disponer de suficiente circulación de aire.
- No se suba ni se apoye en ningún sistema o componente al reparar otros sistemas o componentes del rack.

Instrucciones de montaje


Esta guía de montaje proporciona instrucciones para técnicos de servicio formados que instalen uno o más sistemas en un rack open-frame relay o en un armario rack. El kit de rack RapidRails™ se puede montar en todos los armarios rack del fabricante sin herramientas y el kit de rack VersaRails™ se puede instalar en la mayoría de los armarios rack estándar del sector. Los procedimientos para montar los kits de racks RapidRails y VersaRails son similares. Por cada sistema que se vaya a montar en el armario rack se precisa un kit para rack.

La guía incluye los procedimientos para los kits de rack siguientes:


- El kit RapidRails en un armario rack de cuatro montantes
- El kit VersaRails en un armario rack de cuatro montantes
- El kit de dos montantes (montado con una configuración de montaje centrado o montaje a ras, para racks con una anchura de 3 o 6 pulgadas)

Para facilitar la resolución de problemas y la identificación del estado del sistema, estos kits de racks incluyen un cable de indicador de estado que transfiere la información de los indicadores de estado de dos colores de los paneles frontal y posterior a la parte posterior de la extensión para tendido de cables. Para obtener información adicional sobre estos indicadores, consulte la *Guía del usuario* del sistema.

Antes de llevar a cabo la instalación, lea detenidamente el documento completo.

 **PRECAUCIÓN: no instale componentes del kit de rack que se hayan diseñado para otro sistema. Utilice únicamente el kit de rack para su sistema. Si utiliza un kit de rack para otro sistema, pueden causarse daños en el sistema y lesiones personales a uno mismo o a otros.**

Requisitos del rack para VersaRails

 **AVISO:** el kit de rack VersaRails lo deben montar únicamente técnicos de servicio formados en un rack que cumpla con las especificaciones siguientes: American National Standards Institute (ANSI)/Electronic Industries Association (EIA) ANSI/EIA-310-D-92, International Electrotechnical Commission (IEC) 297 y Deutsche Industrie Norm (DIN) 41494. Se precisa un kit de rack para cada sistema que se monte en el rack.


Montaje del rack de cuatro montantes

Antes de llevar a cabo la instalación, lea detenidamente el procedimiento completo.

Antes de empezar

Antes de montar el sistema en el rack, lea detenidamente las “Instrucciones de seguridad” en una sección anterior de este documento, así como las instrucciones de seguridad incluidas en el documento *Información del sistema* para obtener información adicional.

 **PRECAUCIÓN: cuando monte varios sistemas en un rack, realice todos los procedimientos del sistema que esté instalando antes de montar el siguiente.**

 **PRECAUCIÓN: los armarios rack pueden ser enormemente pesados y a la vez moverse con facilidad con sus ruedas. El armario no tiene frenos. Ponga un cuidado exquisito al mover el armario rack. Cierre el pie estabilizador al volver a colocar el armario rack. Evite inclinaciones y rampas largas o pronunciadas en las que se pueda producir una pérdida de control del armario. Extienda el pie estabilizador para utilizarlo como soporte y para evitar que ruede.**

Información de seguridad importante

Cuando monte el sistema en el rack, tome las precauciones de seguridad que se indican en los siguientes apartados.

⚠ PRECAUCIÓN: debe seguir estrictamente los procedimientos que se explican en esta guía para protegerse a sí mismo y a otras personas que se puedan ver involucradas. El sistema puede tener una envergadura y un peso considerables por lo que son importantes una preparación y planificación adecuadas para evitar lesiones personales a uno mismo y a otros. Esto es más importante aún cuando se montan sistemas en la parte alta del rack.

Pie estabilizador para el rack

⚠ PRECAUCIÓN: la instalación de sistemas en un rack sin los estabilizadores delanteros y laterales montados puede hacer que vuelque el rack, hecho que puede llegar a producir lesiones personales en ciertas circunstancias. Por tanto, monte siempre el pie estabilizador antes de montar los componentes en el rack.

⚠ PRECAUCIÓN: tras instalar sistemas en un rack, nunca extraiga más de un sistema del rack sobre su conjunto deslizante a la vez. El peso de más de un sistema extendido puede hacer que vuelque el rack y causar algún daño.

El pie estabilizador evita que vuelque el rack cuando se extrae más de un sistema u otro componente con el conjunto deslizante totalmente extendido. Consulte la documentación que se suministra con el armario rack para obtener instrucciones sobre el montaje y la fijación del pie estabilizador.

Tareas de montaje

La instalación de un kit para rack implica realizar las siguientes tareas en el orden indicado:

- 1 Desmontaje de las puertas del rack
- 2 Marcado del rack
- 3 Montaje de los conjuntos deslizantes en el rack:
 - Montaje de RapidRails
 - Montaje de VersaRails
- 4 Montaje del sistema en el rack
- 5 Montaje de la extensión para tendido de cables
- 6 Tendido de cables
- 7 Colocación de las puertas del rack

Herramientas y suministros recomendados

Para montar el sistema en un rack de cuatro montantes necesita las herramientas y los suministros siguientes:

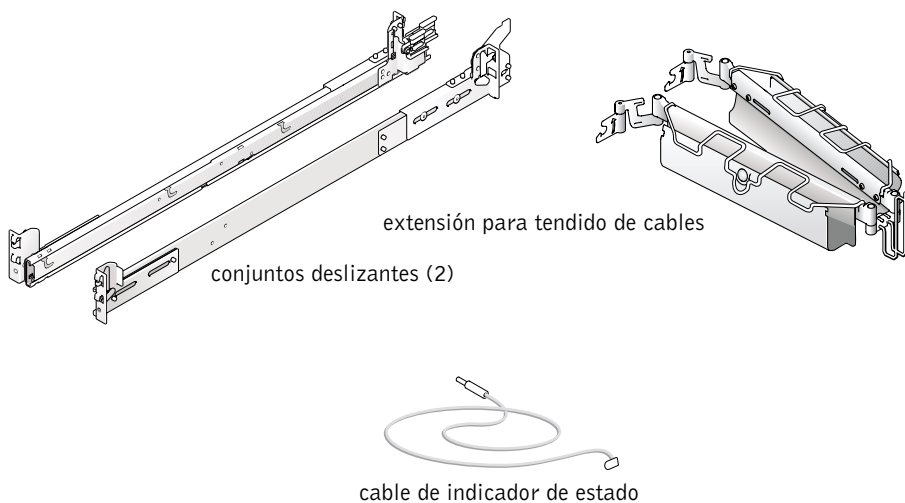
- Un destornillador Phillips n° 2 (para montaje de conjuntos deslizantes VersaRails)
- Cinta de enmascaramiento o rotulador de punta de fieltro, para marcar los orificios de montaje necesarios

Contenido del kit de rack RapidRails

El kit para rack RapidRails incluye los siguientes elementos (consulte la Figura 5-1):

- Un par de conjuntos deslizantes RapidRails
- Una extensión para tendido de cables
- Un cable de indicador de estado
- Abrazaderas

Figura 5-1. Contenido del kit de rack RapidRails



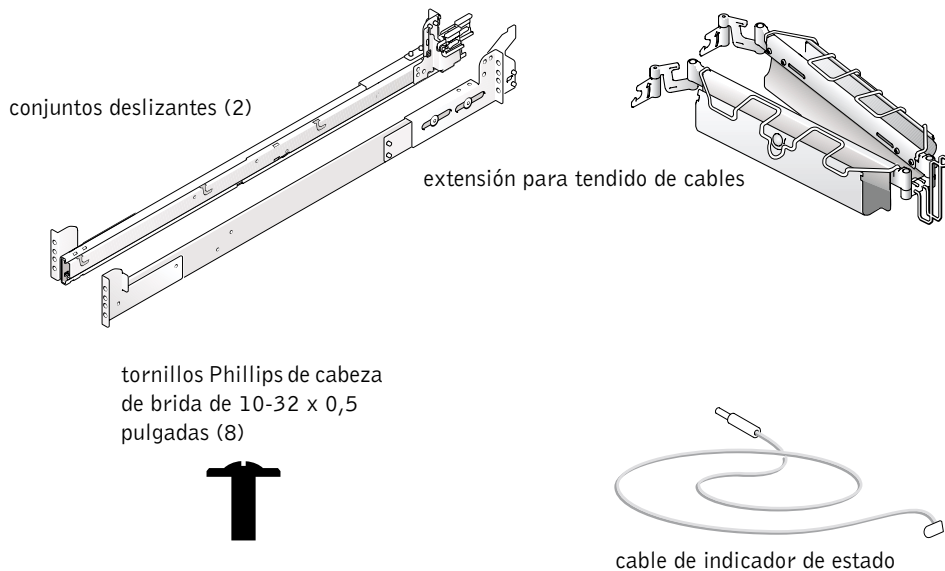
Contenido del kit de rack VersaRails

El kit para rack VersaRails incluye los siguientes elementos (consulte la Figura 5-2):

- Un par de conjuntos deslizantes VersaRails
- Una extensión para tendido de cables
- Un cable de indicador de estado
- Ocho tornillos Phillips de 10-32 x 0,5 pulg. con cabeza de brida
- Abrazaderas

NOTA: los tornillos no métricos que se describen en las ilustraciones y en los pasos de los procedimientos se identifican por el tamaño y el número de roscas por pulgada. Por ejemplo, un tornillo Phillips del nº 10 con 32 roscas por pulgada se identifica como un tornillo 10-32.

Figura 5-2. Contenido del kit de rack VersaRails



Desmontaje de las puertas del rack

Para retirar las puertas, consulte los procedimientos en la documentación que se suministra con el armario rack.

⚠ PRECAUCIÓN: debido al tamaño y al peso de las puertas del compartimiento del rack, nunca debe intentar una sola persona montarlas ni desmontarlas.

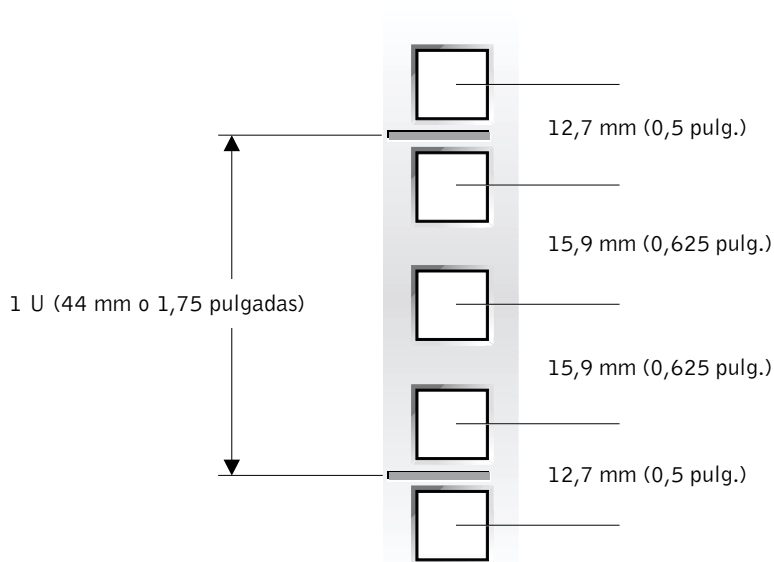
⚠ PRECAUCIÓN: guarde las dos puertas donde no puedan lesionar a nadie si caen accidentalmente.

Marcado del rack

Debe dejar 2-U (88 mm o 3.5 pulgadas) de espacio vertical para cada sistema que monte en el rack. Los armarios rack que cumplan con los estándares EIA-310 tienen un patrón alterno de tres orificios por unidad de rack con un espacio entre orificio de centro a centro (comenzando en el orificio superior de un espacio 1-U) de 15,9 mm, 15,9 mm y 12,7 mm (0,625 pulg., 0,625 pulg. y 0,5 pulg.) para las guías verticales frontal y posterior (consulte la Figura 5-3). Los armarios rack pueden tener los orificios redondos o cuadrados.

NOTA: las guías verticales pueden marcarse con líneas horizontales y números en incrementos de 1-U. Si lo desea, puede crear una nota del número haciendo una marca en la guía vertical del rack. No es necesario marcar o colocar cinta en el rack. Si elige este método, pase directamente al procedimiento "Montaje de conjuntos deslizantes RapidRails".

Figura 5-3. Unidad de rack



PRECAUCIÓN: si va a montar más de un sistema, monte los conjuntos deslizantes de modo que el primer sistema se monte en la posición más baja disponible en el rack.

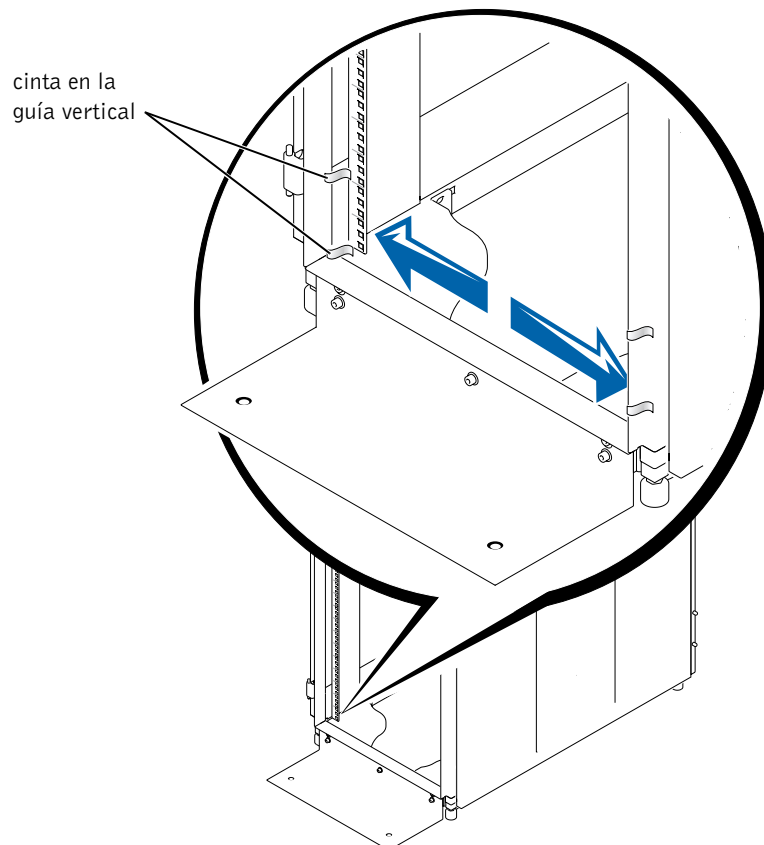
Para marcar el rack, realice los pasos siguientes:

- 1 Coloque una marca en las guías verticales frontales en las que desee colocar la parte inferior del sistema que está instalando en el armario rack.

La parte inferior de cada espacio de 1-U se encuentra en medio del espacio metálico más estrecho entre orificios (marcados con una línea horizontal en algunos armarios rack, consulte la Figura 5-4).

- 2 Coloque una marca a 88 mm (3,5 pulg.) por encima de la marca original (o cuente hasta el sexto orificio en un rack que cumpla los estándares EIA-310) y marque las guías verticales frontales del rack con un rotulador de punta de fieltro o coloque cinta enmascaramiento donde (si ha contado orificios, coloque una marca encima del orificio superior). Esta marca o trozo de cinta indica dónde se va a situar el borde superior del sistema en las guías verticales (consulte la Figura 5-4).

Figura 5-4. Marcado de las guías verticales



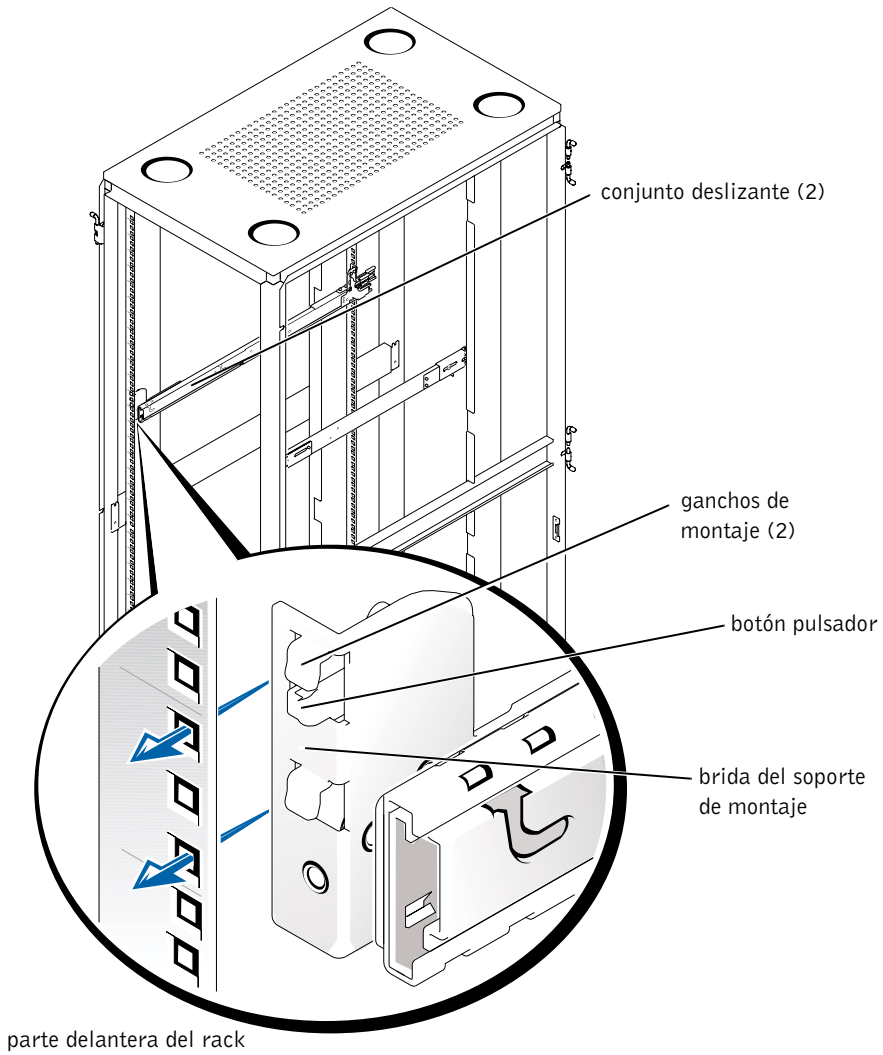
Montaje de los conjuntos deslizantes RapidRails

- 1 En la parte frontal del armario rack, coloque uno de los conjuntos deslizantes RapidRails de forma que la brida del soporte de montaje se ajuste perfectamente entre las marcas o la cinta colocada en el rack (consulte la Figura 5-5).

El gancho de montaje superior situado en la brida del soporte de montaje frontal del conjunto deslizante deberá entrar en el orificio superior entre las marcas hechas en las guías verticales.

- 2 Empuje sobre el conjunto deslizante hacia delante hasta que el gancho de montaje superior sobre el que ha dibujado una marca quede colocado en los orificios cuadrados correspondientes de la guía vertical y, a continuación, empuje hacia abajo la brida del soporte de montaje hasta que los ganchos de montaje se introduzcan en los orificios cuadrados, y el botón pulsador salga y emita un clic (consulte la Figura 5-5).
- 3 En la parte posterior del armario, tire hacia atrás de la brida de soporte de montaje hasta que el gancho de montaje superior quede colocado en el orificio cuadrado correspondiente y, a continuación, empuje hacia abajo sobre la brida hasta que los ganchos de montaje se introduzcan en los orificios cuadrados y el botón pulsador salga y emita un clic.
- 4 Repita los pasos del 1 al 3 para el conjunto deslizante del otro lateral del rack.
- 5 Asegúrese de que las guías están montadas en la misma posición vertical en ambos lados del rack.

Figura 5-5. Montaje de los conjuntos deslizantes RapidRails



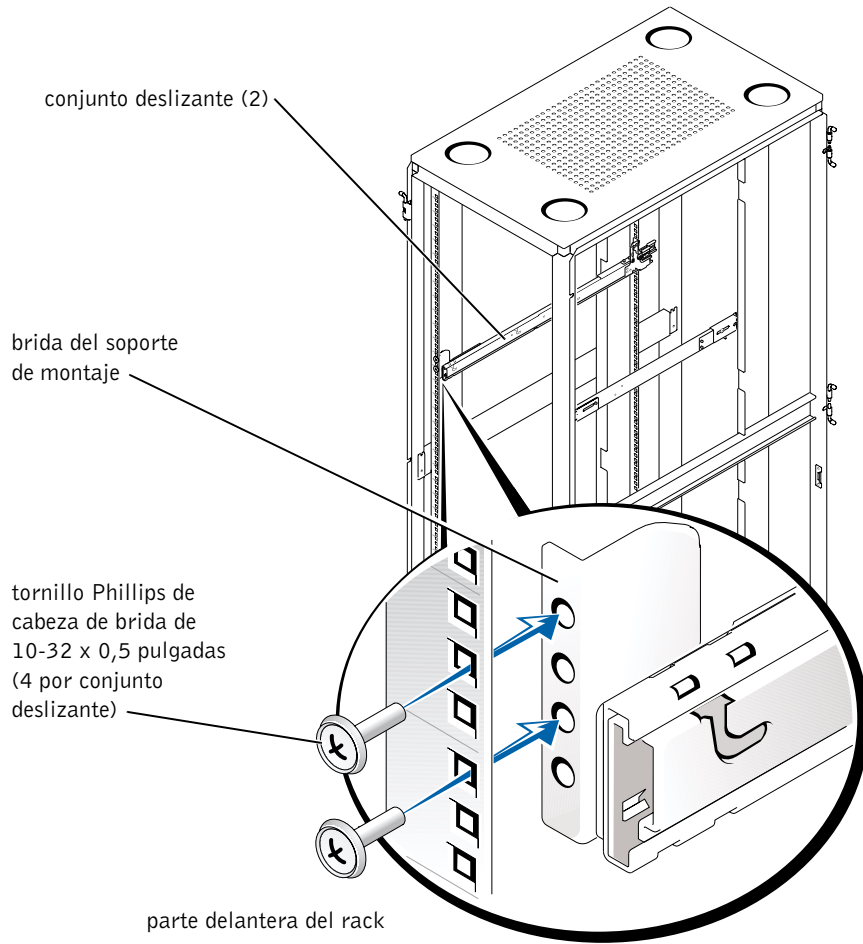
Montaje de los conjuntos deslizantes VersaRails

- 1 En la parte frontal del armario rack, coloque uno de los conjuntos deslizantes VersaRails de forma que la brida del soporte de montaje se ajuste perfectamente entre las marcas o la cinta colocada (o la ubicación numerada) en el rack (consulte la Figura 5-6).


Los cuatro orificios de la parte frontal del soporte de montaje deben alinearse con los cuatro orificios entre las marcas dibujadas en la guía vertical frontal.

- 2 Coloque dos tornillos Phillips de cabeza de brida de 10-32 x 0,5 pulg. en el orificio superior de la brida y en el tercer orificio contando desde la parte superior para sujetar el conjunto deslizante a la guía vertical frontal (consulte la Figura 5-6)
- 3 En la parte trasera del armario, tire hacia atrás de la brida del soporte de montaje hasta que los orificios de montaje queden alineados con los orificios correspondientes de la guía vertical trasera.
- 4 Coloque dos tornillos Phillips de cabeza de brida de 10-32 x 0,5 pulg. en el orificio posterior de la brida y en el tercer orificio contando desde la parte superior para sujetar el conjunto deslizante a la guía vertical posterior.
- 5 Repita los pasos del 1 al 4 para el conjunto deslizante del otro lateral del rack.
- 6 Asegúrese de que los conjuntos deslizantes están montados en la misma posición en las guías verticales en cada lado del rack.

Figura 5-6. Montaje de los conjuntos deslizantes VersaRails



Montaje del sistema en el rack

 **PRECAUCIÓN:** si va a montar más de un sistema, monte el primero en la posición más baja que haya disponible en el rack.

 **PRECAUCIÓN:** nunca extraiga más de un componente del rack a la vez.

- 1 Tire de los dos conjuntos deslizantes hacia fuera del rack hasta que queden totalmente extendidos.

 **PRECAUCIÓN:** debido al tamaño y el peso del sistema, no intente nunca montar el sistema en los conjuntos deslizantes sin ayuda.

- 2 Levante el sistema hasta su posición en la parte delantera de los conjuntos deslizantes.
- 3 Coloque una mano sobre la parte inferior frontal del sistema y la otra mano en la parte inferior posterior del sistema.
- 4 Incline la parte posterior del sistema hacia abajo mientras alinea los tornillos de pivote traseros del sistema con las ranuras traseras de los conjuntos deslizantes.
- 5 Acople los tornillos de pivote posteriores en sus ranuras.
- 6 Baje la parte frontal del sistema y acople los tornillos de pivote frontal y central en sus ranuras (la ranura central está justo detrás del pestillo amarillo de liberación del sistema) (consulte la Figura 5-7).

Cuando estén correctamente colocados todos los tornillos de pivote, el pestillo amarillo de cada conjunto deslizante emite un clic y bloquea el sistema en el conjunto deslizante.

- 7 Presione el pestillo de liberación verde del deslizante situado en el lado del cada conjunto deslizante para deslizar el sistema completamente hacia el interior del rack (consulte la Figura 5-7).
- 8 Apriete los tornillos de mano integrados en cada lado del panel frontal del chasis para sujetar el sistema al rack.


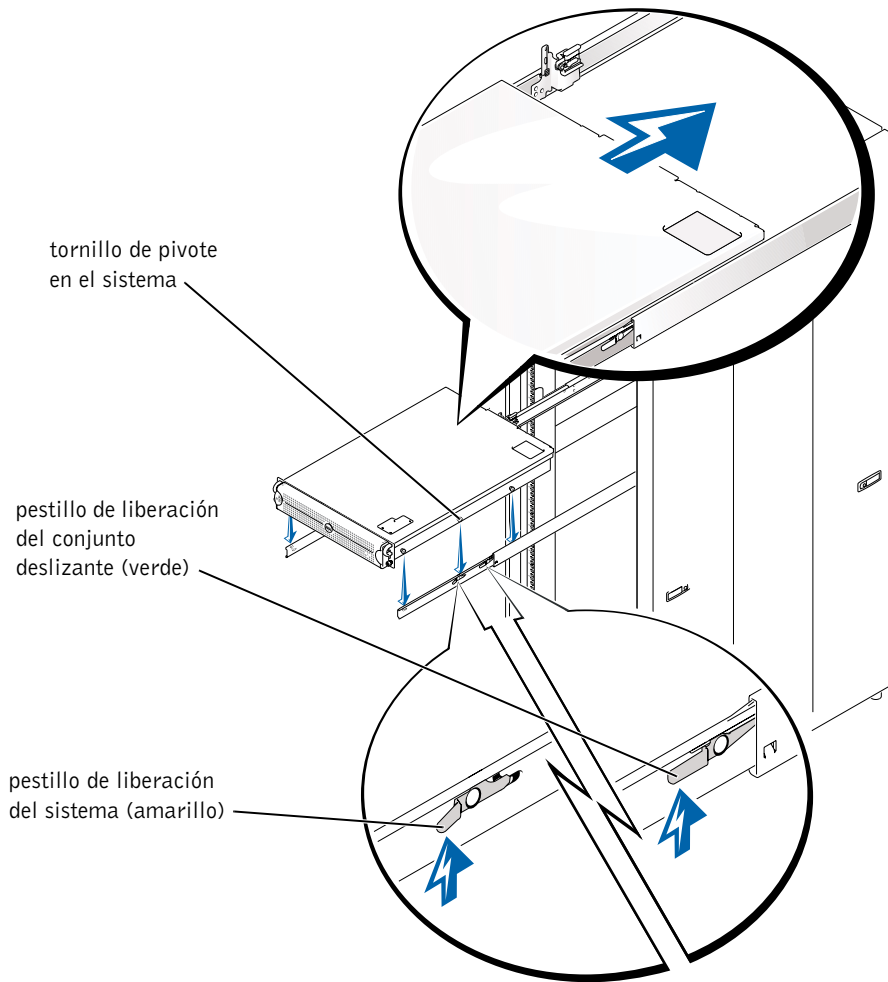
 **NOTA:** utilice este pestillo amarillo de liberación del sistema siempre que desee retirar el sistema de los conjuntos deslizantes.

Figura 5-7. Montaje del sistema en el rack (RapidRails o VersaRails)



Montaje de la extensión para tendido de cables

⚠ AVISO: la extensión para tendido de cables sólo se puede montar en el lado derecho del armario rack (visto desde la parte posterior).

Para montar la extensión para tendido de cables en el sistema, siga estos pasos:

- 1 Desde detrás del armario rack, localice el pestillo del extremo del conjunto deslizante.

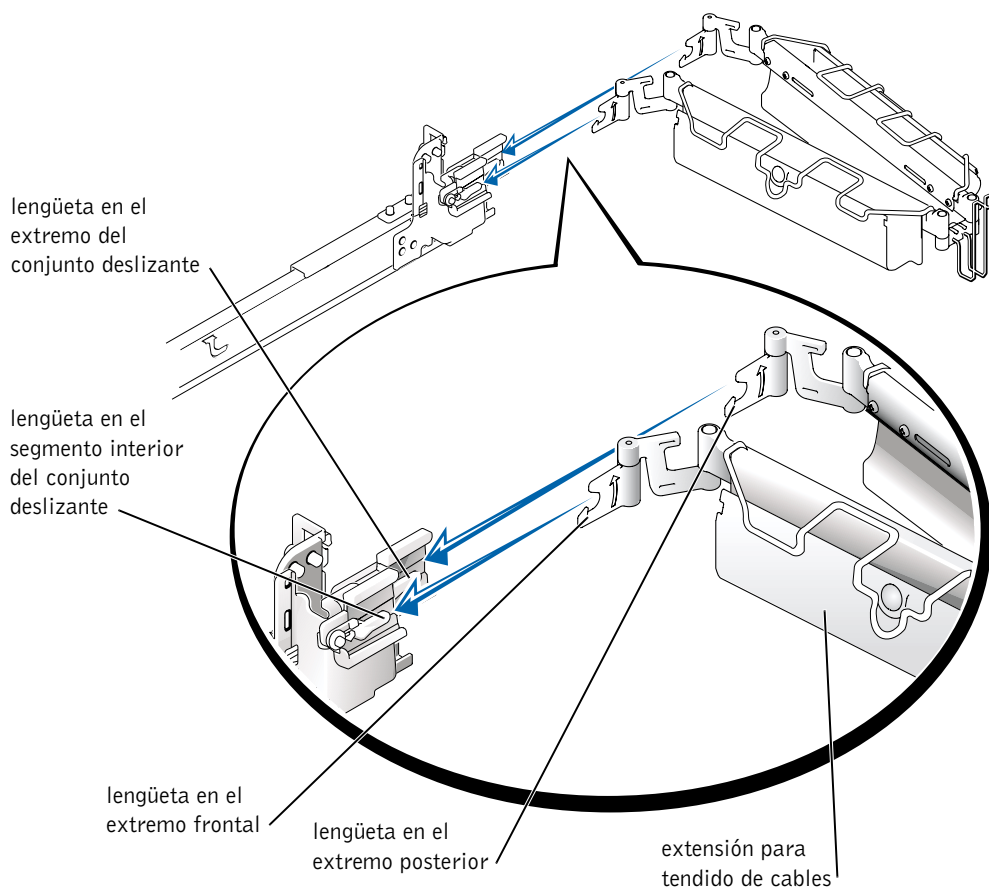
- 2 Presione la lengüeta del extremo posterior de la extensión para tendido de cables en el pestillo del extremo del conjunto deslizante (consulte la Figura 5-8).

El pestillo hace clic al bloquearse.

- 3 Presione la lengüeta del extremo frontal de la extensión para tendido de cables en el pestillo correspondiente del segmento interno del conjunto deslizante (consulte la Figura 5-8).

El pestillo hace clic al bloquearse.

Figura 5-8. Montaje de la extensión para tendido de cables

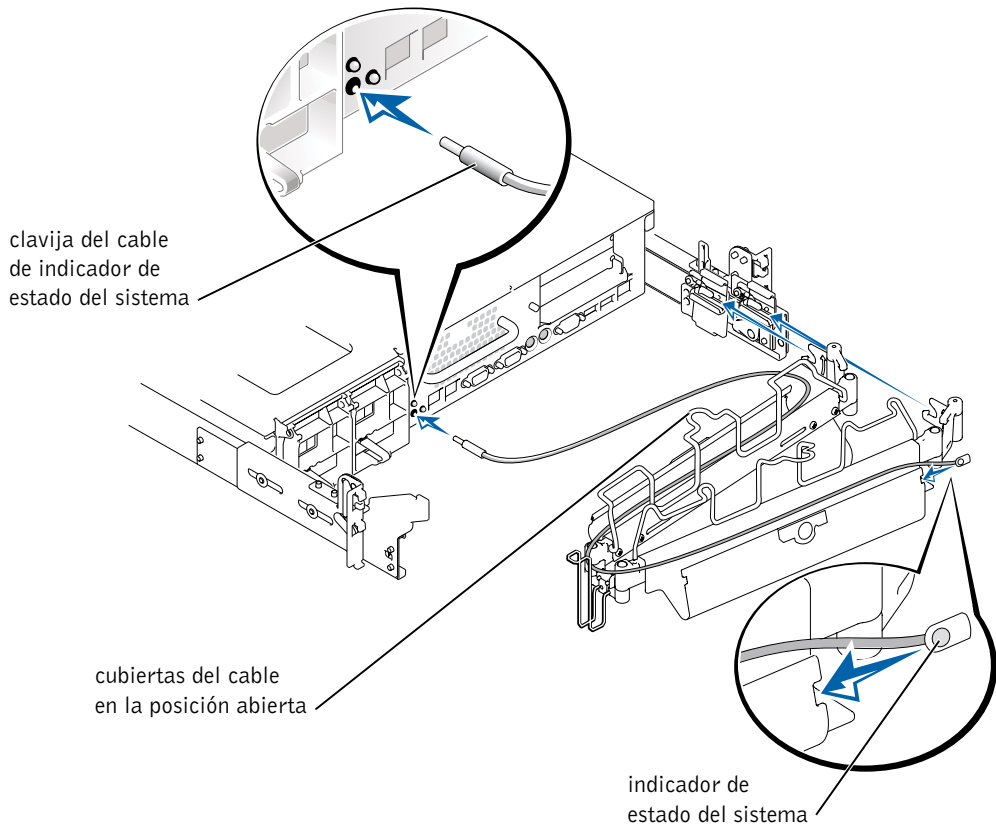


- 4 Monte el enchufe del cable de indicador de estado en su conector (consulte la Figura 5-9).
- 5 Abra las cubiertas de los cables de la extensión para tendido de cables levantando el centro del cable sobre la parte superior del botón circular repujado en la parte frontal delantera de la extensión y levantando el cable sobre la parte superior del botón circular similar de la parte posterior de la extensión.

La cubierta del cable se abre y permite canalizar los cables dentro de la extensión.

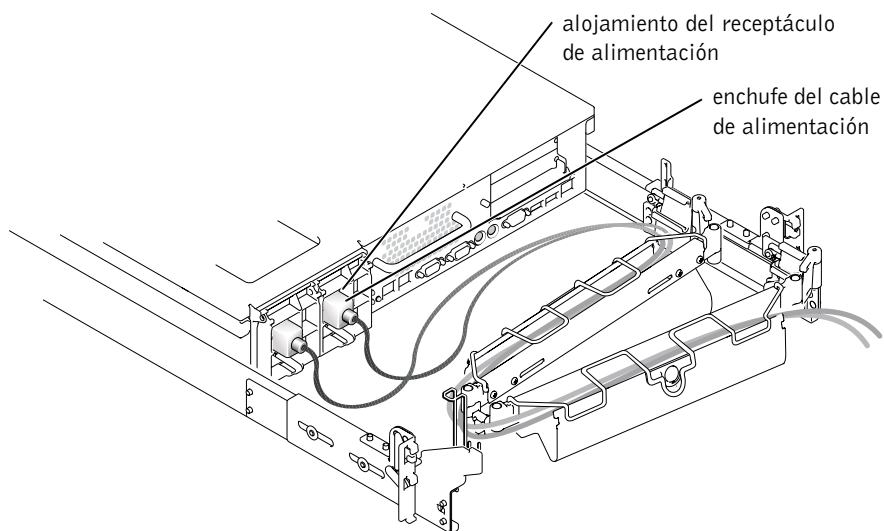
- 6 Tienda el extremo del indicador de estado del sistema del cable por la extensión para tendido de cables y monte el indicador en su ranura de la parte posterior de la extensión para tendido de cables (consulte la Figura 5-9).

Figura 5-9. Montaje de la extensión para tendido de cables



- 7 Conecte los cables de alimentación a sus receptáculos del panel posterior (consulte la Figura 5-10).

Figura 5-10. Tendido de los cables de alimentación



⚠ PRECAUCIÓN: deje cierta holgura en cada cable conforme los canaliza alrededor de las bisagras de la extensión para tendido de cables.

Tendido de cables

- 1 Acople los conectores del cable de E/S en sus respectivos conectores en el panel posterior del sistema.
Para obtener más detalles sobre las conexiones de cables, consulte la *Guía de instalación y resolución de problemas* y a la *Guía del usuario* de su sistema.
- 2 Tienda los cables de alimentación y de E/S, utilizando cuatro abrazaderas que tengan suficiente holgura (dos en el medio y una en cada extremo de la extensión para tendido de cables). No apriete completamente ahora las abrazaderas (consulte la Figura 5-11).
Deje cierta holgura en el cable en la extensión para tendido de cables para evitar daños en los cables.


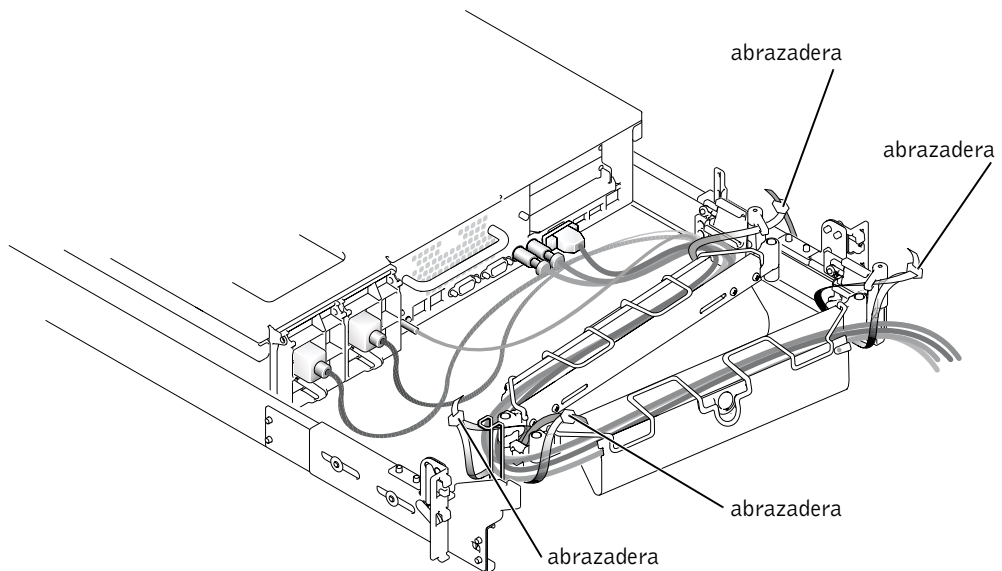

- 3 Fije los cables en la extensión para tendido de cables:
 - a Después de conectar los cables al sistema, desenrosque los tornillos de mano que sujetan la parte delantera del sistema a la guía vertical delantera.
 - b Deslice el sistema hacia adelante hasta que esté completamente extendido.
 - c Tienda los cables a lo largo de la extensión para tendido de cables, realice los ajustes de holgura necesarios en los cables en las posiciones de las bisagras y fije los cables a la extensión para tendido de cables con las abrazaderas y cierre las cubiertas de los cables sobre la extensión para tendido de cables.
-  **NOTA:** al extraer el sistema hasta su posición máxima, los conjuntos deslizantes quedarán bloqueados. Para volver a introducir el sistema en el rack, presione el pestillo de liberación deslizante en cada lado del deslizante y deslice completamente el sistema hacia el interior del rack.
- 4 Deslice el sistema dentro y fuera del rack para comprobar que los cables están correctamente tendidos y no quedan doblados, estirados ni pinzados con el movimiento de la extensión para tendido de cables.
- 5 Apriete las abrazaderas lo suficiente para garantizar que la holgura permita que el cable no esté ni demasiado tensa ni demasiado suelta, sino que mantenga los cables en su sitio conforme el sistema se introduce y se saque del rack.

Figura 5-11. Tendido de cables



Colocación de las puertas del rack

Consulte los procedimientos para volver a colocar las puertas en la documentación suministrada con el rack.


 **PRECAUCIÓN: debido al tamaño y al peso de las puertas del compartimiento del rack, nunca debe intentar una sola persona montarlas ni desmontarlas.**

Con esto se completa la instalación del rack del sistema en un armario rack de cuatro montantes.

Montaje del rack de dos montantes

El kit de rack de dos montantes se utiliza para montar un sistema en un rack open-frame relay de dos montantes, como los que se encuentran en las instalaciones de equipos de telecomunicaciones. Es posible colocar los racks de dos montantes con una anchura de 3 y 6 pulgadas con una separación entre orificios universal. Puede montar este kit con una configuración de montaje central o de montaje a ras. El kit de dos montantes incorpora conjuntos deslizantes que permiten la extracción del sistema del rack para realizar operaciones de servicio.

Debe fijar de forma adecuada el rack open-frame relay de dos montantes al suelo, al techo o a la pared y, si procede, a otros racks adyacentes, mediante dispositivos de fijación para el suelo y la pared; los cortes o soldaduras se deben efectuar según los estándares o la aprobación del fabricante del rack o bien siguiendo las normas industriales al respecto. Antes de iniciar el montaje, consulte la documentación de montaje de racks open-frame relay de dos montantes del fabricante para consultar las advertencias de seguridad.

 **PRECAUCIÓN: no intente montar el sistema en un rack open-frame relay de dos montantes que no se haya fijado en su ubicación de forma segura. Puede provocar daños personales y daños al sistema.**

Consulte las “Instrucciones de seguridad” del principio de este documento para ver información adicional de seguridad con respecto al montaje en rack.

Tareas de montaje del rack de dos montantes

La instalación de un kit de rack de dos montantes incluye las siguientes tareas en el orden numerado:

- 1 Marcado del rack
- 2 Montaje de los conjuntos deslizantes en el rack:
 - Instalación de montaje centrado
 - Instalación de montaje a ras
- 3 Montaje del sistema en el rack
- 4 Montaje de la extensión para tendido de cables
- 5 Tendido de cables

Herramientas y suministros recomendados

Para montar el sistema en un open-frame relay de dos montantes necesita las herramientas y los suministros siguientes:

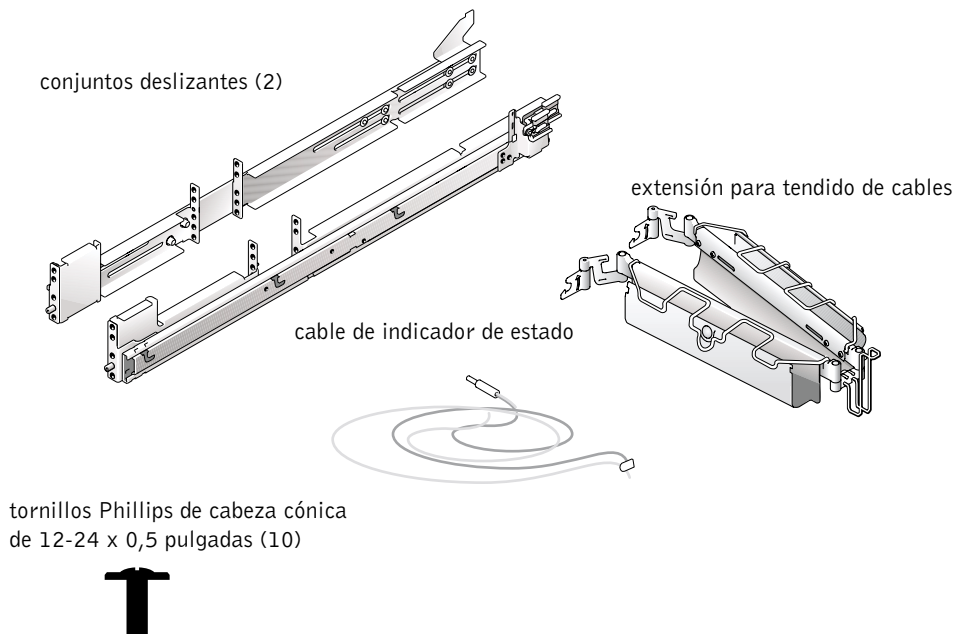
- Destornillador Phillips del n° 2
- Llave de 11/32 pulgadas (si se cambia a una configuración de montaje a ras)
- Cinta de enmascaramiento o rotulador de punta de fieltro para marcar los orificios de montaje

Contenido del kit de rack

El kit de rack de dos montantes incluye los siguientes elementos (consulte la Figura 5-12):

- Un par de conjuntos deslizantes (dos montantes)
- Una extensión para tendido de cables
- Un cable de indicador de estado
- Diez tornillos Phillips de cabeza cónica de 12-24 x 0,5 pulgadas
- Abrazaderas

Figura 5-12. Componentes del kit de rack de dos montantes



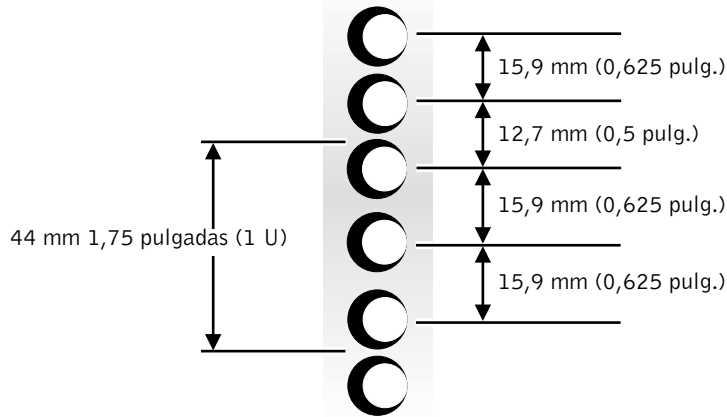
Marcado del rack

Debe dejar 2 U (88 mm o 3,5 pulgadas) de espacio vertical para cada sistema que monte en el rack de dos montantes.

Racks con separación entre orificios universal

Los racks de dos montantes estándar del sector con separación entre orificios universal tienen un patrón alterno de tres orificios por unidad de rack con un espacio entre orificio de centro a centro (comenzando en el orificio superior de un espacio de 1-U) de 15,9 mm, 15,9 mm y 12,7 mm (0,625 pulgadas, 0,625 pulgadas y 0,5 pulgadas) para la columna vertical frontal y posterior de los orificios (consulte la Figura 5-13).

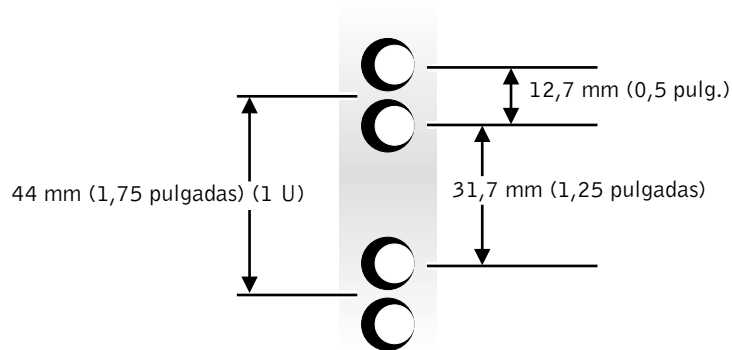
Figura 5-13. Separación de los orificios universal en un rack open-frame relay de dos montantes



Racks con separación entre orificios amplia

Algunos racks de dos montantes con separación entre orificios amplia tienen un patrón alterno de dos orificios por unidad de rack con un espacio entre orificio de centro a centro (comenzando en el orificio superior de un espacio de 1-U) de 31,7 mm, 12,7 mm (1,25 pulgadas y 0,5 pulgadas) para la columna vertical frontal y posterior de los orificios (consulte la Figura 5-14).


Figura 5-14. Separación de los orificios amplia en un rack open-frame relay de dos montantes



Para marcar el rack, realice los pasos siguientes:


- 1 Coloque una marca en las guías verticales frontales en las que desee colocar la parte inferior del sistema que está instalando en el rack de dos montantes.

La parte inferior de cada espacio de 1-U está en el centro del área metálica más estrecha entre orificios.

 **NOTA:** si el rack tiene una separación entre orificios amplia, vaya al paso 3.

- 2 Haga una marca de 88 milímetros (3,5 pulgadas) por encima de la marca original hecha (o cuente seis orificios en un rack con separación entre orificios universal) (consulte la Figura 5-13).

Cada 1-U (44 mm o 1,75 pulgadas) de espacio vertical en un rack con separación entre orificios universal tiene tres orificios con separación de centro a centro entre orificios (empezando en la parte superior de un espacio de 1-U) de 0,625, 0,625 y 0,5 pulgadas (consulte la Figura 5-13).


 **NOTA:** si el rack tiene una separación entre orificios universal, el procedimiento para marcar el rack está completo.

- 3 Haga una marca de 88 milímetros (3,5 pulgadas) por encima de la marca original hecha (o cuente cuatro orificios en un rack con separación entre orificios amplia) (consulte la Figura 5-14).

Cada 1-U (44 mm, o 1,75 pulgadas) de espacio vertical en un rack con una separación entre orificios amplia tiene dos orificios con separación de centro a centro entre los orificios (empezando en la parte superior de un espacio de 1-U) de 31,7 mm (1,25 pulgadas) (consulte la Figura 5-14).

Montaje de los conjuntos deslizantes en el rack

Puede montar los conjuntos deslizantes en un rack open-frame de dos montantes que tenga separación entre orificios universal (consulte la Figura 5-13) o separación entre orificios amplia (consulte la Figura 5-14). Puede instalar los conjuntos deslizantes de 2-U con una configuración de montaje a ras o de montaje centrado.

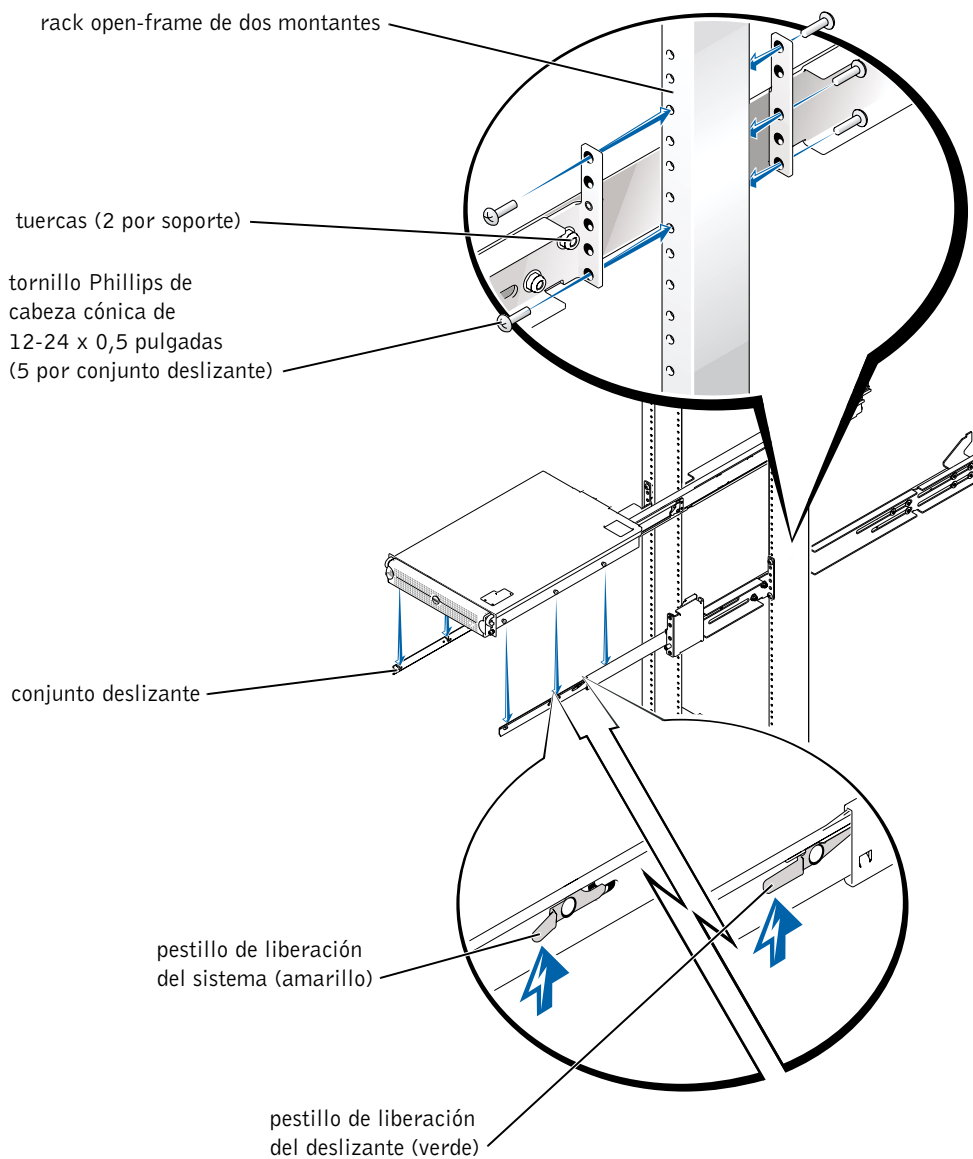
 **PRECAUCIÓN:** no intente montar otro sistema utilizando este kit de rack. Utilice únicamente el kit de rack destinado para su sistema. Si utiliza un kit de rack para otro sistema, pueden causarse daños en el sistema y lesiones personales a uno mismo o a otros.

Instalación de montaje centrado

El kit de rack de dos montantes se suministra con los soportes configurados para instalación de montaje centrado. Para completar el montaje, realice los pasos siguientes:


- 1** Localice el conjunto deslizante derecho y presione el soporte posterior hacia la parte posterior del mismo (consulte la Figura 5-15).
- 2** Coloque el conjunto deslizante derecho en el punto marcado del rack de dos montantes, presione el soporte posterior hacia adelante contra el rack vertical de dos montantes y fije los soportes de montaje centrado frontal con dos tornillos Phillips de cabeza cónica de 12-24 x 0,5 pulgadas y fije el soporte de montaje centrado posterior al rack con tres tornillos Phillips de cabeza cónica de 12-24 x 0,5-pulgadas (consulte la Figura 5-15).
- 3** Repita los pasos 1 y 2 para montar en el rack el conjunto deslizante izquierdo.

Figura 5-15. Montaje de los conjuntos deslizantes para configuración de montaje centrado



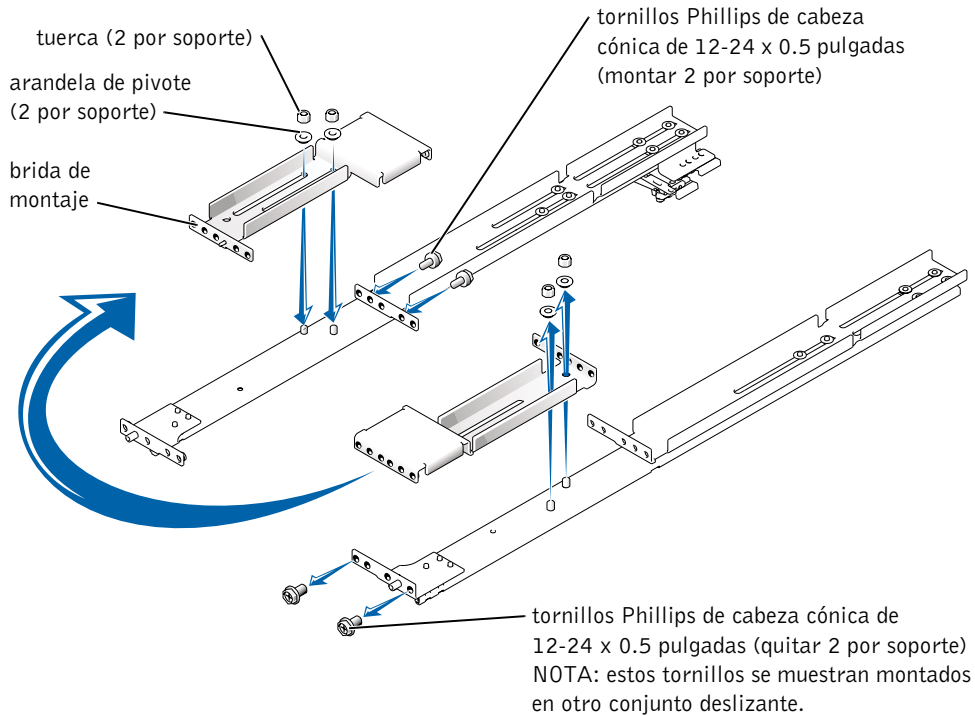
Instalación de montaje a ras

El kit para rack de dos montantes se suministra con los soportes configurados para instalación de montaje centrado. Para preparar los conjuntos deslizantes para montaje a ras en el rack de dos montantes, realice los pasos siguientes:

- 1 Localice los dos conjuntos deslizantes y colóquelos, uno al lado del otro, sobre una superficie de trabajo, con la parte frontal de los conjuntos deslizantes hacia uno mismo. Coloque ambos conjuntos deslizantes de forma que los soportes centrales estén colocados hacia arriba (consulte la Figura 5-16).
 **NOTA:** para preparar los deslizantes para instalación de montaje a ras, retire el soporte de montaje frontal, gírelo 180 grados y vuelva a montar el conjunto deslizante opuesto.
- 2 Con un destornillador Phillips del n° 2 y una llave de 11/32` pulgadas, quite los dos tornillos Phillips de cabeza cónica de 12-24 x 0,5 pulgadas, dos tuercas y dos arandelas de pivote de cada soporte central (consulte la Figura 5-16).
- 3 Retire el soporte frontal de ambos conjuntos deslizantes.
- 4 Coloque el soporte de un conjunto deslizante en los tornillos roscados del conjunto deslizante opuesto, con el soporte girado 180 grados de forma que la brida de montaje esté colocada hacia adelante (consulte la Figura 5-16).
- 5 Fije cada soporte de montaje central frontal (con sus tuercas y arandelas de pivote) apretándolos con el dedo en sus conjuntos deslizantes opuestos utilizando las dos arandelas de pivote y las dos tuercas retiradas en el paso 2 (consulte la Figura 5-16).

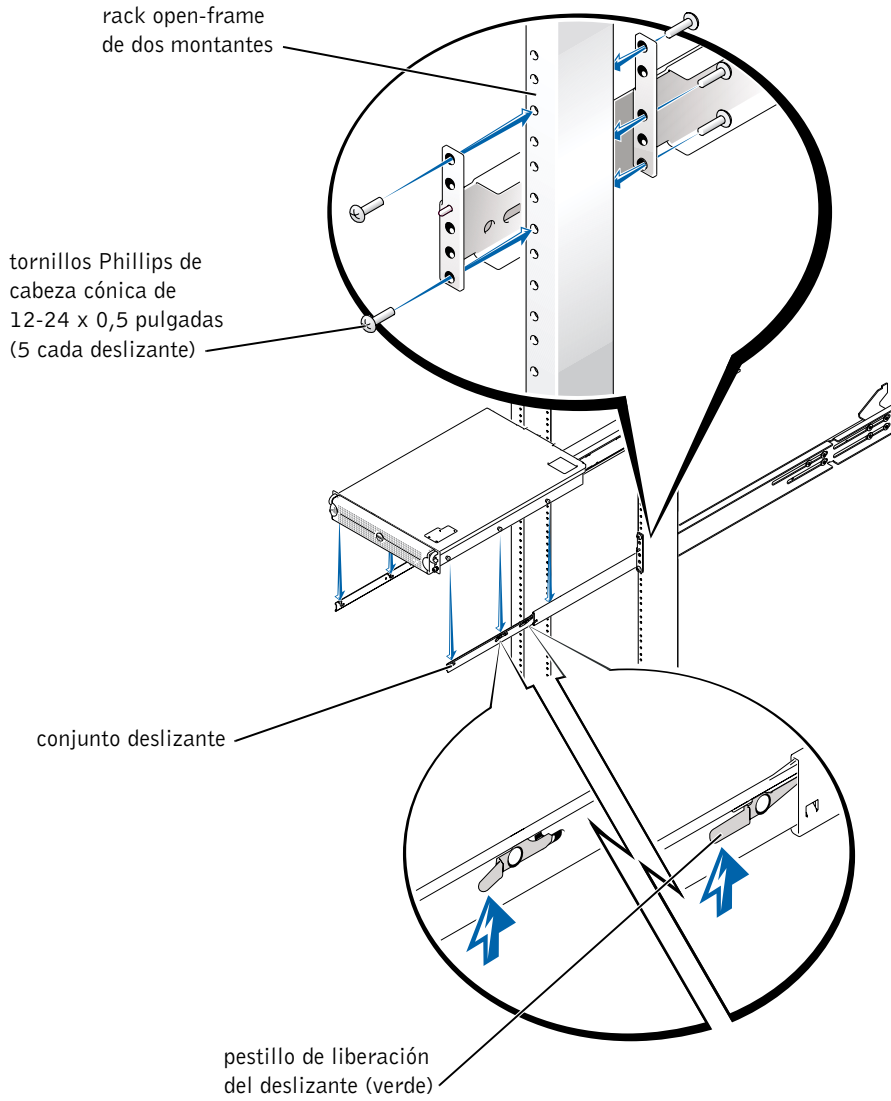
El soporte unido se convierte en el nuevo soporte posterior extendido.

Figura 5-16. Rotación del soporte del montaje frontal para instalación de montaje a ras




- 6 Repita los pasos 4 y 5 para configurar el otro conjunto deslizable.
- 7 Sujetando el conjunto deslizable izquierdo en su sitio en el punto marcado del rack de dos montantes, ajuste el soporte posterior extendido contra el rack vertical de dos montantes y fíjelo con tres tornillos Phillips de cabeza cónica de 12-24 x 0,5 pulgadas (consulte la Figura 5-17).
- 8 Fije el soporte frontal del conjunto deslizable a la guía de dos montantes con dos tornillos Phillips de cabeza cónica de 12-24 x 0,5 pulgadas (consulte la Figura 5-17).
- 9 Realice los pasos 7 y 8 para montar en el rack el conjunto deslizable derecho.
- 10 Utilice una llave de 11/32 pulgadas para apretar completamente las tuercas en los soportes de montaje de ambos conjuntos deslizantes que ha apretado con los dedos.

Figura 5-17. Montaje de los conjuntos deslizantes para configuración de montaje a ras




Montaje del sistema en el rack

 **PRECAUCIÓN:** debido al tamaño y el peso del sistema, no intente nunca montar el sistema sin ayuda.

 **NOTA:** el procedimiento para montar un sistema en un rack es idéntico tanto para los conjuntos deslizantes de montaje a ras como de montaje centrado.

1 Saque el sistema hasta que esté completamente extraído.

 **PRECAUCIÓN:** debido al tamaño y el peso del sistema, no intente nunca montar el sistema en los conjuntos deslizantes sin ayuda.

2 Levante el sistema a su posición (consulte la Figura 5-17).

3 Coloque una mano sobre la parte inferior frontal del sistema y la otra mano en la parte inferior posterior del sistema.

4 Incline la parte posterior del sistema hacia abajo mientras alinea los tornillos de pivote traseros del sistema con las ranuras traseras de los conjuntos deslizantes.


5 Acople los tornillos de pivote posteriores en sus ranuras.

6 Baje la parte frontal del sistema y acople los tornillos de pivote frontal y central en sus ranuras (la ranura central está justo detrás del pestillo amarillo de liberación del sistema) (consulte la Figura 5-17).

Cuando estén correctamente colocados todos los tornillos de pivote, el pestillo amarillo de cada conjunto deslizante emite un clic y bloquea el sistema en el conjunto deslizante.

7 Presione el pestillo de liberación verde del deslizante situado en el lado de cada conjunto deslizante para deslizar el sistema completamente hacia el interior del rack (consulte la Figura 5-17).

8 Apriete los tornillos de mano integrados en cada lado del panel frontal del chasis para sujetar el sistema al rack.

 **NOTA:** Utilice este pestillo amarillo de liberación del sistema siempre que desee retirar el sistema de los conjuntos deslizantes.

Montaje de la extensión para tendido de cables

Consulte "Montaje de la extensión para tendido de cables" en "Montaje del kit para rack de cuatro montantes" anteriormente en este documento.

Tendido de cables

Consulte "Tendido de cables" en "Montaje del kit de rack de cuatro montantes" anteriormente en este documento.

Ha completado el montaje del kit de rack en un rack de dos montantes.

Índice

C

- cables, 5-18
- contenido del kit VersaRails
 - lista de, 5-6
- contenido enumerado
 - kit RapidRails, 5-5
 - kit VersaRails, 5-6

E

- extensión para tendido de cables, 5-14
 - montar, 5-14, 5-29
 - tendido de cables, 5-18, 5-29

G

- guías verticales
 - marcar, 5-7
 - una unidad de rack, 5-7

H

- herramientas
 - kit de dos montantes, 5-20
- herramientas y suministros
 - kits de cuatro montantes, 5-5

I

- instrucciones de seguridad, 5-1

K

- kit de dos montantes
 - herramientas, 5-20
 - marcado del rack, 5-21
 - montaje del sistema, 5-29
 - montar extensión para tendido de cables, 5-29
 - montar los conjuntos deslizantes, 5-23
 - tareas, 5-20
 - tendido de cables, 5-29
- kit, contenido
 - RapidRails, 5-5
 - VersaRails, 5-6

M

- marcado del rack
 - kit de dos montantes, 5-21
 - kits de cuatro montantes, 5-7
- montaje del sistema
 - rack de cuatro montantes, 5-13
 - rack de dos montantes, 5-29

- montaje en rack
 - sistema, 5-13, 5-14

- montar
 - conjuntos deslizantes, 5-23
 - extensión para tendido de cables, 5-14, 5-29

P

- pie estabilizador para el rack, 5-4
- precauciones para el montaje en rack, 5-3
- puertas
 - colocar, 5-19
 - desmontar, 5-6

R

- RapidRails, contenido del kit, 5-5
- requisitos del rack para VersaRails, 5-3

T

tareas

- kit de dos montantes, 5-20

tendido, 5-18

tendido de cables, 5-17, 5-29

U

unidad de rack, 5-7

V

VersaRails

- kit, contenido, 5-6